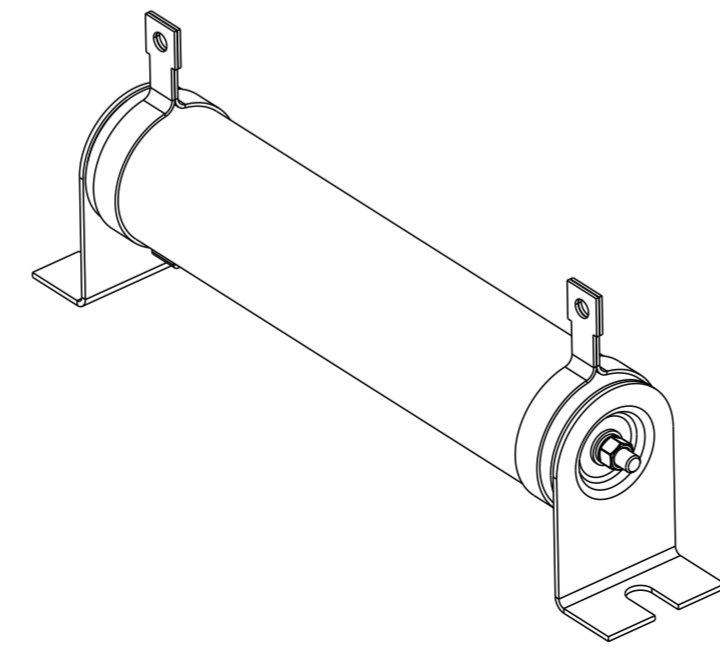
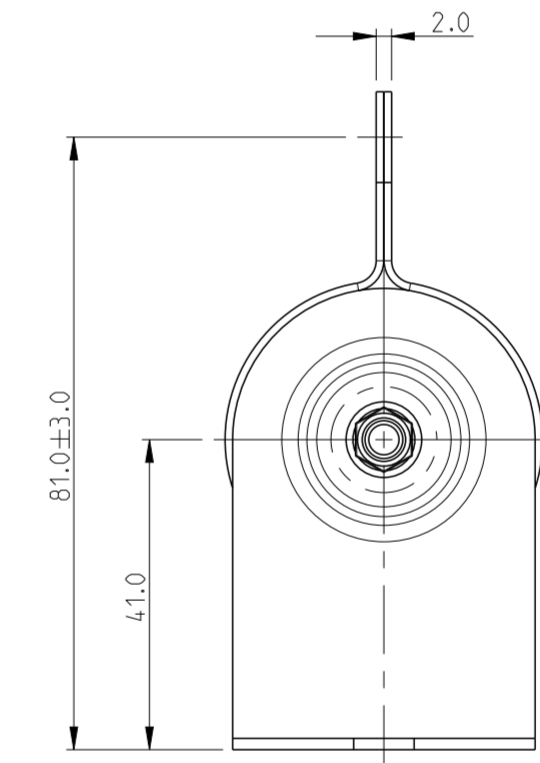
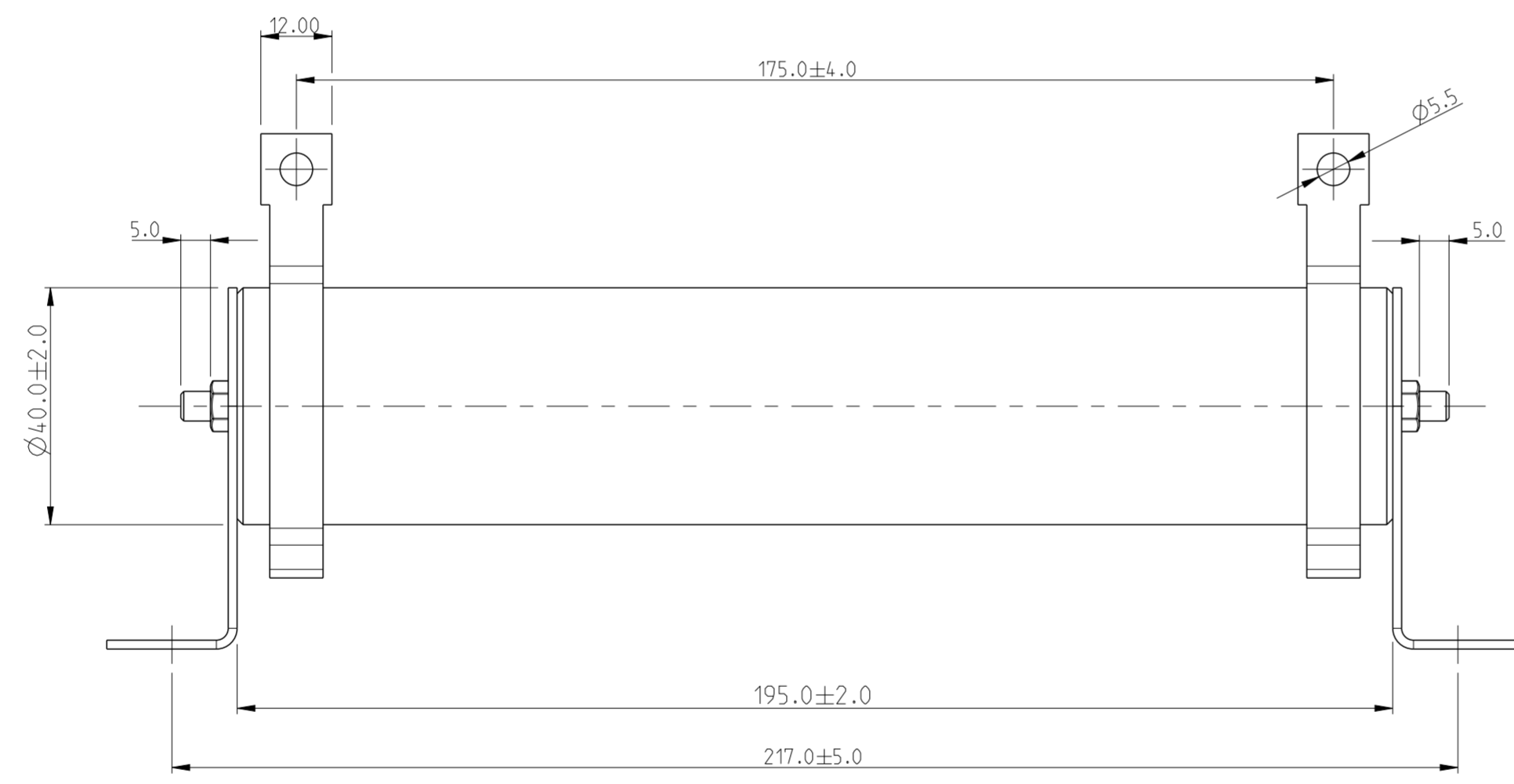
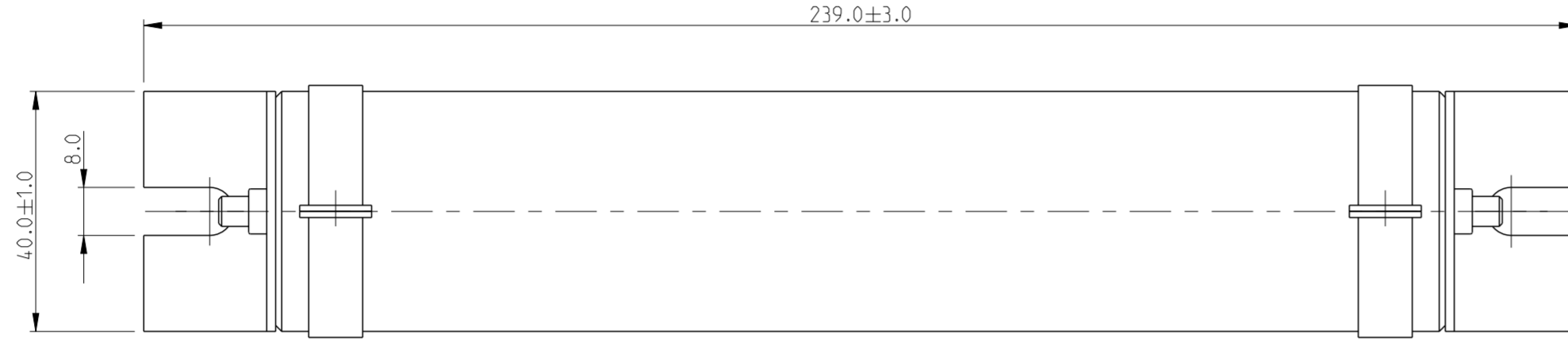



THIS DRAWING IS UNPUBLISHED. RELEASED FOR PUBLICATION 2011
 © COPYRIGHT 2011 BY TYCO ELECTRONICS CORPORATION ALL RIGHTS RESERVED.

| LOC | | DIST | | REVISIONS | | | |
|-----|-----|---------------|--|-----------|-----|------|--|
| P | LTR | DESCRIPTION | | DATE | DWN | APVD | |
| | BB | ECR-15-016499 | | 16NOV2015 | KR | TN | |

- NOTES:
1. POWER RATING: 200W
 2. INSULATION RESISTANCE: DC 500V - 20 M Ohms Min
 3. VOLTAGE RESISTABILITY: AC 2500V 1 MINUTE
 4. UP TO 9R1 RIBBED 10R UPWARD SMOOTH.
 5. TUBE BORE AND SIDE FACES SHOULD BE FREE OF PAINT
 6. PARTS SHALL BE BLANK, SMOOTH, FREE OF BURRS AND ALL OTHER FOREIGN MATERIAL
 7. FOR FURTHER INFORMATION SEE DATASHEET FOR TE SERIES HIGH POWER WIRE WOUND RESISTOR
 8. FOR SPECIFIC PART NUMBER, RESISTANCE VALUE AND TOLERANCE PLEASE REFER TO SMART PART SEARCH



RoHS Compliant

| | | | | |
|----------------------------------------|--------------|----------------------------|-------------------------------------------------------------------------------------------------------|-----------------|
| THIS DRAWING IS A CONTROLLED DOCUMENT. | | DWN PRASAD K 26SEP2011 |  TE Connectivity | |
| DIMENSIONS: mm | | CHK J.CATCHPOLE 26SEP2011 | | |
| TOLERANCES UNLESS OTHERWISE SPECIFIED: | | APVD J.CATCHPOLE 26SEP2011 | NAME HIGH POWER WIRE WOUND RESISTOR TE 200W SERIES | |
| 0 PLC ±0.5 | 1 PLC ±0.1 | PRODUCT SPEC | SIZE A2 | CAGE CODE 00779 |
| 2 PLC ±0.05 | 3 PLC ± | APPLICATION SPEC | DRAWING NO C-1879447 | RESTRICTED TO |
| 4 PLC ± | ANGLES ±0.5° | FINISH | WEIGHT - | SCALE 1:1 |
| MATERIAL - | | Customer Drawing | SHEET 1 OF 1 | REV BB |