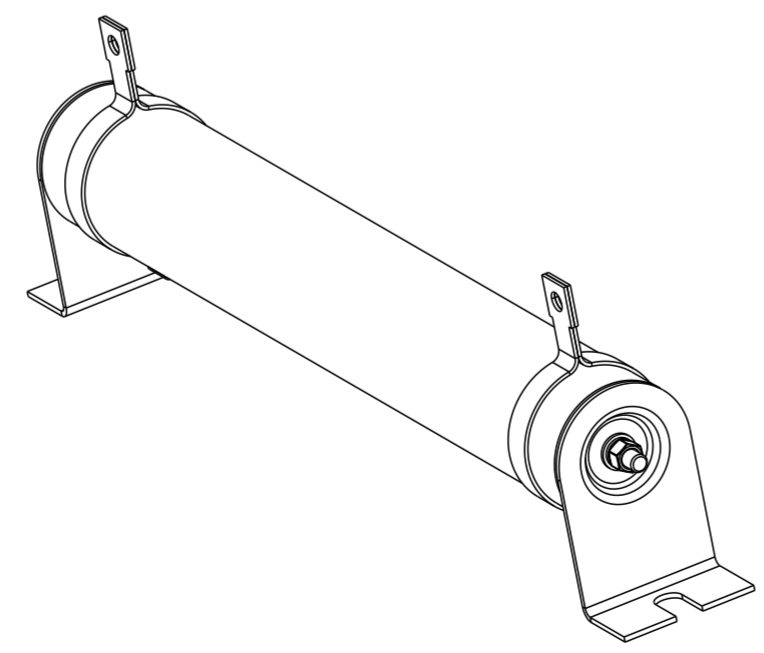
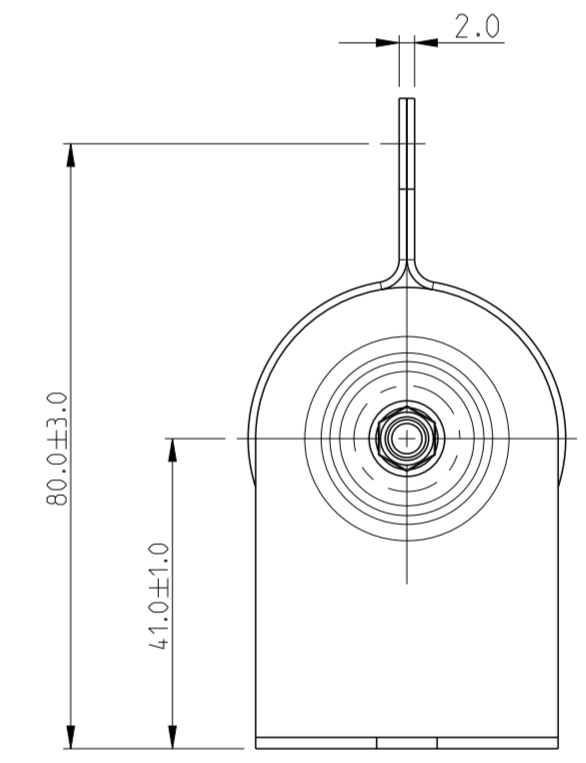
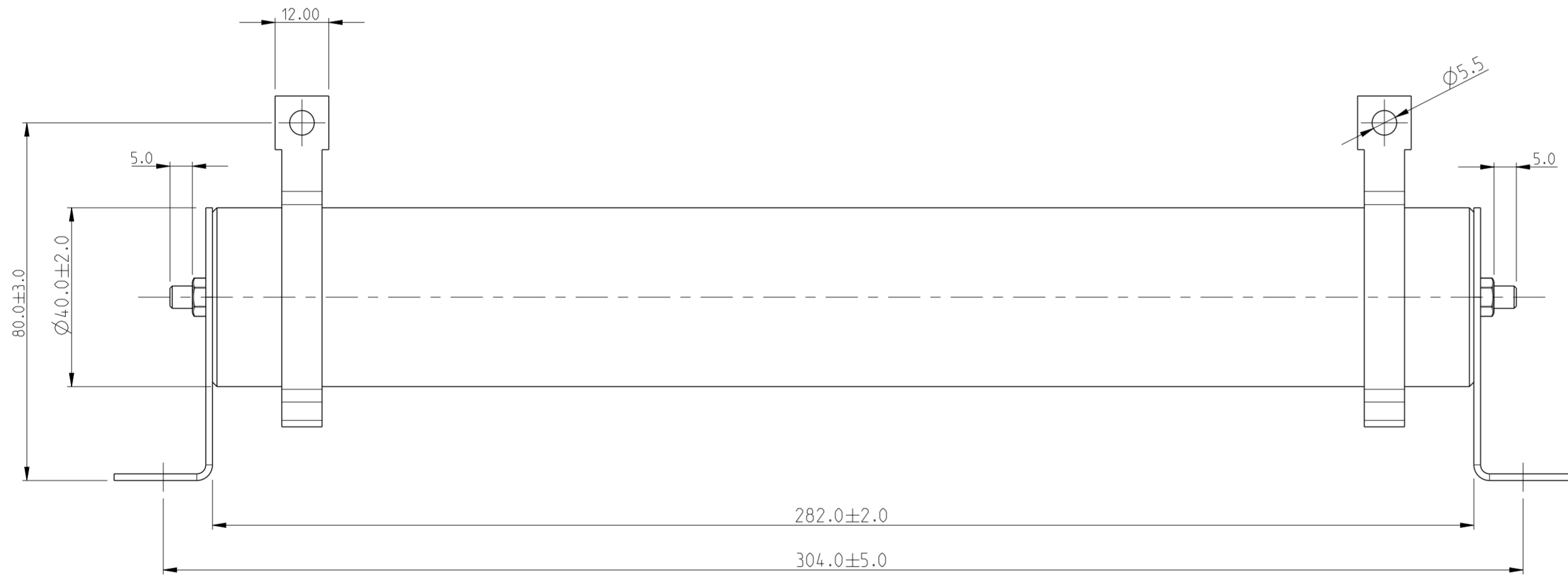
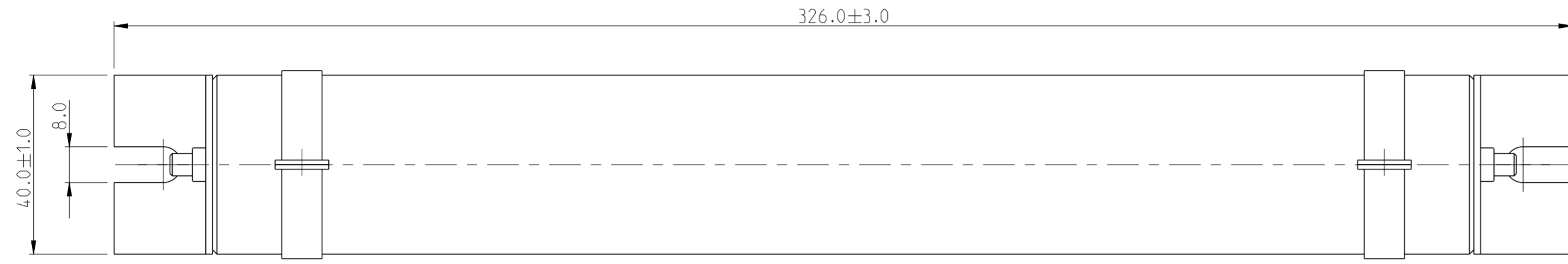



THIS DRAWING IS UNPUBLISHED. RELEASED FOR PUBLICATION 2011
 © COPYRIGHT 2011 BY TYCO ELECTRONICS CORPORATION ALL RIGHTS RESERVED.

LOC		DIST		REVISIONS			
P	LTR	DESCRIPTION		DATE	DWN	APVD	
	BB	ECR-15-016499		16NOV2015	KR	TN	

- NOTES:
1. POWER RATING: 300W
 2. INSULATION RESISTANCE: DC 500V - 20 M Ohms Min
 3. VOLTAGE RESISTABILITY: AC 2500V/1 MINUTE
 4. UP TO 9R1 RIBBED 10R UPWARD SMOOTH.
 5. TUBE BORE AND SIDE FACES SHOULD BE FREE OF PAINT
 6. PARTS SHALL BE BLANK, SMOOTH, FREE OF BURRS AND ALL OTHER FOREIGN MATERIAL
 7. FOR FURTHER INFORMATION SEE DATASHEET FOR TE SERIES HIGH POWER WIRE WOUND RESISTOR
 8. FOR SPECIFIC PART NUMBER, RESISTANCE VALUE AND TOLERANCE PLEASE REFER TO SMART PART SEARCH



RoHS Compliant

THIS DRAWING IS A CONTROLLED DOCUMENT.		DWN	06APR2012	 TE Connectivity			
DIMENSIONS: mm		CHK	06APR2012				
TOLERANCES UNLESS OTHERWISE SPECIFIED:		APVD	06APR2012				
0 PLC ±0.5 1 PLC ±0.1 2 PLC ±0.05 3 PLC ± 4 PLC ± ANGLES ±0.5° FINISH		NAME	HIGH POWER WIRE WOUND RESISTOR TYPE TE300 SERIES				
MATERIAL		PRODUCT SPEC	-	SIZE	CAGE CODE	DRAWING NO	RESTRICTED TO
-		APPLICATION SPEC	-	620 Gram	A2100779	C-1879448	-
-		WEIGHT	620 Gram	Customer Drawing	SCALE	1:1	SHEET 1 OF 1
-		Customer Drawing	SCALE	1:1	SHEET	1 OF 1	REV BB