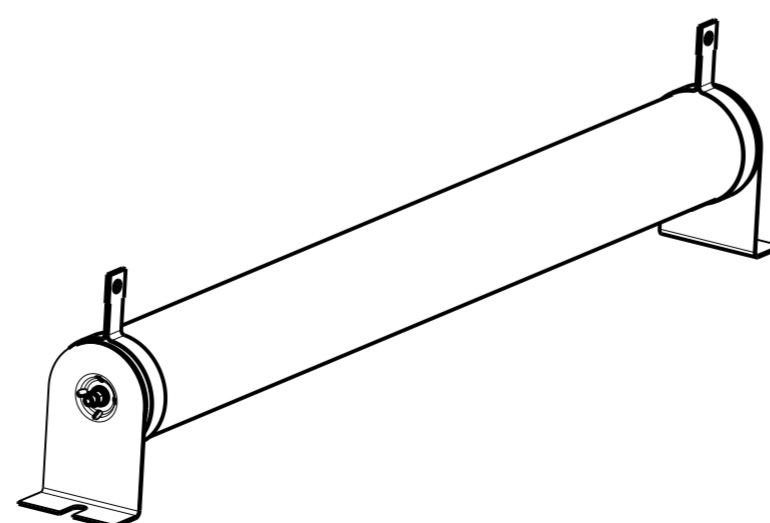
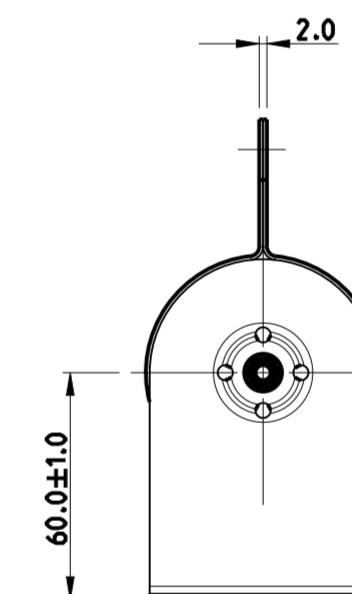
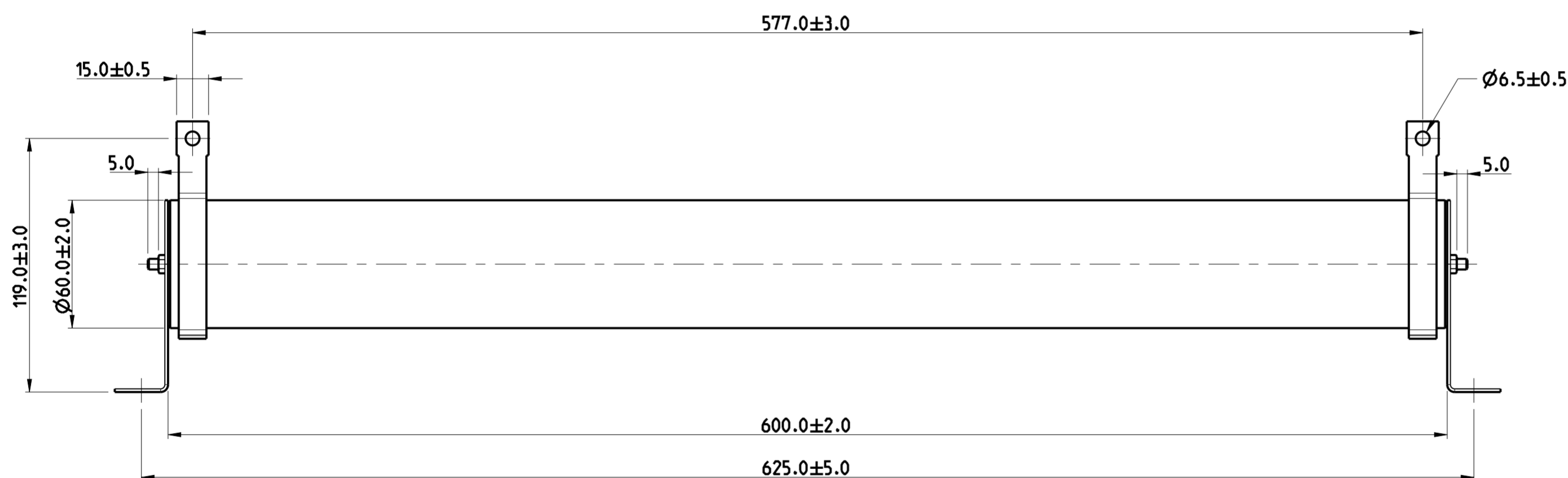
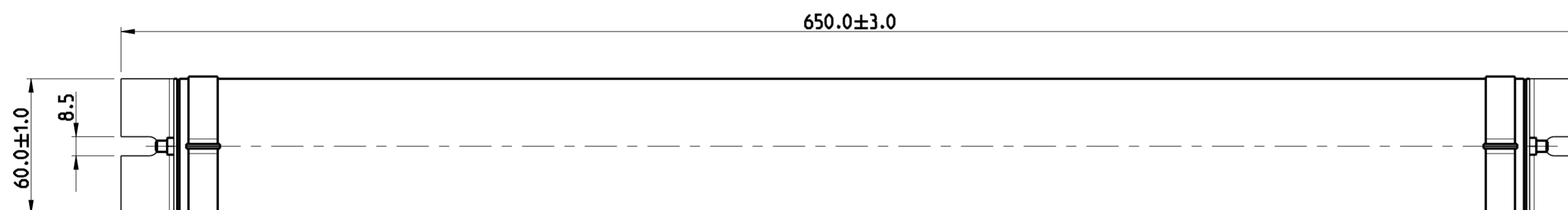


REVISIONS					
P	LTR	DESCRIPTION	DATE	DWN	APVD
BB		INITIAL RELEASE	19NOV2015	KR	TN
BB2		ECR-20-005102	04FEB2021	SR	AP


RESISTOR WITH BRACKETS

NOTES:

1. RATED POWER: 2500W
2. TEMPERATURE COEFFICIENT OF RESISTANCE: $< \pm 400 \text{ppm}/^\circ\text{C}$
3. INSULATION RESISTANCE DC 500V - 20 M Ohms MIN.
4. FAULT CONDITION: 11kW FOR 3 SECONDS
5. FOR FURTHER INFORMATION SEE DATASHEET FOR TE SERIES HIGH POWER WIRE WOUND RESISTOR
6. FOR SPECIFIC PART NUMBER, RESISTANCE VALUE AND TOLERANCE PLEASE REFER TO SMART PART SEARCH

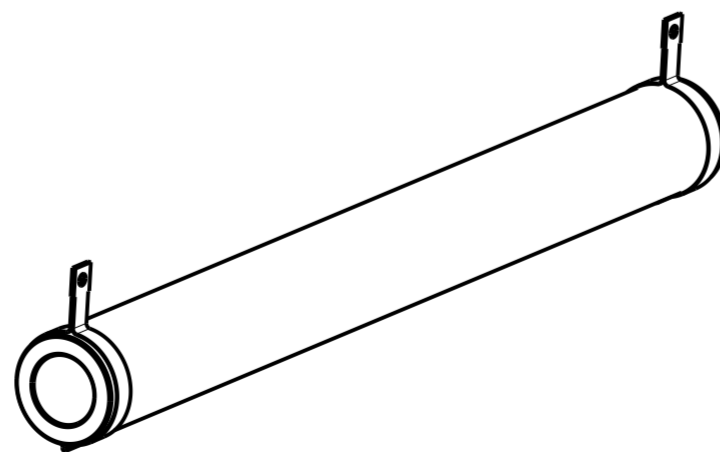
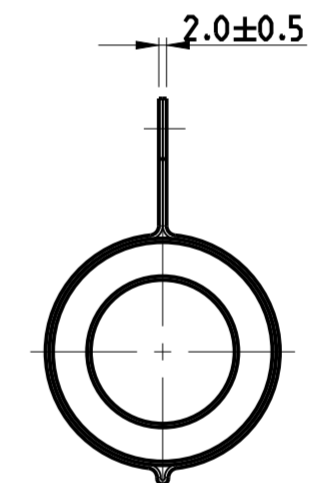
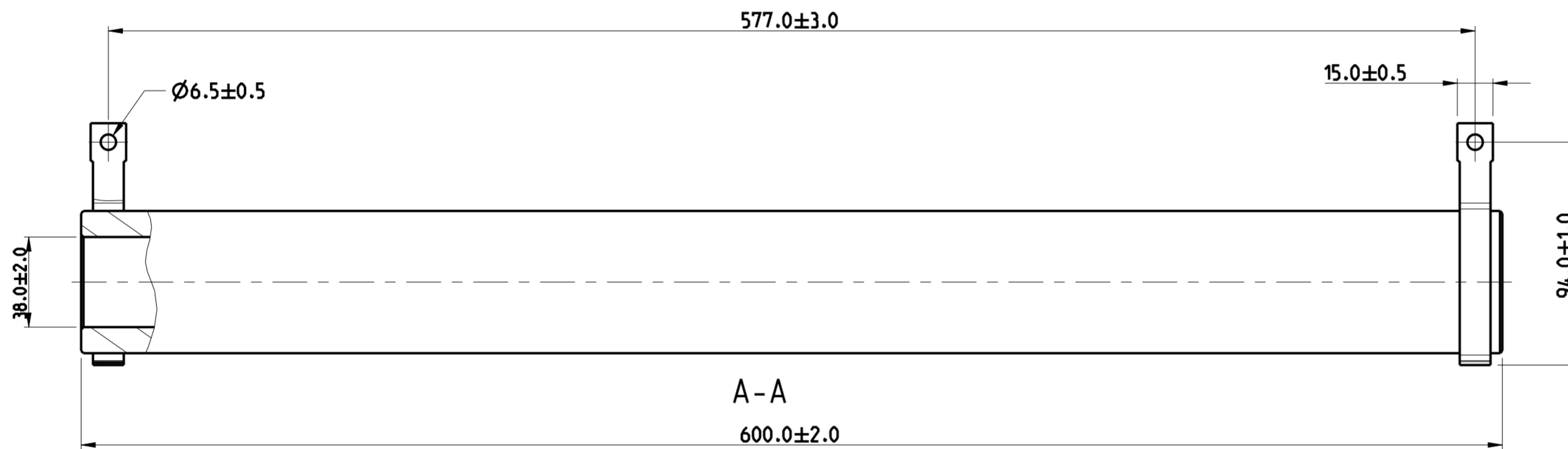
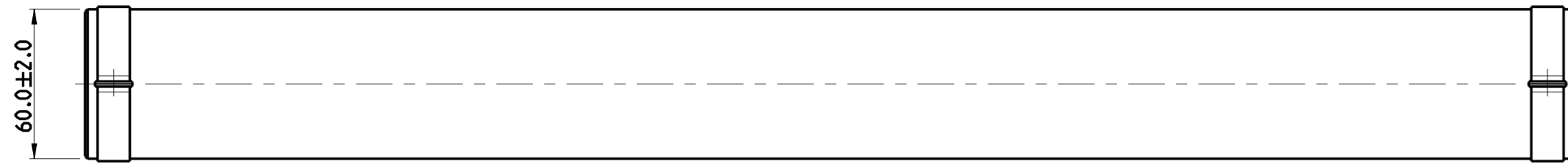


RoHS Compliant

THIS DRAWING IS A CONTROLLED DOCUMENT.		DWN RAGHAVENDRA K 16NOV2015	 TE Connectivity	
DIMENSIONS: mm		CHK ALLAN P 16NOV2015		
TOLERANCES UNLESS OTHERWISE SPECIFIED:		APVD TONY N 16NOV2015	NAME HIGH POWER WIRE WOUND RESISTOR	
0 PLC	±0.5	PRODUCT SPEC	TE 2500 SERIES	
1 PLC	±0.1	APPLICATION SPEC	SIZE	RESTRICTED TO
2 PLC	±0.05	WEIGHT	A2	
3 PLC	±	CUSTOMER DRAWING	CAGE CODE	DRAWING NO
4 PLC	±	SCALE	00779	C-1879457
ANGLES	±0.5°	SHEET	1	OF 2
FINISH	-	REV		BB2

REVISIONS					
P	LTR	DESCRIPTION	DATE	DWN	APVD
-		SEE SHEET 1	-	-	-

RESISTOR WITHOUT BRACKETS



RoHS Compliant

THIS DRAWING IS A CONTROLLED DOCUMENT.		DWN RAGHAVENDRA K 16NOV2015	TE Connectivity NAME HIGH POWER WIRE WOUND RESISTOR TE 2500 SERIES	
DIMENSIONS: mm 		CHK ALLAN P 16NOV2015		
TOLERANCES UNLESS OTHERWISE SPECIFIED: 0 PLC ±0.5 1 PLC ±0.1 2 PLC ±0.05 3 PLC ± 4 PLC ± ANGLES ±0.5° FINISH -		APVD TONY N 16NOV2015	SIZE A2 CAGE CODE 00779 DRAWING NO C-1879457 RESTRICTED TO	
MATERIAL		PRODUCT SPEC	SCALE 1:2	
		APPLICATION SPEC	SHEET 2 OF 2	
		WEIGHT	REV BB2	
		CUSTOMER DRAWING		