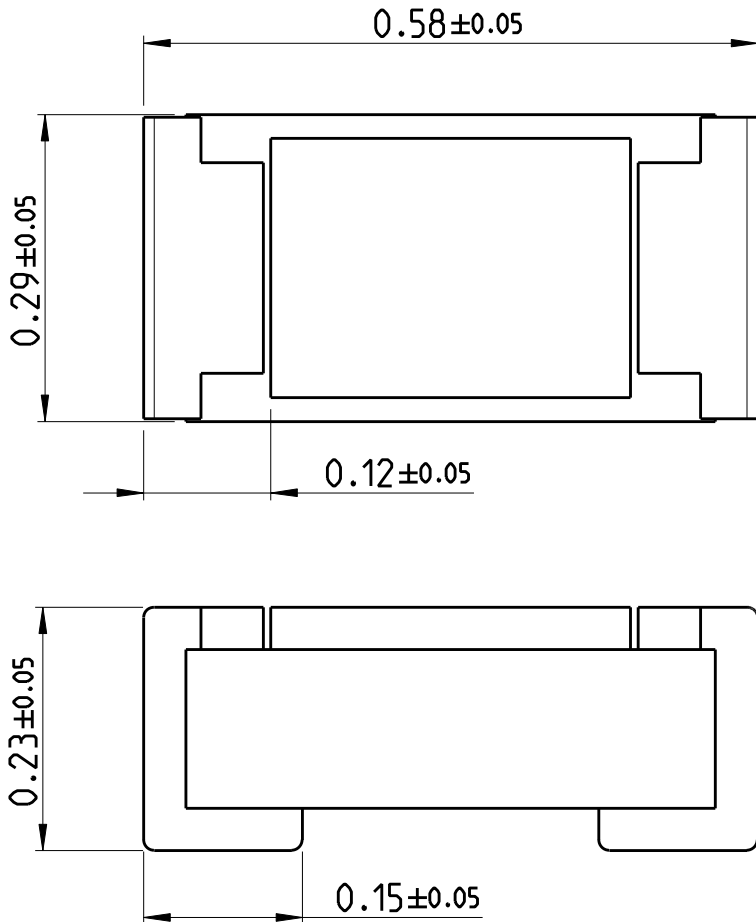
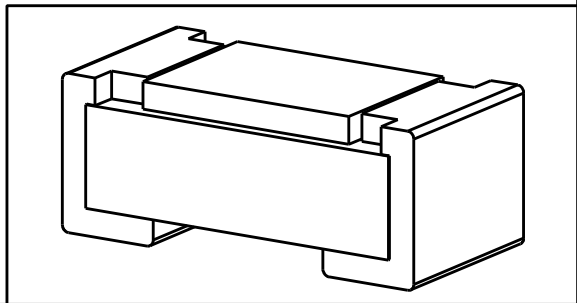


LOC	DIST	REVISIONS					
AI	-	P	LTR	DESCRIPTION	DATE	DWN	APVD
		BA		NEW DRAWING	07MAR2012	DMS	ST.P



FOR FURTHER INFORMATION SEE DATA SHEET FOR CURRENT SENSING CHIP RESISTOR - RL73 SERIES

RoHS Compliant




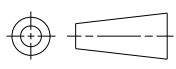
2011

RELEASED FOR PUBLICATION

ALL RIGHTS RESERVED.

THIS DRAWING IS UNPUBLISHED.

© COPYRIGHT 2011

DIMENSIONS:		DWN	07MAR2012	MATERIAL	FINISH		
mm		DARSHAN MS		-	-		
TOLERANCES UNLESS OTHERWISE SPECIFIED:		CHK	07MAR2012	 TE Connectivity			
0 PLC ±		ALLAN P					
1 PLC ±		APVD	07MAR2012	NAME SMD LOW OHMIC CURRENT SENSE RESISTOR RL73 (1H) SERIES			
2 PLC ±		STEPHEN.P					
3 PLC ±		PRODUCT SPEC		SIZE	CAGE CODE	DRAWING NO	RESTRICTED TO
4 PLC ±		APPLICATION SPEC		A 4	00779	C-1879458	-
ANGLES ±5°		WEIGHT		SCALE 1:1			SHEET 1 OF 1
		CUSTOMER DRAWING		REV BA			