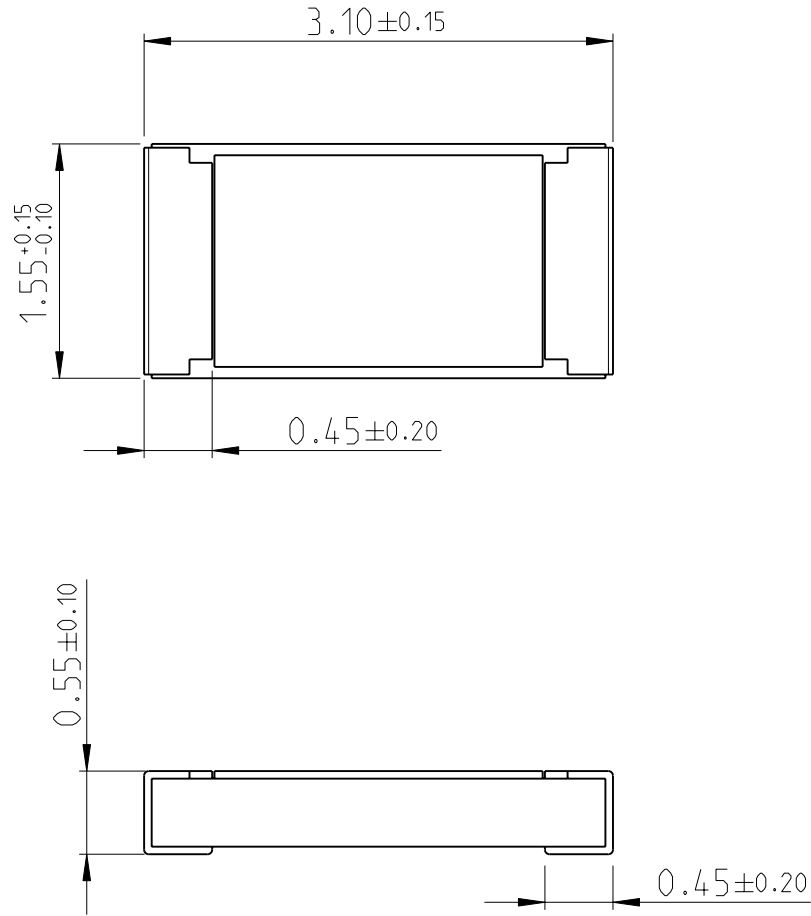
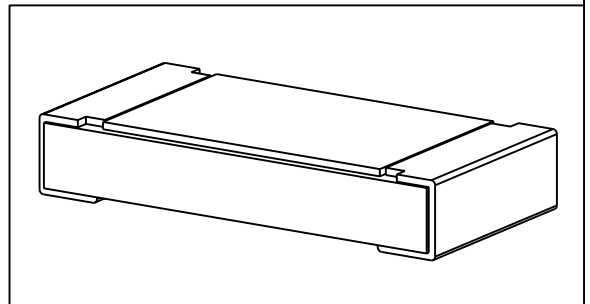


LOC	DIST	REVISIONS					
-	-	P	LTR	DESCRIPTION	DATE	DWN	APVD
		BA		NEW DRAWING	29JUN2012	KR	TN



FOR FURTHER INFORMATION SEE PRODUCT SPECIFICATION FOR CRGH SERIES

RoHS Compliant



20



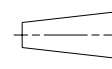
RELEASED FOR PUBLICATION

ALL RIGHTS RESERVED.

BY -

© COPYRIGHT 20

THIS DRAWING IS UNPUBLISHED.

DIMENSIONS:	DWN	29JUN2012	MATERIAL	FINISH				
mm	RAGHAVENDRA K		-	-				
TOLERANCES UNLESS OTHERWISE SPECIFIED:	CHK	29JUN2012	 TE Connectivity					
0 PLC \pm	ALLAN P							
1 PLC ± 0.5	APVD	29JUN2012	NAME SMD POWER RESISTORS - TYPE CRGH1206 SERIES					
2 PLC ± 0.13	TONY N							
3 PLC ± 0.013	PRODUCT SPEC	-	SIZE	CAGE CODE	DRAWING NO	RESTRICTED TO		
4 PLC ± 0.0001	APPLICATION SPEC	-	A 4	00779	C-1879497	-		
ANGLES \pm	WEIGHT	-	CUSTOMER DRAWING		SCALE	SHEET	OF	REV
 					20:1	1	1	BA