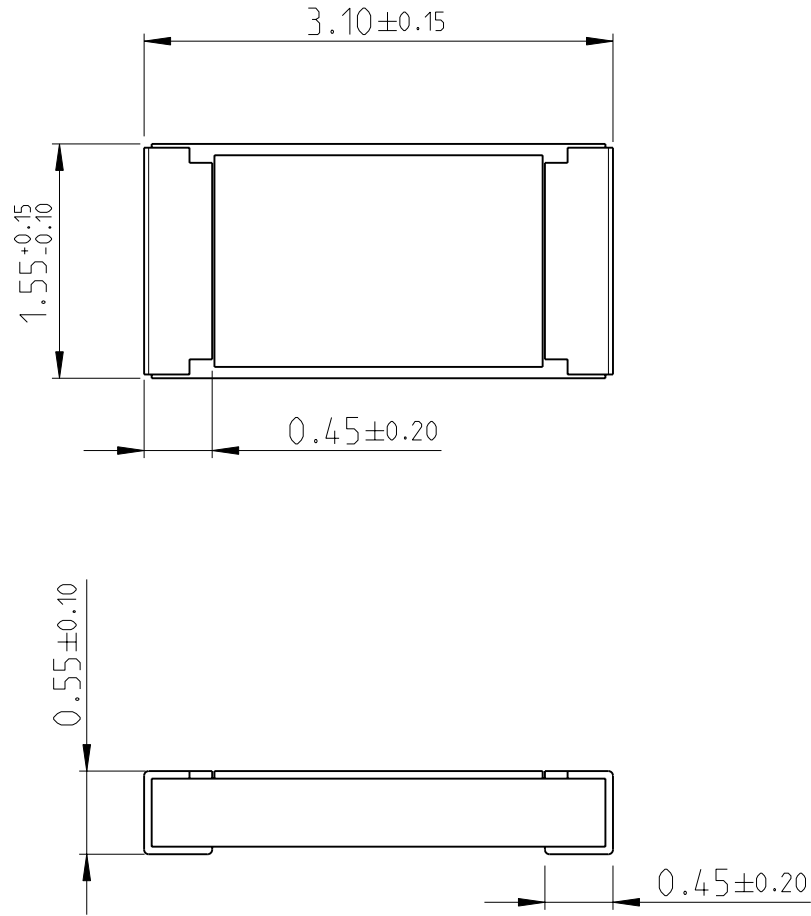
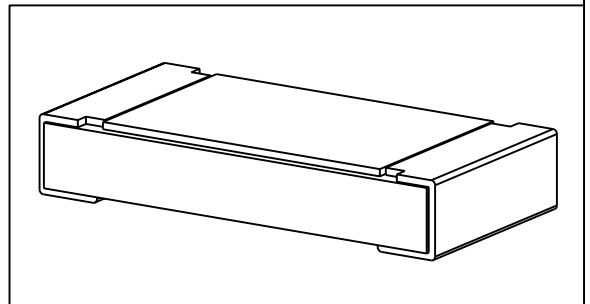


LOC	DIST	REVISIONS					
-	-	P	LTR	DESCRIPTION	DATE	DWN	APVD
		BA		NEW DRAWING	29JUN2012	KR	TN



FOR FURTHER INFORMATION SEE PRODUCT SPECIFICATION FOR CRGH SERIES

RoHS Compliant



20




RELEASED FOR PUBLICATION

ALL RIGHTS RESERVED.

BY -

© COPYRIGHT 20

THIS DRAWING IS UNPUBLISHED.

DIMENSIONS:		DWN	29JUN2012	MATERIAL	FINISH		
mm		RAGHAVENDRA K		-	-		
TOLERANCES UNLESS OTHERWISE SPECIFIED:		CHK	29JUN2012	 TE Connectivity			
0 PLC ±		ALLAN P					
1 PLC ±0.5		APVD	29JUN2012	NAME SMD POWER RESISTORS - TYPE CRGH1206 SERIES			
2 PLC ±0.13		TONY N					
3 PLC ±0.013		PRODUCT SPEC	-	SIZE	CAGE CODE	DRAWING NO	RESTRICTED TO
4 PLC ±0.0001		APPLICATION SPEC	-	A 4	00779	©-1879498	-
ANGLES ±		WEIGHT	-	CUSTOMER DRAWING			SCALE
 				20:1	SHEET	1 OF 1	REV
							BA