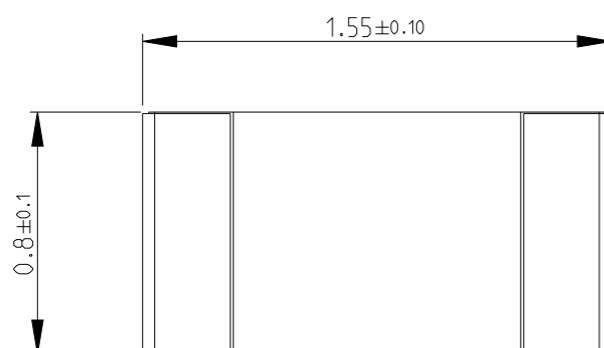
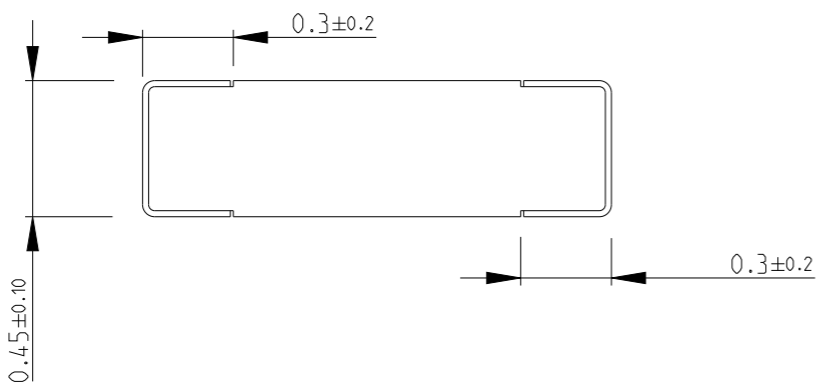


P	LTR	DESCRIPTION	DATE	DWN	APVD
	BA	NEW RELEASE	09AUG2011	PSK	JC

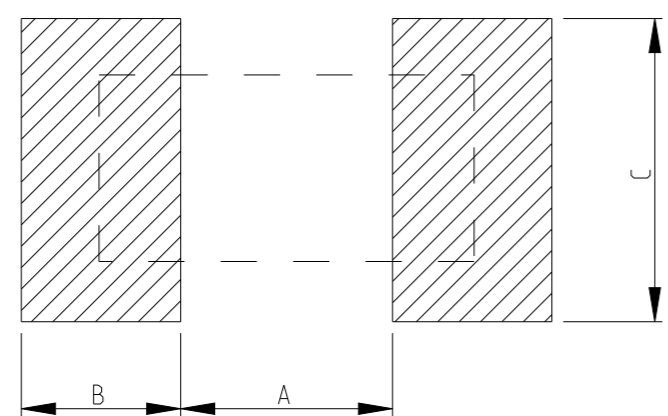


FOR FURTHER INFORMATION SEE DATA SHEET FOR RP73 SERIES-SMD HIGH POWER PRECISION RESISTORS

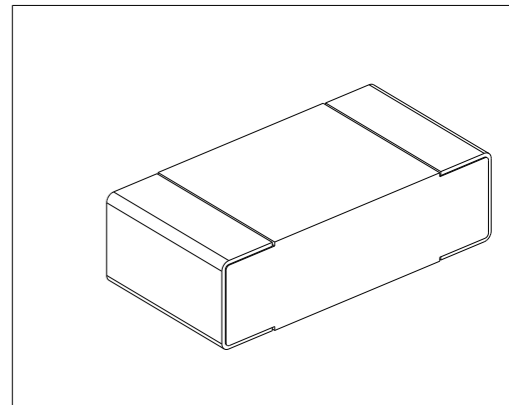


RoHS Compliant

RECOMMENDED LAND PATTERN



A (mm)	B (mm)	C (mm)
0.80	1.00	0.90±0.2




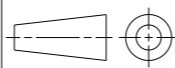
THIS DRAWING IS A CONTROLLED DOCUMENT.		DWN PRASAD K 09AUG2011		
DIMENSIONS: mm		CHK A. PILE 10AUG2011		
TOLERANCES UNLESS OTHERWISE SPECIFIED:		APVD J. CATCHPOLE 10AUG2011	NAME SMD HIGH POWER PRECISION RESISTORS TYPE RP73 1J SERIES	
		PRODUCT SPEC -	APPLICATION SPEC -	
0 PLC ±0.2 1 PLC ±0.1 2 PLC ± 3 PLC ± 4 PLC ± ANGLES ±5°		WEIGHT -	SIZE A3	CAGE CODE 00779
MATERIAL -		CUSTOMER DRAWING	DRAWING NO C-1879808	RESTRICTED TO -
FINISH -		SCALE 20:1	SHEET 1 OF 3	REV BA1

REVISIONS

P	LTR	DESCRIPTION	DATE	DWN	APVD
	-	SEE SHEET 1	-	-	-

SCHEDULE			
TCPN	CATALOGUE NUMBER	PART DESCRIPTION	PART STATUS
1879808-1	RP73D1J1K0BTD	RP 1J 1K0 0.1% 15PPM 5K RL	PRODUCTION
1879808-2	RP73D1J43K2BTD	RP 1J 43K2 0.1% 15PPM 5K RL	PRODUCTION
1879808-3	RP73D1J36R5BTD	RP 1J 36R5 0.1% 15PPM 5K RL	PRODUCTION
1879808-4	RP73D1J86K6BTD	RP 1J 86K6 0.1% 15PPM 5K RL	PRODUCTION
1879808-5	RP73D1J86K6BTDF	RP 1J 86K6 0.1% 15PPM 1K RL	PRODUCTION
1879808-6	RP73D1J37R4BTDF	RP 1J 37R4 0.1% 15PPM 1K RL	PRODUCTION
1879808-7	RP73D1J232RBTDF	RP 1J 232R 0.1% 15PPM 1K RL	PRODUCTION
1879808-8	RP73D1J14K7BTDF	RP 1J 14K7 0.1% 15PPM 1K RL	PRODUCTION
1879808-9	RP73D1J280RBTDF	RP 1J 280R 0.1% 15PPM 1K RL	PRODUCTION
1-1879808-0	RP73D1J301RBTDF	RP 1J 301R 0.1% 15PPM 1K RL	PRODUCTION
1-1879808-1	RP73D1J68R1BTDF	RP 1J 68R1 0.1% 15PPM 1K RL	PRODUCTION
1-1879808-2	RP73D1J1K1BTDF	RP 1J 1K1 0.1% 15PPM 1K RL	PRODUCTION
1-1879808-3	RP73D1J402RBTDF	RP 1J 402R 0.1% 15PPM 1K RL	PRODUCTION
1-1879808-4	RP73D1J10KBTD	RP 1J 10K 0.1% 15PPM 5K RL	PRODUCTION
1-1879808-5	RP73D1J118RBTDF	RP 1J 118R 0.1% 15PPM 5K RL	PRODUCTION
1-1879808-6	RP73D1J237RBTDF	RP 1J 237R 0.1% 15PPM 5K RL	PRODUCTION
1-1879808-7	RP73D1J49R9BTD	RP 1J 49R9 0.1% 15PPM 5K RL	PRODUCTION
1-1879808-8	RP73D1J18R2BTD	RP 1J 18R2 0.1% 15PPM 5K RL	PRODUCTION
1-1879808-9	RP73D1J511RBTDF	RP 1J 511R 0.1% 15PPM 1K RL	PRODUCTION
2-1879808-0	RP73D1J75KBTDF	RP 1J 75K 0.1% 15PPM 1K RL	PRODUCTION
2-1879808-1	RP73D1J82K5BTD	RP 1J 82K5 0.1% 15PPM 5K RL	PRODUCTION
2-1879808-2	RP73D1J36K5BTDF	RP 1J 36K5 0.1% 15PPM 1K RL	PRODUCTION
2-1879808-3	RP73D1J340RBTDF	RP 1J 340R 0.1% 15PPM 5K RL	PRODUCTION
2-1879808-4	RP73D1J118RBTDF	RP 1J 118R 0.1% 15PPM 1K RL	PRODUCTION
2-1879808-5	RP73D1J143RBTDF	RP 1J 143R 0.1% 15PPM 1K RL	PRODUCTION
2-1879808-6	RP73D1J28K7BTDF	RP 1J 28K7 0.1% 15PPM 1K RL	PRODUCTION
2-1879808-7	RP73D1J4R75BTDF	RP 1J 4R75 0.1% 15PPM 1K RL	PRODUCTION
2-1879808-8	RP73D1J40R2BTDF	RP 1J 40R2 0.1% 15PPM 1K RL	PRODUCTION
2-1879808-9	RP73D1J10KBTD	RP 1J 10K 0.1% 15PPM 1K RL	PRODUCTION
3-1879808-0	RP73D1J20KBTD	RP 1J 20K 0.1% 15PPM 1K RL	PRODUCTION

SCHEDULE			
TCPN	CATALOGUE NUMBER	PART DESCRIPTION	PART STATUS
3-1879808-1	RP73D1J11K5BTDF	RP 1J 0.1W 11K5 0.1% 15PPM 1K RL	PRODUCTION
3-1879808-2	RP73D1J11RBTDF	RP 1J 0.1W 11R 0.1% 15PPM 1K RL	PRODUCTION
3-1879808-3	RP73D1J158RBTDF	RP 1J 0.1W 158R 0.1% 15PPM 1K RL	PRODUCTION
3-1879808-4	RP73D1J42K2BTDF	RP 1J 0.1W 42K2 0.1% 15PPM 1K RL	PRODUCTION
3-1879808-5	RP73D1J787RBTDF	RP 1J 0.1W 787R 0.1% 15PPM 1K RL	PRODUCTION
3-1879808-6	RP73D1J866RBTDF	RP 1J 0.1W 866R 0.1% 15PPM 1K RL	PRODUCTION
3-1879808-7	RP73D1J887RBTDF	RP 1J 0.1W 887R 0.1% 15PPM 1K RL	PRODUCTION
3-1879808-8	RP73D1J10RBTDF	RP 1J 0.1W 10R 0.1% 15PPM 1K RL	PRODUCTION
3-1879808-9	RP73D1J287RBTDF	RP 1J 0.1W 287R 0.1% 15PPM 1K RL	PRODUCTION
4-1879808-0	RP73D1J28KBTDF	RP 1J 0.1W 28K 0.1% 15PPM 1K RL	PRODUCTION
4-1879808-1	RP73D1J536RBTDF	RP 1J 0.1W 536R 0.1% 15PPM 1K RL	PRODUCTION
4-1879808-2	RP73D1J953RBTDF	RP 1J 0.1W 953R 0.1% 15PPM 1K RL	PRODUCTION
4-1879808-3	RP73D1J110KBTD	RP 1J 0.1W 110K 0.1% 15PPM 5K RL	PRODUCTION
4-1879808-4	RP73D1J374RBTDF	RP 1J 0.1W 374R 0.1% 15PPM 1K RL	PRODUCTION
4-1879808-5	RP73D1J340KBTDF	RP 1J 0.1W 340K 0.1% 15PPM 1K RL	PRODUCTION
4-1879808-6	RP73D1J348KBTDF	RP 1J 0.1W 348K 0.1% 15PPM 1K RL	PRODUCTION
4-1879808-7	RP73D1J357KBTDF	RP 1J 0.1W 357K 0.1% 15PPM 1K RL	PRODUCTION
4-1879808-8	RP73D1J365KBTDF	RP 1J 0.1W 365K 0.1% 15PPM 1K RL	PRODUCTION
4-1879808-9	RP73D1J374KBTDF	RP 1J 0.1W 374K 0.1% 15PPM 1K RL	PRODUCTION
5-1879808-0	RP73D1J383KBTDF	RP 1J 0.1W 383K 0.1% 15PPM 1K RL	PRODUCTION
5-1879808-1	RP73D1J392KBTDF	RP 1J 0.1W 392K 0.1% 15PPM 1K RL	PRODUCTION
5-1879808-2	RP73D1J402KBTDF	RP 1J 0.1W 402K 0.1% 15PPM 1K RL	PRODUCTION
5-1879808-3	RP73D1J412KBTDF	RP 1J 0.1W 412K 0.1% 15PPM 1K RL	PRODUCTION
5-1879808-4	RP73D1J422KBTDF	RP 1J 0.1W 422K 0.1% 15PPM 1K RL	PRODUCTION
5-1879808-5	RP73D1J432KBTDF	RP 1J 0.1W 432K 0.1% 15PPM 1K RL	PRODUCTION
5-1879808-6	RP73D1J442KBTDF	RP 1J 0.1W 442K 0.1% 15PPM 1K RL	PRODUCTION
5-1879808-7	RP73D1J453KBTDF	RP 1J 0.1W 453K 0.1% 15PPM 1K RL	PRODUCTION
5-1879808-8	RP73D1J464KBTDF	RP 1J 0.1W 464K 0.1% 15PPM 1K RL	PRODUCTION
5-1879808-9	RP73D1J475KBTDF	RP 1J 0.1W 475K 0.1% 15PPM 1K RL	PRODUCTION
6-1879808-0	RP73D1J487KBTDF	RP 1J 0.1W 487K 0.1% 15PPM 1K RL	PRODUCTION


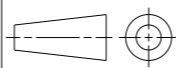
THIS DRAWING IS A CONTROLLED DOCUMENT.		DWN PRASAD K 09AUG2011	 TE Connectivity NAME SMD HIGH POWER PRECISION RESISTORS TYPE RP73 1J SERIES				
DIMENSIONS: mm		CHK A. PILE 10AUG2011					
		APVD J. CATCHPOLE 10AUG2011					
TOLERANCES UNLESS OTHERWISE SPECIFIED:		PRODUCT SPEC -					
MATERIAL -		APPLICATION SPEC -	SIZE A3	CAGE CODE 00779	DRAWING NO C-1879808	RESTRICTED TO -	
FINISH -		WEIGHT -	CUSTOMER DRAWING		SCALE 20:1	SHEET 2 OF 3	REV BA1

REVISIONS

P	LTR	DESCRIPTION	DATE	DWN	APVD
-		SEE SHEET 1	-	-	-

SCHEDULE

TCPN	CATALOGUE NUMBER	PART DESCRIPTION	PART STATUS
6-1879808-1	RP73D1J499KBTFD	RP 1J 0.1W 499K 0.1% 15PPM 1K RL	PRODUCTION
6-1879808-2	RP73D1J511KBTFD	RP 1J 0.1W 511K 0.1% 15PPM 1K RL	PRODUCTION
6-1879808-3	RP73D1J340KBTD	RP 1J 0.1W 340K 0.1% 15PPM 5K RL	PRODUCTION
6-1879808-4	RP73D1J348KBTD	RP 1J 0.1W 348K 0.1% 15PPM 5K RL	PRODUCTION
6-1879808-5	RP73D1J357KBTD	RP 1J 0.1W 357K 0.1% 15PPM 5K RL	PRODUCTION
6-1879808-6	RP73D1J365KBTD	RP 1J 0.1W 365K 0.1% 15PPM 5K RL	PRODUCTION
6-1879808-7	RP73D1J374KBTD	RP 1J 0.1W 374K 0.1% 15PPM 5K RL	PRODUCTION
6-1879808-8	RP73D1J383KBTD	RP 1J 0.1W 383K 0.1% 15PPM 5K RL	PRODUCTION
6-1879808-9	RP73D1J392KBTD	RP 1J 0.1W 392K 0.1% 15PPM 5K RL	PRODUCTION
7-1879808-0	RP73D1J402KBTD	RP 1J 0.1W 402K 0.1% 15PPM 5K RL	PRODUCTION
7-1879808-1	RP73D1J412KBTD	RP 1J 0.1W 412K 0.1% 15PPM 5K RL	PRODUCTION
7-1879808-2	RP73D1J422KBTD	RP 1J 0.1W 422K 0.1% 15PPM 5K RL	PRODUCTION
7-1879808-3	RP73D1J432KBTD	RP 1J 0.1W 432K 0.1% 15PPM 5K RL	PRODUCTION
7-1879808-4	RP73D1J442KBTD	RP 1J 0.1W 442K 0.1% 15PPM 5K RL	PRODUCTION
7-1879808-5	RP73D1J453KBTD	RP 1J 0.1W 453K 0.1% 15PPM 5K RL	PRODUCTION
7-1879808-6	RP73D1J464KBTD	RP 1J 0.1W 464K 0.1% 15PPM 5K RL	PRODUCTION
7-1879808-7	RP73D1J475KBTD	RP 1J 0.1W 475K 0.1% 15PPM 5K RL	PRODUCTION
7-1879808-8	RP73D1J487KBTD	RP 1J 0.1W 487K 0.1% 15PPM 5K RL	PRODUCTION
7-1879808-9	RP73D1J499KBTD	RP 1J 0.1W 499K 0.1% 15PPM 5K RL	PRODUCTION
8-1879808-0	RP73D1J511KBTD	RP 1J 0.1W 511K 0.1% 15PPM 5K RL	PRODUCTION
8-1879808-1	RP73D1J665RBTFD	RP 1J 0.1W 665R 0.1% 15PPM 1K RL	PRODUCTION
8-1879808-2	RP73D1J13KBTFD	RP 1J 0.1W 13K 0.1% 15PPM 1K RL	PRODUCTION
8-1879808-3	RP73D1J15RBTD	RP 1J 0.1W 15R 0.1% 15PPM 5K RL	PRODUCTION

THIS DRAWING IS A CONTROLLED DOCUMENT.		DWN PRASAD K 09AUG2011	 TE Connectivity	
DIMENSIONS: mm		CHK A. PILE 10AUG2011		
		APVD J. CATCHPOLE 10AUG2011	NAME SMD HIGH POWER PRECISION RESISTORS TYPE RP73 1J SERIES	
TOLERANCES UNLESS OTHERWISE SPECIFIED:		PRODUCT SPEC -	RESTRICTED TO -	
0 PLC ±0.2		APPLICATION SPEC -	SIZE A3	CAGE CODE 00779
1 PLC ±0.1		WEIGHT -	DRAWING NO C-1879808	SCALE 20:1
2 PLC ±-		CUSTOMER DRAWING	SHEET 3 OF 3	REV BA1
3 PLC ±-				
4 PLC ±-				
ANGLES ±5°				
FINISH -				
MATERIAL -				