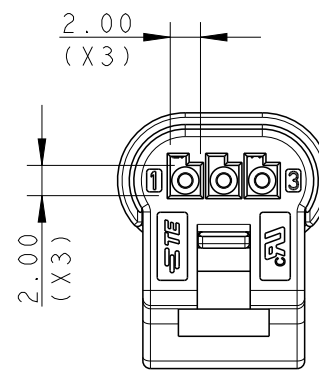
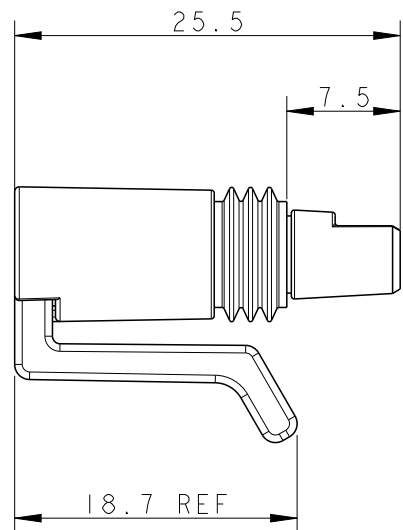
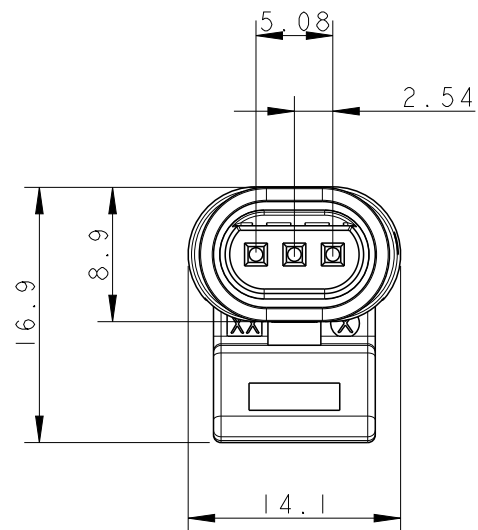


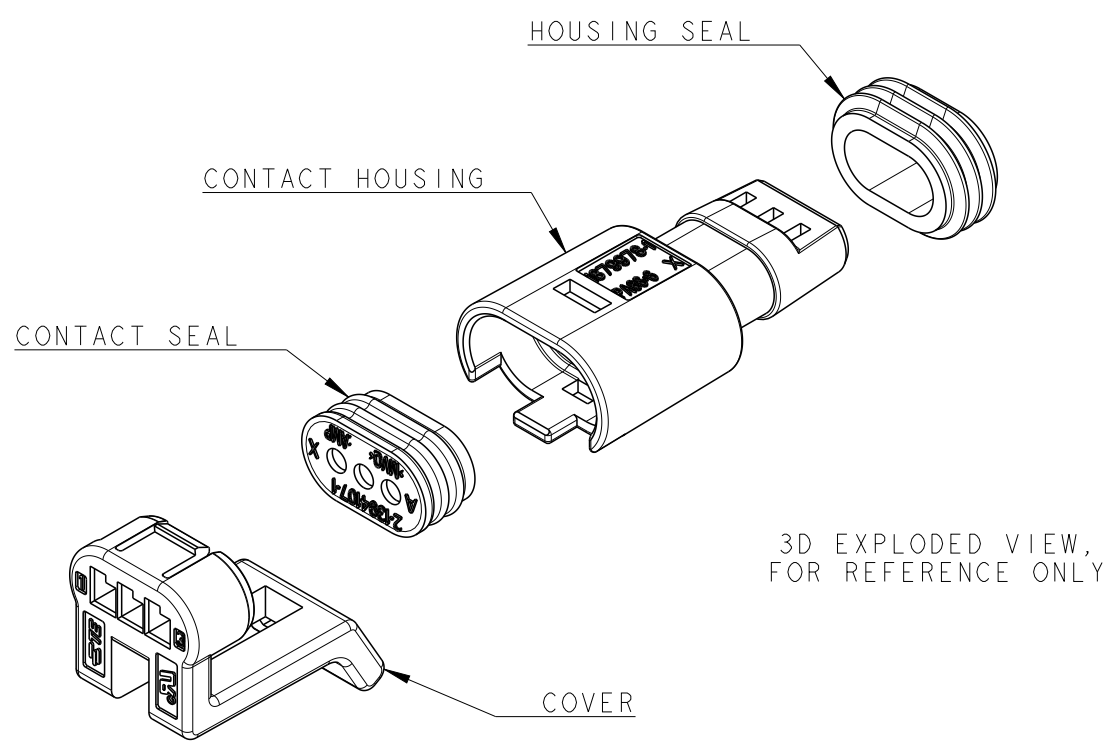
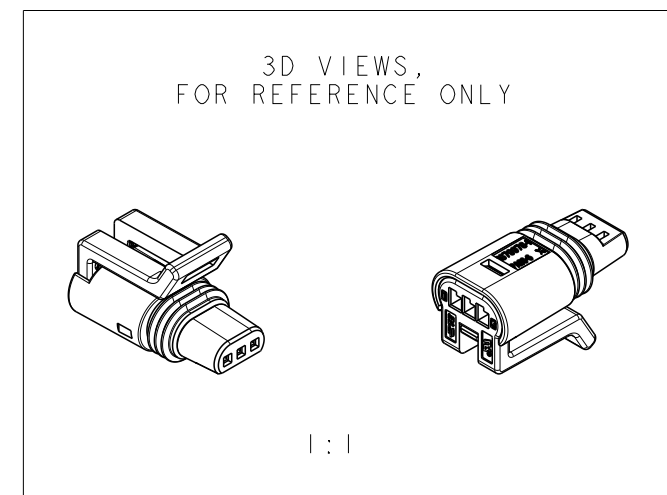
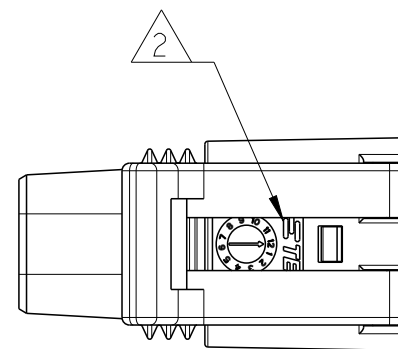
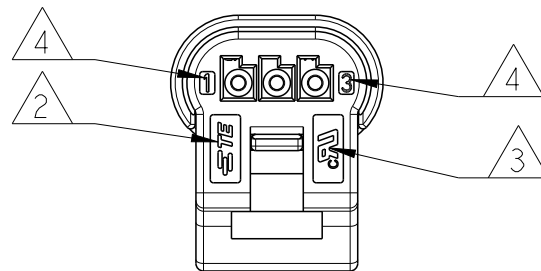
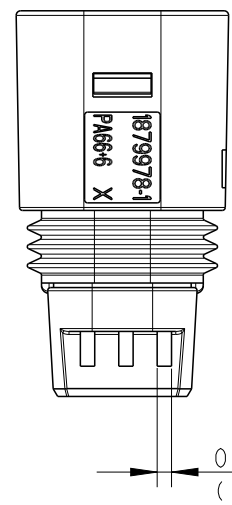
THIS DRAWING IS UNPUBLISHED. RELEASED FOR PUBLICATION 2012  
 © COPYRIGHT 2012 Tyco Electronics UK Ltd ALL RIGHTS RESERVED.

LOC GB DIST -

REVISIONS					
P	LTR	DESCRIPTION	DATE	DWN	APVD
B		GAP REDUCED BETWEEN BOTH HOUSINGS	30JAN2013	SM	JC
B1		ADDED NOTE 5	26JUL2013	KR	JC
B2		ADDED UL LOGO	09APR2014	KR	JC
C		MODIFIED RETENTION FEATURES	25JAN2016	MZ	MZ



- NOTES:
- 1) PACKAGING: SEE TE SPEC. 107-85770-1
  - 2) TE LOGO
  - 3) AREA FOR AGENCY APPROVAL LOGO
  - 4) SIGNAL CODES



THIS DRAWING IS A CONTROLLED DOCUMENT.

DIMENSIONS:	TOLERANCES UNLESS OTHERWISE SPECIFIED:
mm	
	0 PLC ±
	1 PLC ±0.3
	2 PLC ±0.15
	3 PLC ±
	4 PLC ±
	ANGLES ±3°
MATERIAL -	FINISH -

DWN	M. ZUCCA	20JUN2012
CHK	M. ZUCCA	20JUN2012
APVD	J. CATCHPOLE	20JUN2012
PRODUCT SPEC	108-111047	
APPLICATION SPEC	114-111000	
WEIGHT	-	

<b>STE</b> TE Connectivity			
NAME MINI SUPERSEAL ASSEMBLY CONNECTOR			
SIZE	CAGE CODE	DRAWING NO	RESTRICTED TO
A3	00779	C-1879980	-

Customer Drawing SCALE 2:1 SHEET 1 OF 1 REV C