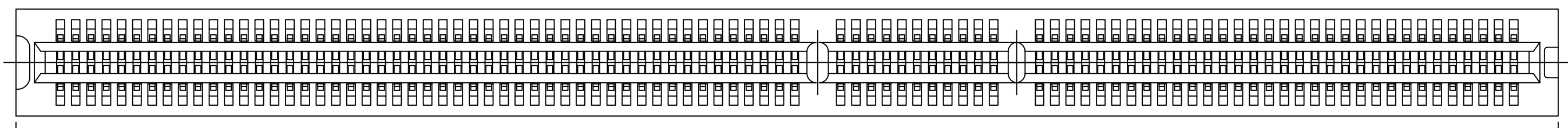
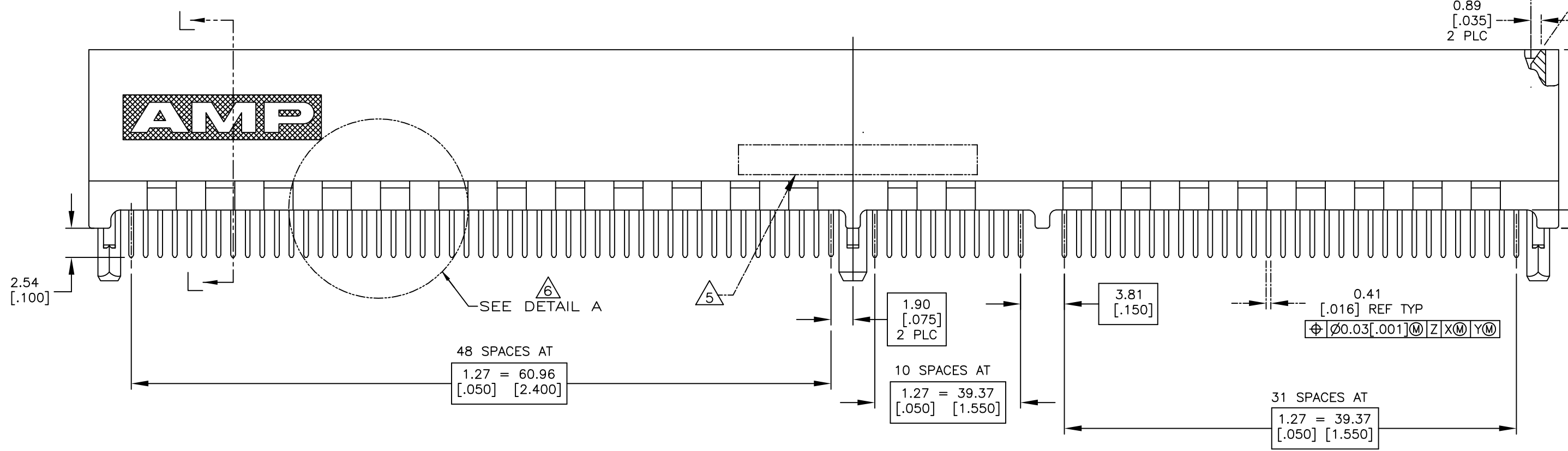


REVISIONS					
P	L/R	DESCRIPTION	DATE	OWN	APP'D
B		ECO-18-017215	03DEC2018	FL	HL



128.02
[5.040]
-X-

- 1 HOUSING: HIGH TEMPERATURE THERMOPLASTIC. COLOR - NATURAL
- 2 CONTACT: PHOSPHOR BRONZE.
- 3 CONTACT FINISH: .001269[.000050] MIN NICKEL ALL OVER. .000757[.000030] MIN GOLD OVER NICKEL IN CONTACT AREA. .000025[.000001] MIN GOLD FLASH OVER NICKEL ON SOLDER TAILS
- 4 DISTANCE FROM CONTACT POINT TO BOTTOM OF CARD SLOT.
- 5 TYCO PART NUMBER, DATE CODE AND CSA LOGO MARKED IN APPROXIMATE LOCATION SHOWN.
- 6 CORED OR SOLID SIDE WALLS ARE AT DISCRETION OF TYCO ELECTRONICS



2.54
[.100]

48 SPACES AT
1.27 = 60.96
[.050] [2.400]

1.90
[.075]
2 PLC

10 SPACES AT
1.27 = 39.37
[.050] [1.550]

3.81
[.150]

0.41
[.016] REF TYP
⊕∅0.03[.001]ⓂZ XⓂ YⓂ

31 SPACES AT
1.27 = 39.37
[.050] [1.550]

0.89
[.035]
2 PLC

35°
2 PLC

15.56±0.05
[.613±0.002]

1.60±0.08
[.063±0.003]

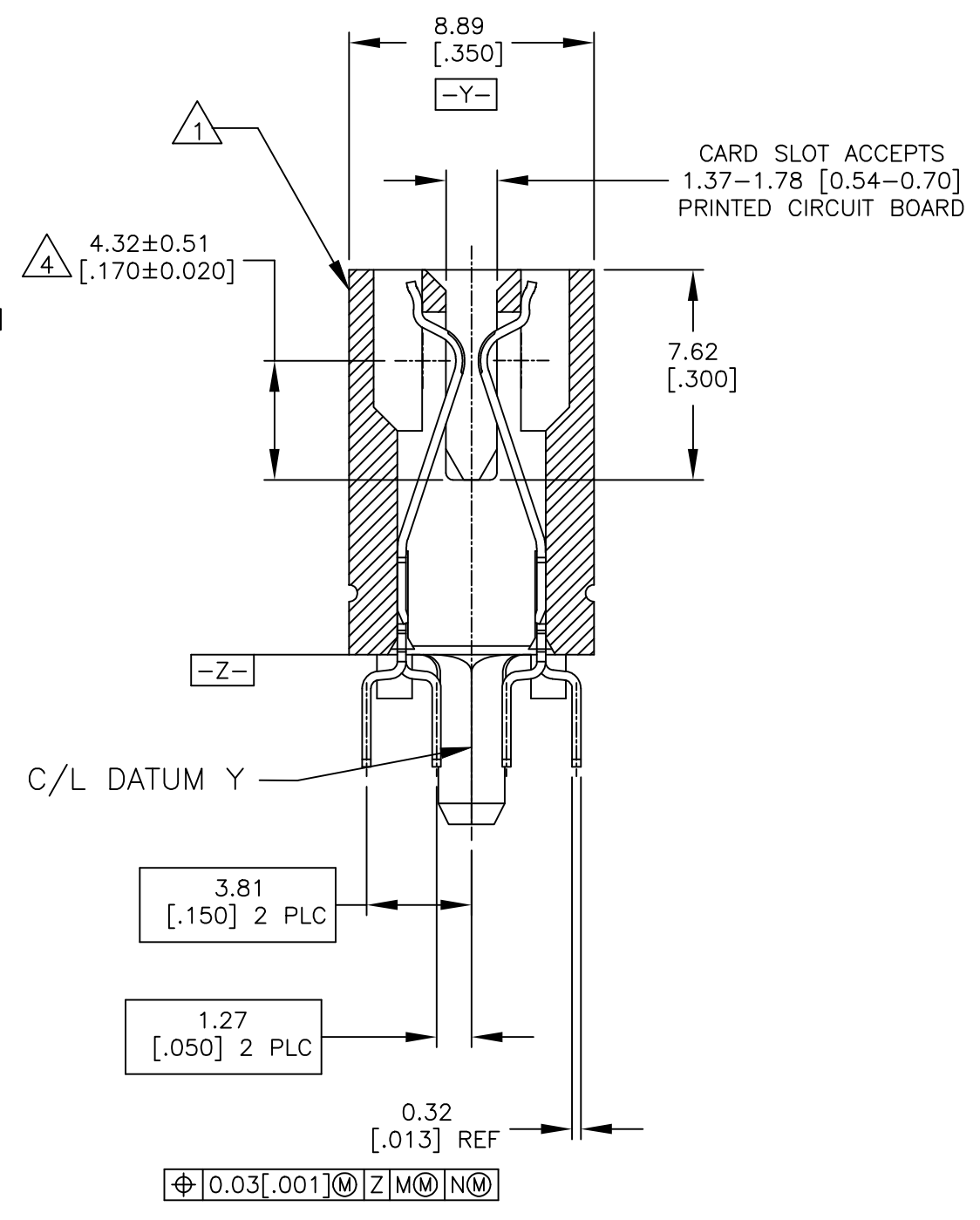
4.32±0.51
[.170±0.020]

C/L DATUM Y

3.81
[.150] 2 PLC

1.27
[.050] 2 PLC

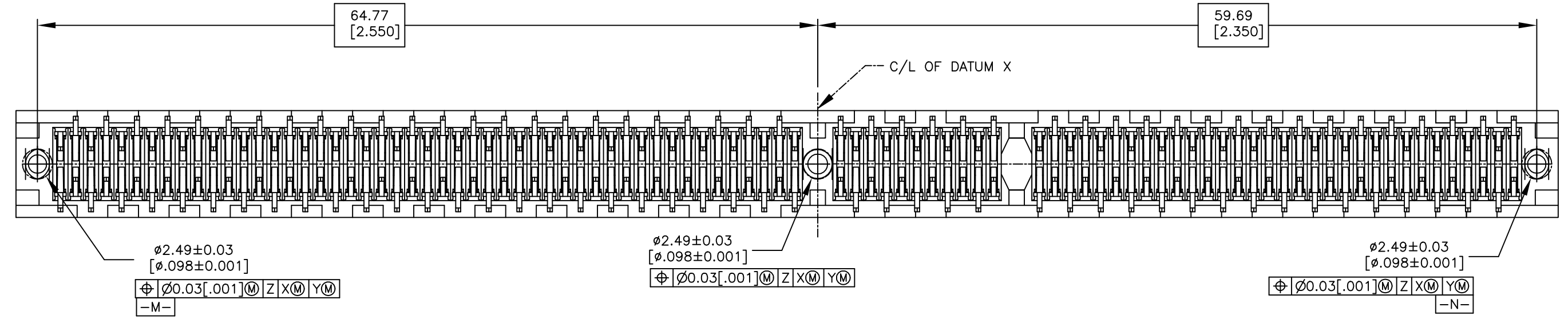
0.32
[.013] REF
⊕∅0.03[.001]ⓂZ MⓂ NⓂ



CARD SLOT ACCEPTS
1.37-1.78 [0.54-0.70]
PRINTED CIRCUIT BOARD

8.89
[.350]
-Y-

7.62
[.300]



64.77
[2.550]

59.69
[2.350]

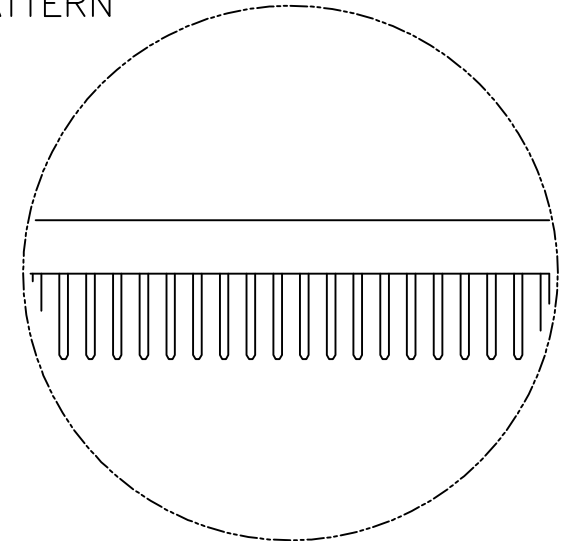
C/L OF DATUM X

∅2.49±0.03
[∅.098±0.001]
⊕∅0.03[.001]ⓂZ XⓂ YⓂ
-M-

∅2.49±0.03
[∅.098±0.001]
⊕∅0.03[.001]ⓂZ XⓂ YⓂ

∅2.49±0.03
[∅.098±0.001]
⊕∅0.03[.001]ⓂZ XⓂ YⓂ
-N-

SEE SHEET 2 FOR HOLE PATTERN



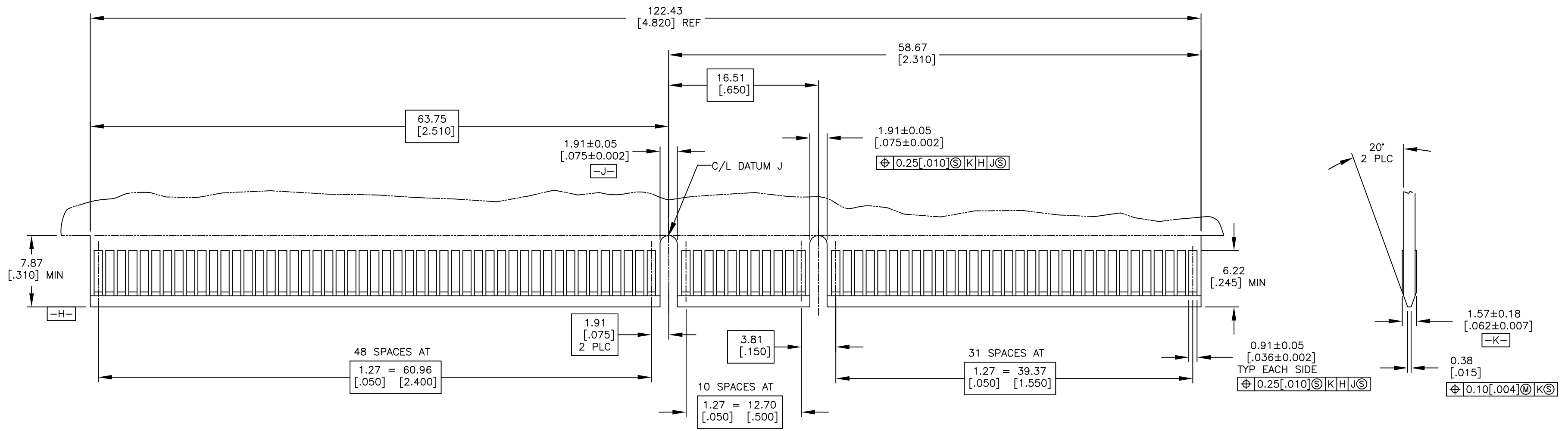
DETAIL A

SECTION L-L
SCALE 6:1

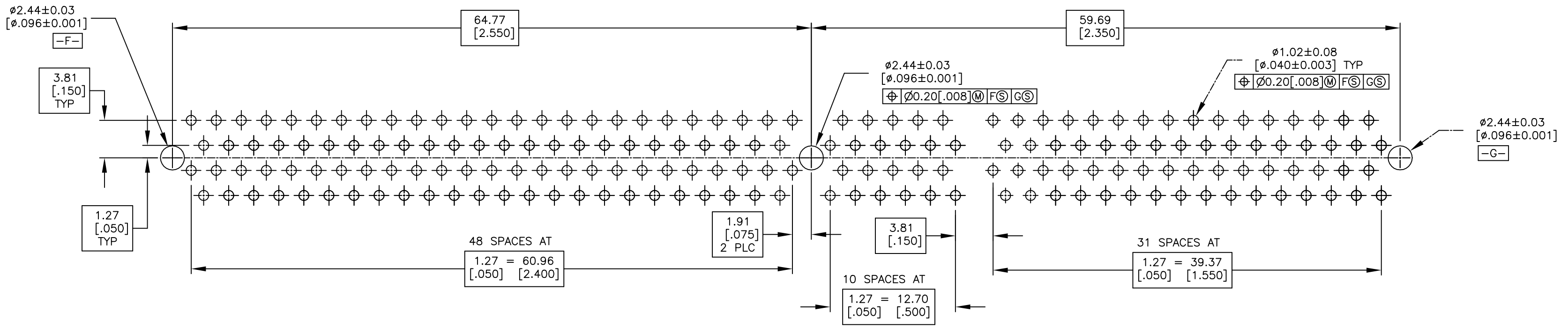
1888358-1
PART NUMBER

THIS DRAWING IS A CONTROLLED DOCUMENT.		OWN L.A.MAYER 09FEB2008	TE Connectivity Ltd. CONNECTOR ASSEMBLY, 92 DUAL POSITION, 1.27 [.050] SERIES,
DIMENSIONS: mm [INCHES]		CHK AL FRANTUM 09FEB2008	
TOLERANCES UNLESS OTHERWISE SPECIFIED:		APVD S.FLICKINGER 09FEB2008	NAME
0 PLC ± -		PRODUCT SPEC	108-14034
1 PLC ± -		APPLICATION SPEC	114-26012
2 PLC ± 0.25 [31]		SIZE	A1
3 PLC ± 0.125 [005]		WEIGHT	00779
4 PLC ± -		CAGE CODE	1888358
ANGLES ± -		DRAWING NO	1888358
		CUSTOMER DRAWING	
MATERIAL SEE NOTE 1 & 2		SCALE 4:1 SHEET 1 OF 2 REV B	

REVISIONS				
P	LTR	DESCRIPTION	DATE	OWN
-	-	SEE SHEET 1	-	-



RECOMMENDED MATING BOARD EDGE CONFIGURATION



RECOMMENDED CONNECTOR MOUNTING HOLE PATTERN
(CONNECTOR SIDE SHOWN)

THIS DRAWING IS A CONTROLLED DOCUMENT.		OWN L.A.MAYER 09FEB2008	 TE Connectivity Ltd.
DIMENSIONS: mm [INCHES]		CHK AL FRANTUM 09FEB2008	
DIMENSIONS: mm [INCHES] TOLERANCES UNLESS OTHERWISE SPECIFIED: 0 PLC ± - 1 PLC ± - 2 PLC ± 0.25 [31] 3 PLC ± 0.125 [005] 4 PLC ± - ANGLES ± °		APVD S.FLICKINGER 09FEB2008 NAME PRODUCT SPEC 108-14034 APPLICATION SPEC 114-26012	
MATERIAL SEE SHEET 1	FINISH SEE SHEET 1	WEIGHT - CUSTOMER DRAWING	SIZE A1 CAGE CODE 00779 DRAWING NO. 1888358 RESTRICTED TO
SCALE 4:1		SHEET 2 OF 2	REV B