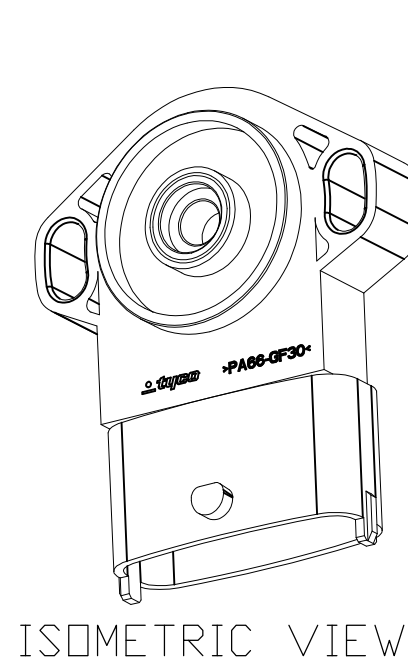
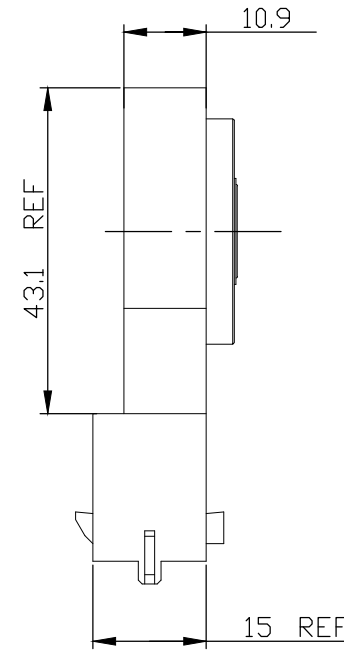
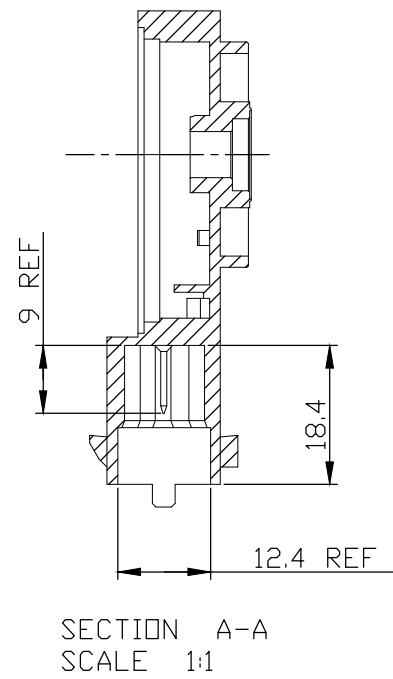
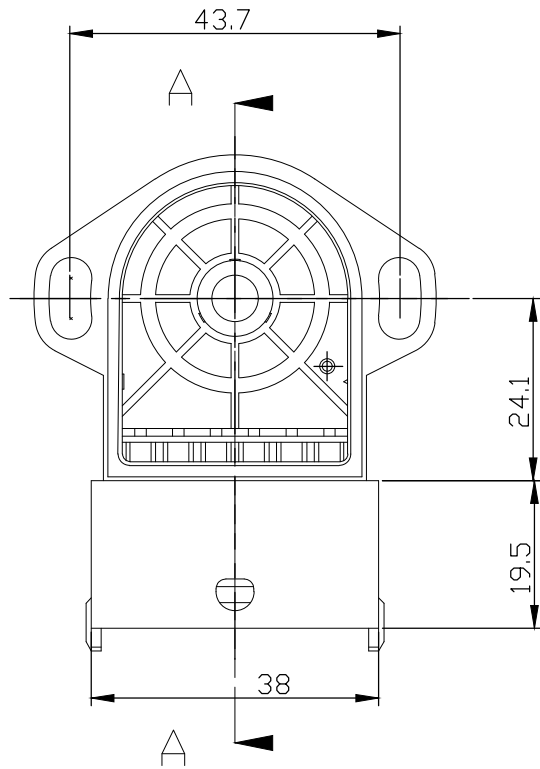
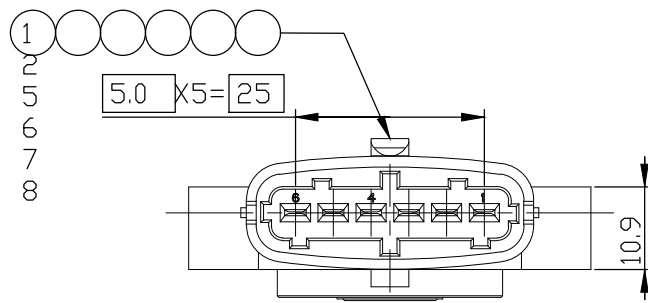


REVISIONS					
P	LTR	DESCRIPTION	DATE	DWN	APVD
	C1	REVISED ECR-20-014103	06OCT2020	VI	SPB



NOTE
1. GENERAL TOLERANCE ±0.3, ±3°



ASSY P/N	CIRCUIT No.						FINISH
	1	2	3	4	5	6	
0-1897001-7	X	X	X	X	X	X	TIN
0-1897001-6	X	X	X	X	X	X	GOLD
0-1897001-5	X	X	X	X	X	X	TIN
0-1897001-4	X	X	X	X	X	X	GOLD
0-1897001-3	X	X	X	X	X	X	TIN
0-1897001-2	X	X	X	X	X	X	GOLD

NO	COLOR	MATERIAL	DESCRIPTION	QT'Y						
8	BLACK	PA66-GF30	HOUSING SUB ASSY	1						
7	DARK GRAY	PA66-GF30	HOUSING SUB ASSY		1					
6	BLACK	PA66-GF30	HOUSING SUB ASSY			1				
5	BLACK	PA66-GF30	HOUSING SUB ASSY				1			
4	GOLD PLATING	C5191R-1/2H	TERMINAL			2	2	1	1	
3	TIN PLATING	C5191-1/2H	TERMINAL	6	6	4	4	5	5	
2	GRAY	PA66-GF30	HOUSING SUB ASSY					1		
1	DARK GRAY	PA66-GF30	HOUSING SUB ASSY						1	

THIS DRAWING IS A CONTROLLED DOCUMENT.		DWN DG JEONG	TE Connectivity HOUSING SUB ASSY - PEDAL POSITION SENSOR			
DIMENSIONS: mm		CHK YM CHOI				
TOLERANCES UNLESS OTHERWISE SPECIFIED:		APVD HG CHO				
0 PLC ± - 1 PLC ± - 2 PLC ± - 3 PLC ± - 4 PLC ± - ANGLES ± -		PRODUCT SPEC				
MATERIAL SEE TABLE	FINISH SEE TABLE	APPLICATION SPEC	SIZE A3	CAGE CODE 00779	DRAWING NO C-1897001	RESTRICTED TO
CUSTOMER DRAWING			SCALE 1:1	SHEET 1 OF 1	REV C1	