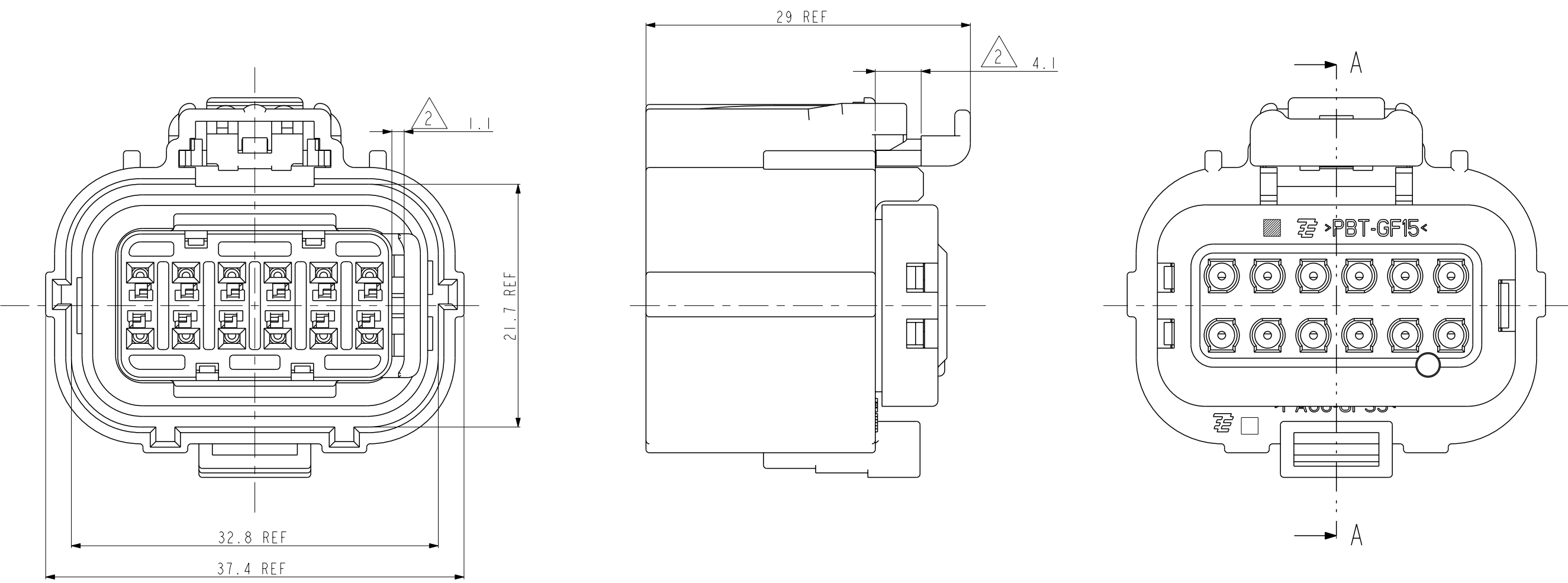


THIS DRAWING IS UNPUBLISHED. RELEASED FOR PUBLICATION 2008
 © COPYRIGHT 2009 BY TE CONNECTIVITY ALL RIGHTS RESERVED.

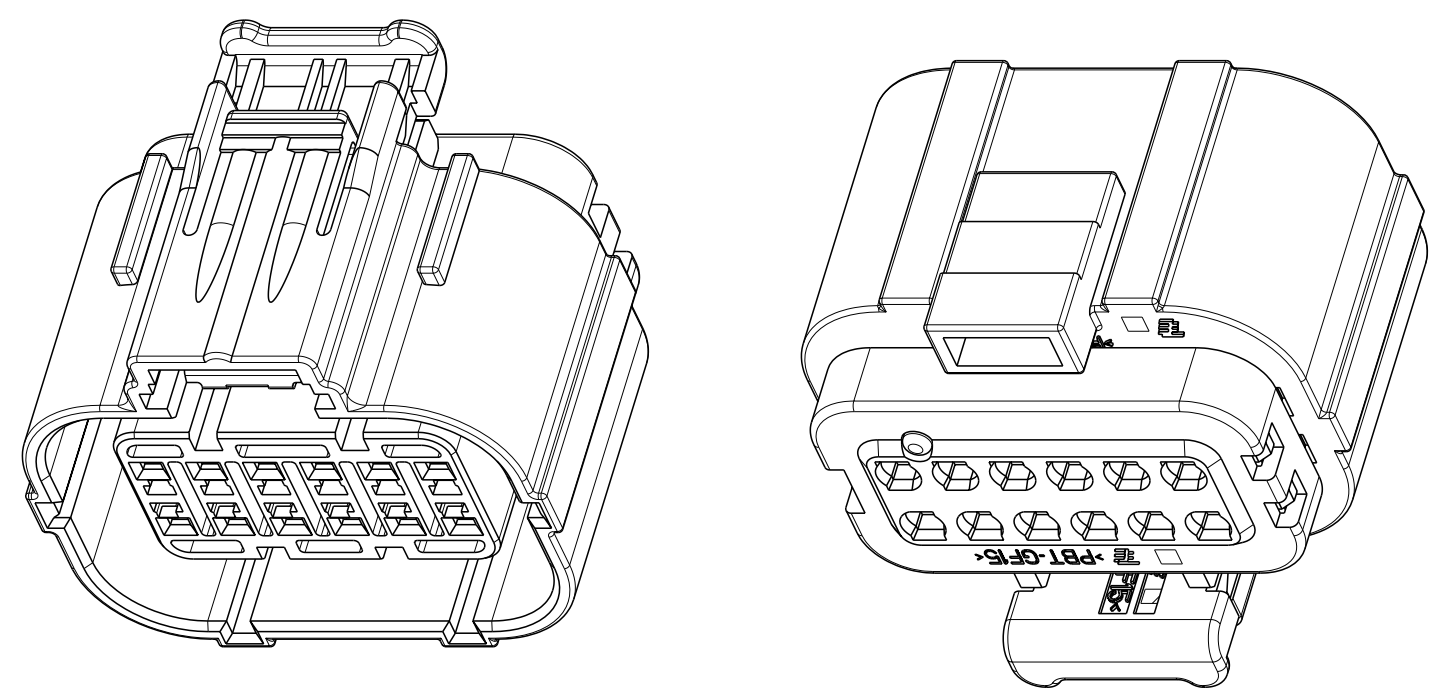
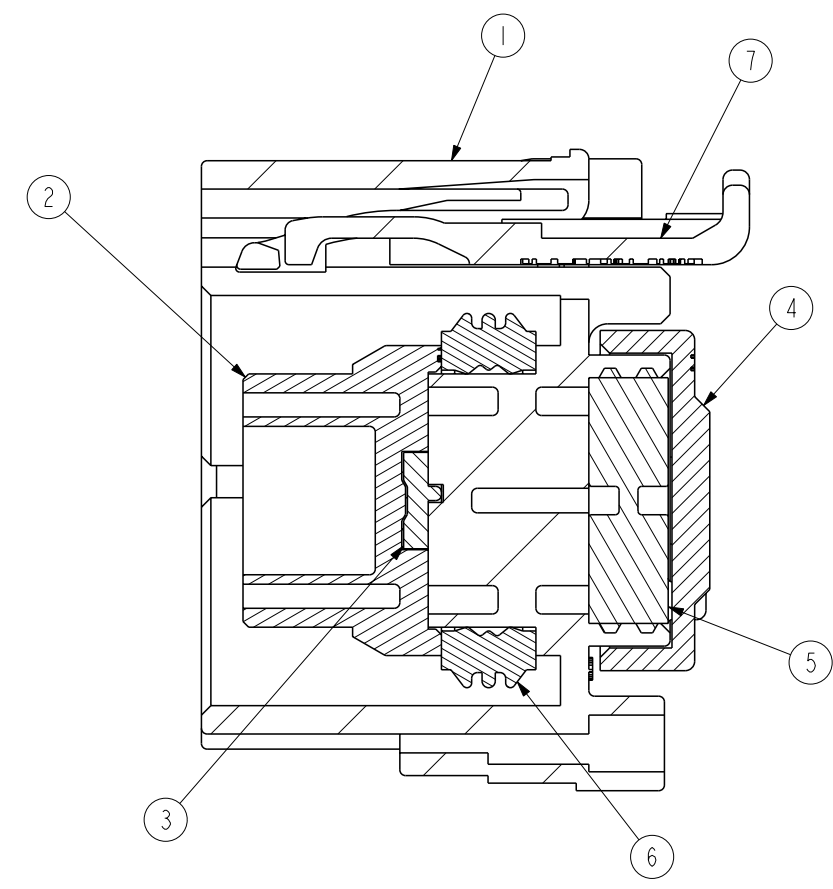
REVISIONS					
P	LTR	DESCRIPTION	DATE	DWN	APVD
	A	RELEASED	13/FEB/08	DR	HG
	A1	REVISED (ECR-17-000205)	03.NOV.'09	DR	HG
	A2	REVISED (ECR-17-000323)	10JAN2017	JM	JW
	A3	REVISED (ECR-21-002274)	23FEB2021	YH	YJ



- NOTE
- GENERAL TOLERANCE : ± 0.3 , $\pm 3^\circ$
 - CONDITION OF DELIVERY
 - APPLIED MATING P/N : 1897458
 - APPLIED CONTACT P/N : TABLE I
 - APPLICABLE CAVITY PLUG P/N : 1-2109258-8

< TABLE I >

TYPE	PART NO.	WIRE SIZE(mm2)	FINISH
MCP 1.2MM	0-1394897-1	0.5~0.75	TIN
	0-1394897-2	0.5~0.75	GOLD
	0-1452503-1	1.0~1.5	TIN
	0-1452503-2	1.0~1.5	GOLD



3D VIEW
SCALE 2:1

NO.	COLOR	MATERIAL	DESCRIPTION	Q'TY
7	RED	PBT-GF15	CPA PLATE	1
6	RED ORANGE	SILICONE	INNER SEAL	1
5	RED ORANGE	SILICONE	FAMILY SEAL	1
4	GRAY	PBT-GF15	REAR HOLDER HSG	1
3	NATURE	PBT-GF15	FRONT DBL HSG	1
2	BLACK	PA66-GF15	FRONT HOLDER HSG	1
1	BLACK	PA66-GF35	PLUG HSG	1

1897462-2
ASS'Y P/N

THIS DRAWING IS A CONTROLLED DOCUMENT.

DWN JM JEON	TE Connectivity
CHK -	
APVD JW JUNG	NAME
PRODUCT SPEC	MCP 1.2MM SEALED 12P PLUG ASS'Y
APPLICATION SPEC	SIZE CAGE CODE DRAWING NO RESTRICTED TO
WEIGHT	A2 00779 C-1897462 -
CUSTOMER DRAWING	SCALE 5:2 SHEET 1 OF 1 REV A3

Printed on 23 Feb 2021 14:50 (1) from FC001788