

THIS DRAWING IS UNPUBLISHED.

RELEASED FOR PUBLICATION

20

© COPYRIGHT 20 BY TYCO ELECTRONICS CORPORATION. ALL RIGHTS RESERVED.

LOC	DIST	REVISIONS					
		P	LTR	DESCRIPTION	DATE	DWN	APVD
DS	-		A	RELEASE	29.AUG.'08	GC	JK

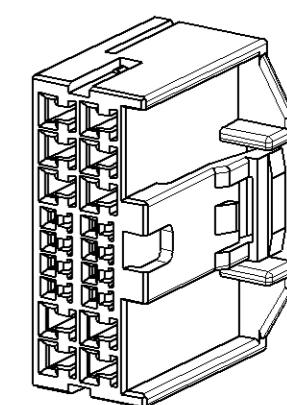
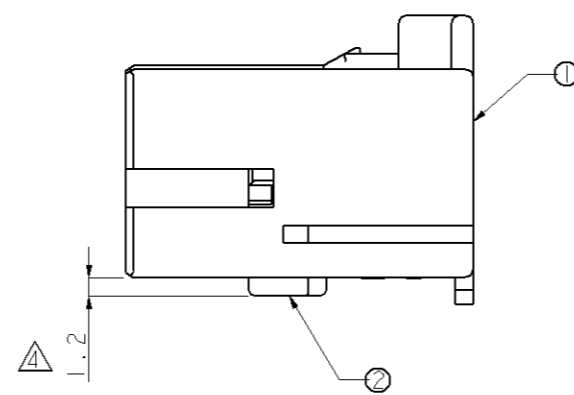
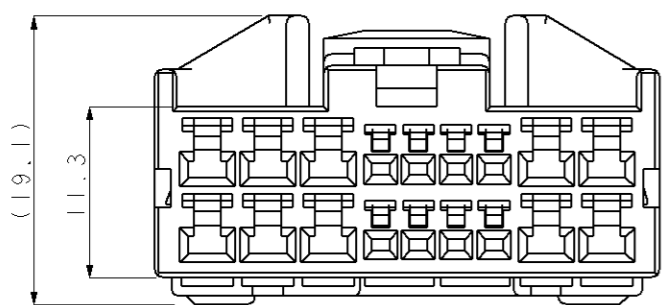
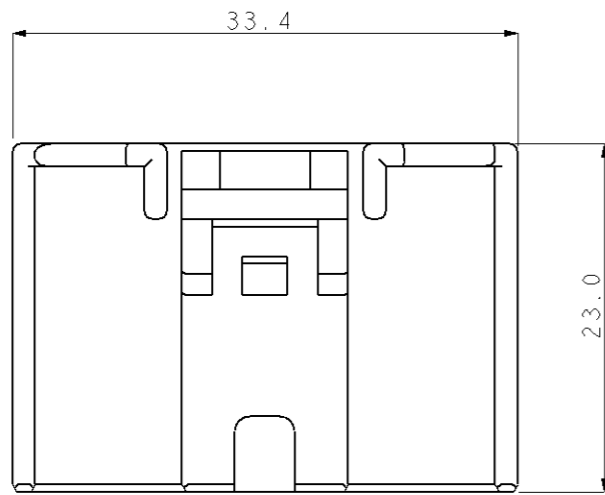


TABLE 1. APPLICABLE REC. CONTACT.

REC.	PART NO.	WIRE RANGE		WIRE TYPE
		AWG	mm ²	
040	316836-1	22-18	0.3-0.85	AVSS
090	1743654-1	22-20	0.3-0.5	
	1743655-1	18-16	0.75-1.25	
	1743656-1	14	1.5-2.0	

NOTE ;

- 1. GENERAL TOLERANCE : ±0.3, ±3.0°
- 2. APPLICABLE REC. CONTACT : SEE TABLE 1.
- 3. THE MATING CAP ASS'Y P/N : 1897499
- ⚠ DBL SUPPLY CONDITION : 1ST LOCKING.

NO.	PART NO.	DESCRIPTION	MATERIAL	COLOR
2	1897504-1	PLUG DBL	PBT	WHITE
1	1897503-1	PLUG HSG	PBT	WHITE

ASS'Y P/N	DESCRIPTION	REMARK
1897502-1	CAP ASS'Y	

<small>THIS DRAWING IS A CONTROLLED DOCUMENT FOR TYCO ELECTRONICS CORPORATION IT IS SUBJECT TO CHANGE AND THE CONTROLLING ENGINEERING ORGANIZATION SHOULD BE CONTACTED FOR THE LATEST REVISION.</small>		DWN GC KWON 29AUG2008 CHK KT LIM APVD JK SONG PRODUCT SPEC - APPLICATION SPEC - WEIGHT -		Tyco Electronics AMP KOREA kyungsan korea	
DIMENSIONS: mm 		TOLERANCES UNLESS OTHERWISE SPECIFIED: 0 PLC ±- 1 PLC ±0.5 2 PLC ±0.13 3 PLC ±0.013 4 PLC ±0.0001 ANGLES ±-		NAME PLUG HSG ASS'Y FOR HYB(040/090) REAR DOOR 18P	
MATERIAL - FINISH -		SIZE A3 CAGE CODE 00779 DRAWING NO C=1897502		RESTRICTED TO -	
CUSTOMER DRAWING			SCALE 2:1		SHEET 1 OF 1 REV A