

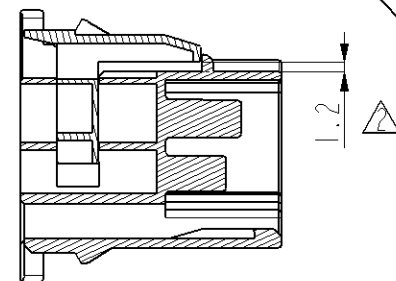
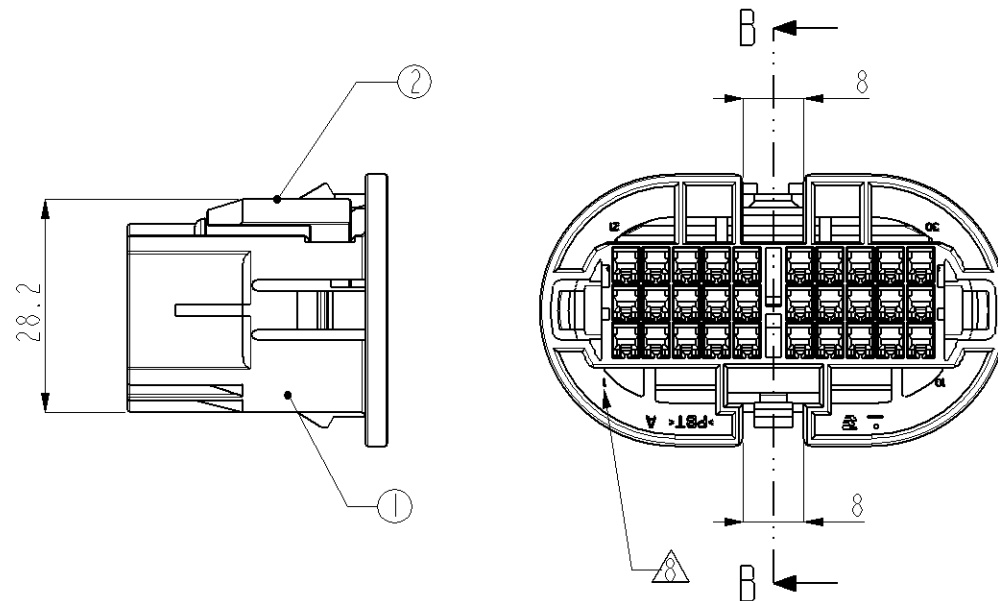
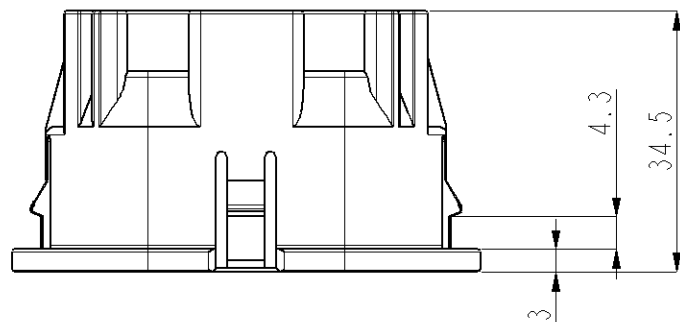
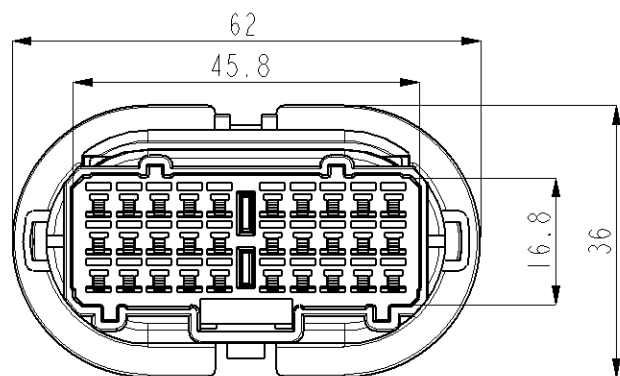
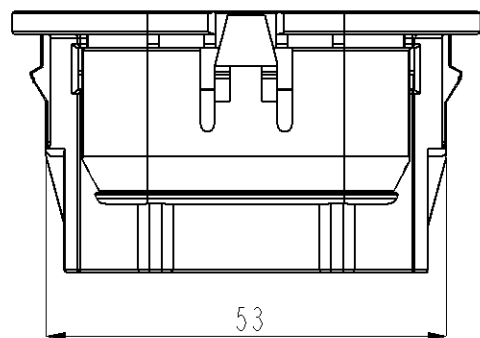
THIS DRAWING IS UNPUBLISHED.

RELEASED FOR PUBLICATION

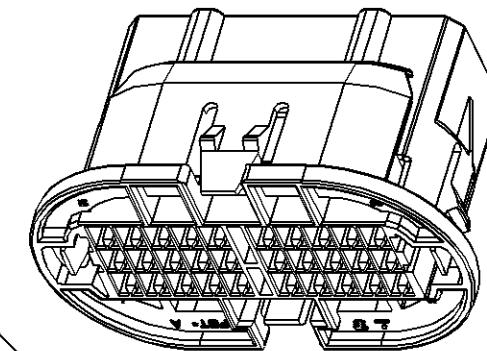
20

© COPYRIGHT 20 BY TYCO ELECTRONICS CORPORATION. ALL RIGHTS RESERVED.

LOC	DIST	REVISIONS			
P	LTR	DESCRIPTION	DATE	DWN	APVD
DS	-	RELEASED	06.AUG.'08	SH	JK

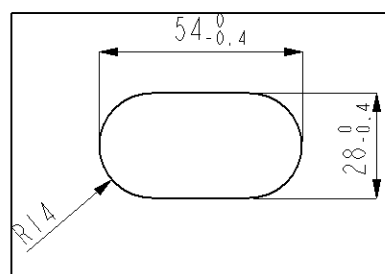


SECTION B-B



3D VIEW SCALE 1:1

FIG. 1



NOTES;

1. GENERAL TOLERANCE IS ± 0.3
2. CONDITION OF DELIVERY : DBL IN 1ST LOCKING POSITION
3. THE MATING PLUG ASS'Y P/N : 1897527
4. APPLICABLE TAB CONTACT : 368086, 368087, 368088
5. INSERTION FORCE : 18kgf MAX
6. APPLICABLE PANEL THICKNESS : 0.7mm
7. APPLICABLE PANEL LAYOUT : SEE FIG. 1
8. CIRCUIT NUMBER

NO	P/N	DESCRIPTION	MATERIAL	COLOR	Q'TY
2	1897526-5	DBL HSG	PBT	YELLOW	1
1	1897525-1	CAP HSG	PBT	WHITE	1

THIS DRAWING IS A CONTROLLED DOCUMENT FOR TYCO ELECTRONICS CORPORATION IT IS SUBJECT TO CHANGE AND THE CONTROLLING ENGINEERING ORGANIZATION SHOULD BE CONTACTED FOR THE LATEST REVISION.		DWN SH LEE CHK KT LIM APVD JK SONG PRODUCT SPEC APPLICATION SPEC WEIGHT CUSTOMER DRAWING	Tyco Electronics Tyco Electronics Kyungsan, Korea.
DIMENSIONS: mm 	TOLERANCES UNLESS OTHERWISE SPECIFIED: 0 PLC $\pm .5$ 1 PLC $\pm .5$ 2 PLC ± 0.13 3 PLC ± 0.013 4 PLC ± 0.0001 ANGLES \pm	NAME 090 30P CAP ASS'Y FOR DOOR TO BODY	RESTRICTED TO -
MATERIAL	FINISH	SIZE A3 CAGE CODE 00779 DRAWING NO C-1897524	SCALE SHEET 1 OF 1 REV A

1897524-1	A	CAP HSG ASS'Y	REMARK
1897524-1	A	CAP HSG ASS'Y	DESCRIPTION
		REV.	