

4

3

2

1

THIS DRAWING IS UNPUBLISHED.

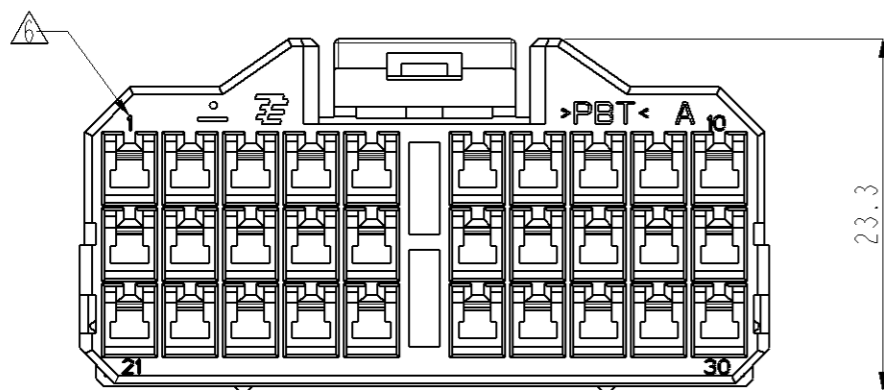
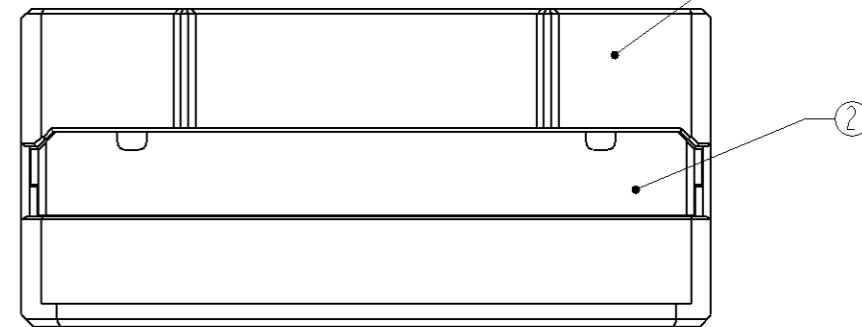
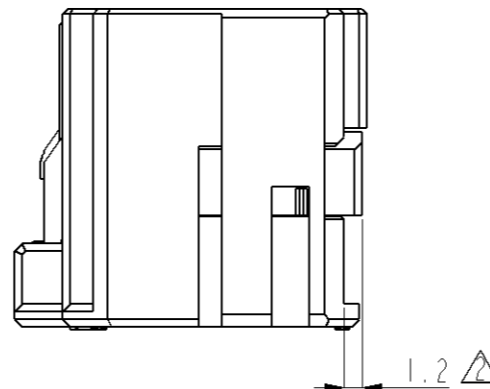
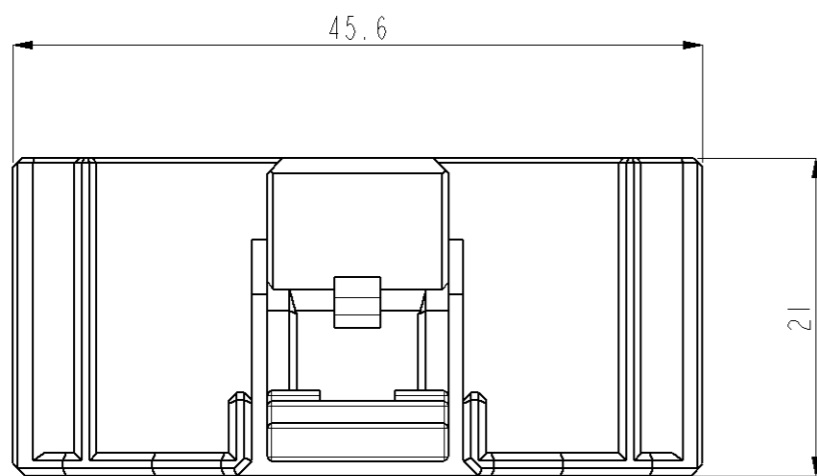
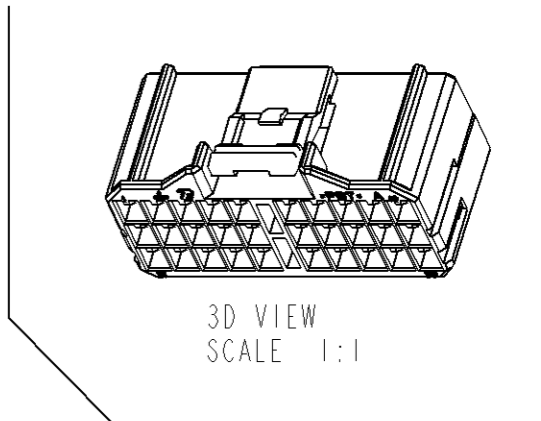
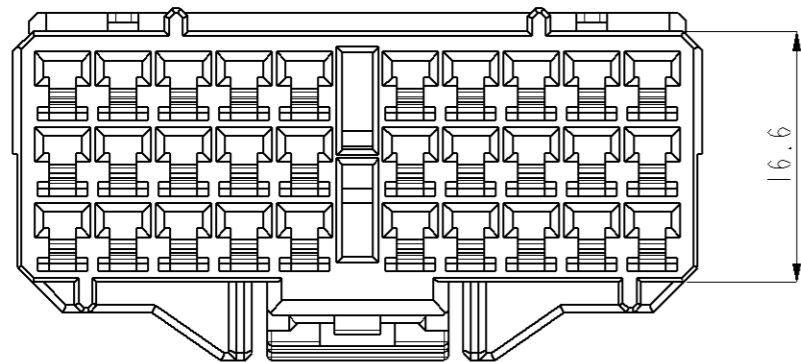
RELEASED FOR PUBLICATION

20

© COPYRIGHT 20

BY TYCO ELECTRONICS CORPORATION. ALL RIGHTS RESERVED.

LOC	DIST	REVISIONS			
P	LTR	DESCRIPTION	DATE	DWN	APVD
DS	-				
	A	RELEASED	25.AUG.'08	SH	JK



- NOTES;
- 1. GENERAL TOLERANCE IS ± 0.3
 - 2. CONDITION OF DELIVERY : DBL IN 1ST LOCKING POSITION
 - 3. THE MATING CAP ASS'Y P/N : 1897524
 - 4. APPLICABLE RECEPTACLE CONTACT : 1743654, 1743655, 1743656
 - 5. INSERTION FORCE : 18kgf MAX
 - 6. CIRCUIT NUMBER

1897527-1	A	PLUG HSG ASS'Y	REMARK

NO	P/N	DESCRIPTION	MATERIAL	COLOR	Q'TY
2	1897529-1	PLUG DBL HSG	PBT	WHITE	1
1	1897528-1	PLUG HSG	PBT	WHITE	1

<p>THIS DRAWING IS A CONTROLLED DOCUMENT FOR TYCO ELECTRONICS CORPORATION IT IS SUBJECT TO CHANGE AND THE CONTROLLING ENGINEERING ORGANIZATION SHOULD BE CONTACTED FOR THE LATEST REVISION.</p>		<p>DWN SH LEE CHK KT LIM APVD JK SONG PRODUCT SPEC</p>		<p>Tyco Electronics Tyco Electronics Kyungsan, Korea.</p>													
<p>DIMENSIONS: mm</p>		<p>TOLERANCES UNLESS OTHERWISE SPECIFIED:</p> <table border="1"> <tr><td>0 PLC</td><td>±</td></tr> <tr><td>1 PLC</td><td>±0.1</td></tr> <tr><td>2 PLC</td><td>±0.01</td></tr> <tr><td>3 PLC</td><td>±0.001</td></tr> <tr><td>4 PLC</td><td>±0.0001</td></tr> <tr><td>ANGLES</td><td>±</td></tr> </table>		0 PLC	±	1 PLC	±0.1	2 PLC	±0.01	3 PLC	±0.001	4 PLC	±0.0001	ANGLES	±	<p>NAME 090 30P PLUG ASS'Y FOR DOOR TO BODY</p>	
0 PLC	±																
1 PLC	±0.1																
2 PLC	±0.01																
3 PLC	±0.001																
4 PLC	±0.0001																
ANGLES	±																
<p>MATERIAL -</p>		<p>FINISH -</p>		<p>SIZE A3 CAGE CODE 00779 DRAWING NO C-1897527 RESTRICTED TO -</p>													
<p>CUSTOMER DRAWING</p>				<p>SCALE 2:1 SHEET 1 OF 1 REV A</p>													