

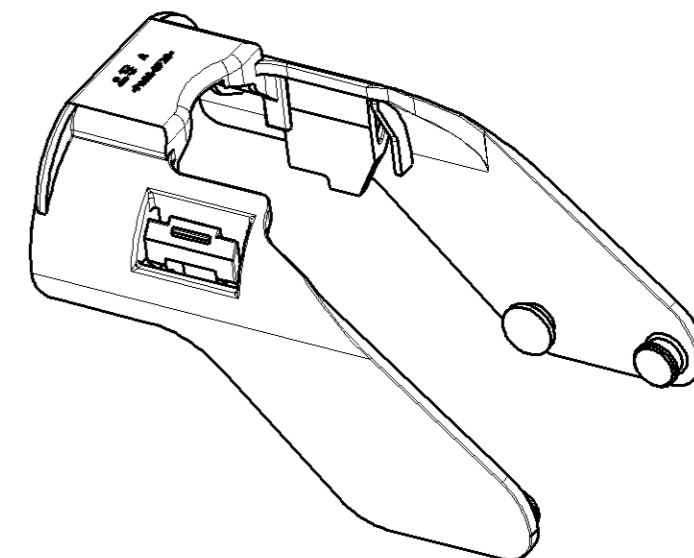
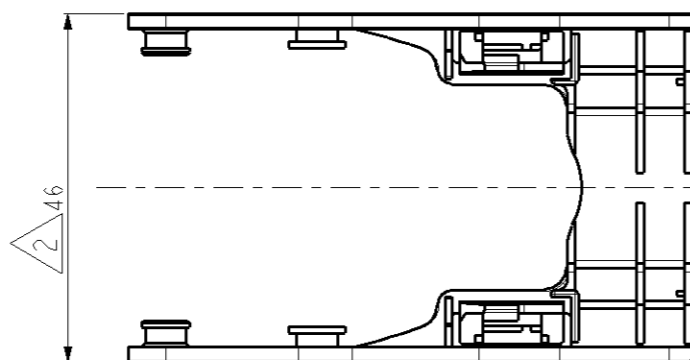
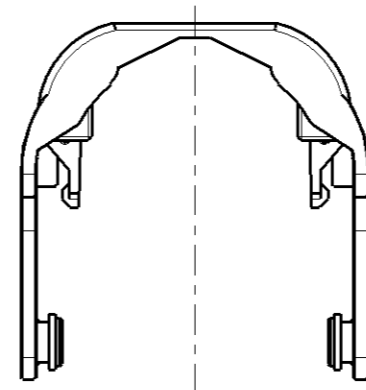
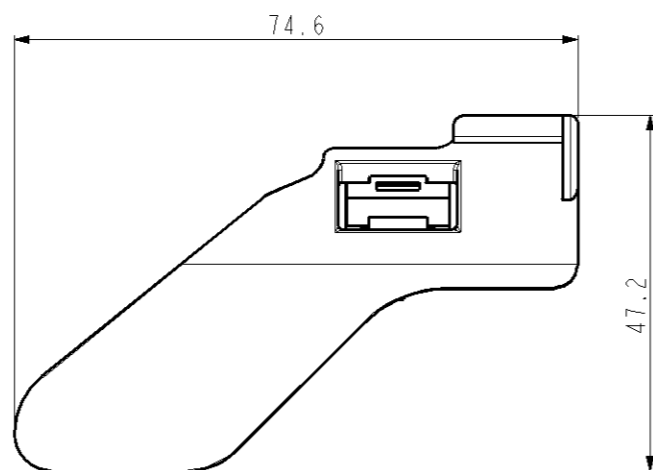
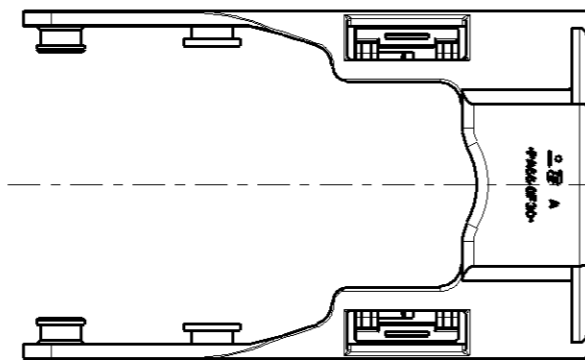
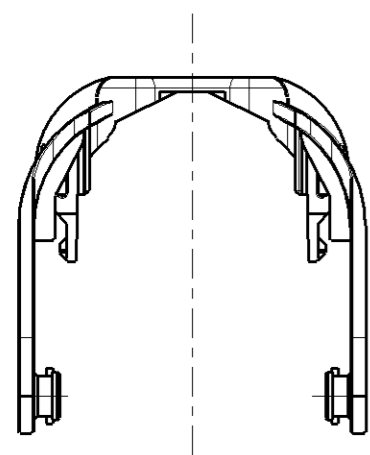
THIS DRAWING IS UNPUBLISHED.

RELEASED FOR PUBLICATION

20

© COPYRIGHT 20 BY TYCO ELECTRONICS CORPORATION. ALL RIGHTS RESERVED.

LOC	DIST	REVISIONS			
P	LTR	DESCRIPTION	DATE	DWN	APVD
DS	-				
	A	RELEASED	21APR08	YH	HG



3D VIEW SCALE 1:1

NOTE  
 1. GENERAL TOLERANCE:  $\pm 0.5$ ,  $\pm 3^\circ$   
 2. WARPAGE PERMITTED MAX. 6mm  
 3. APPLICATION TEST SPEC: MS210-06-A2[EXT-2](EXCEPT 4.4)

BLACK	PA66-GF30	LEVER HSG	1897645-2
COLOR	MATERIAL	DESCRIPTION	P/N

THIS DRAWING IS A CONTROLLED DOCUMENT FOR TYCO ELECTRONICS CORPORATION IT IS SUBJECT TO CHANGE AND THE CONTROLLING ENGINEERING ORGANIZATION SHOULD BE CONTACTED FOR THE LATEST REVISION.		DWN YH MA CHK YM CHOI APVD HG CHO	<b>Tyco Electronics</b> Tyco Electronics Kyungsan, Korea
DIMENSIONS: mm 	TOLERANCES UNLESS OTHERWISE SPECIFIED: 0 PLC $\pm$ 1 PLC $\pm$ 2 PLC $\pm$ 3 PLC $\pm$ 4 PLC $\pm$ ANGLES $\pm$ FINISH -	PRODUCT SPEC APPLICATION SPEC WEIGHT	NAME LEVER HSG FOR 60P
MATERIAL SEE TABLE	FINISH -	CUSTOMER DRAWING	RESTRICTED TO
		SIZE A3 CAGE CODE 00779 DRAWING NO C=1897645	SCALE SHEET OF REV A