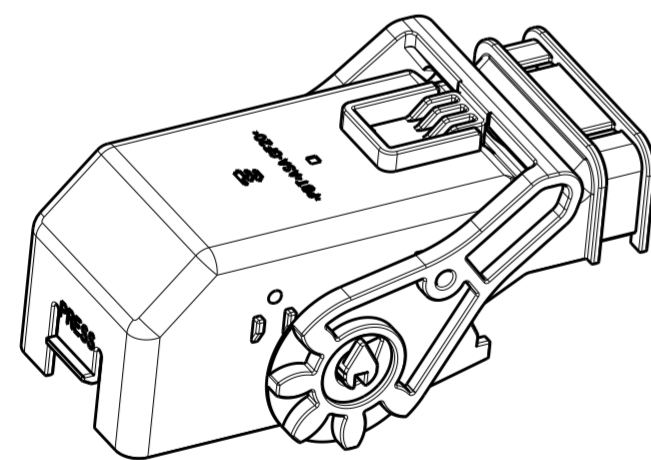
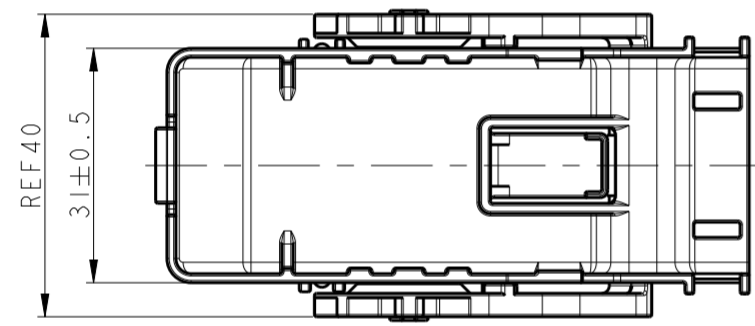
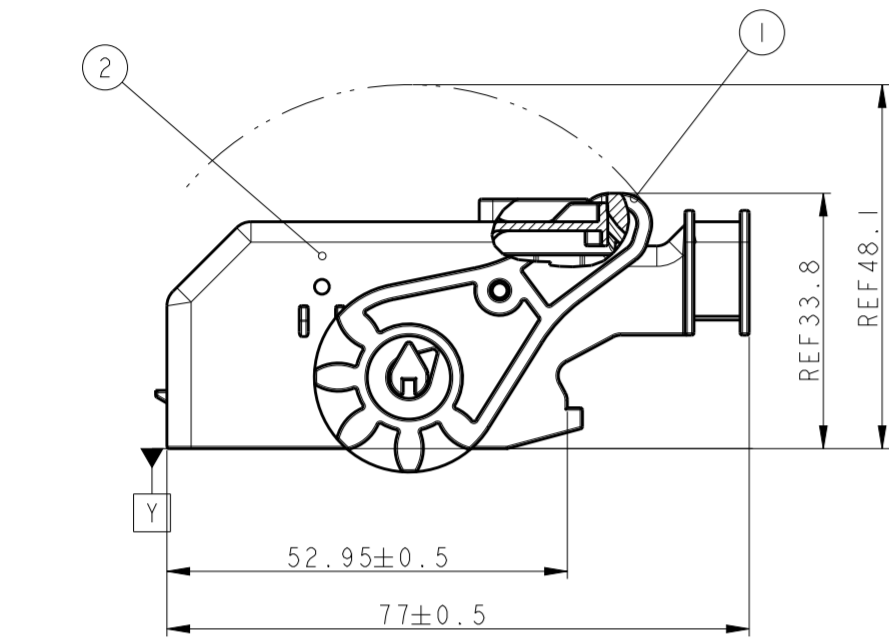


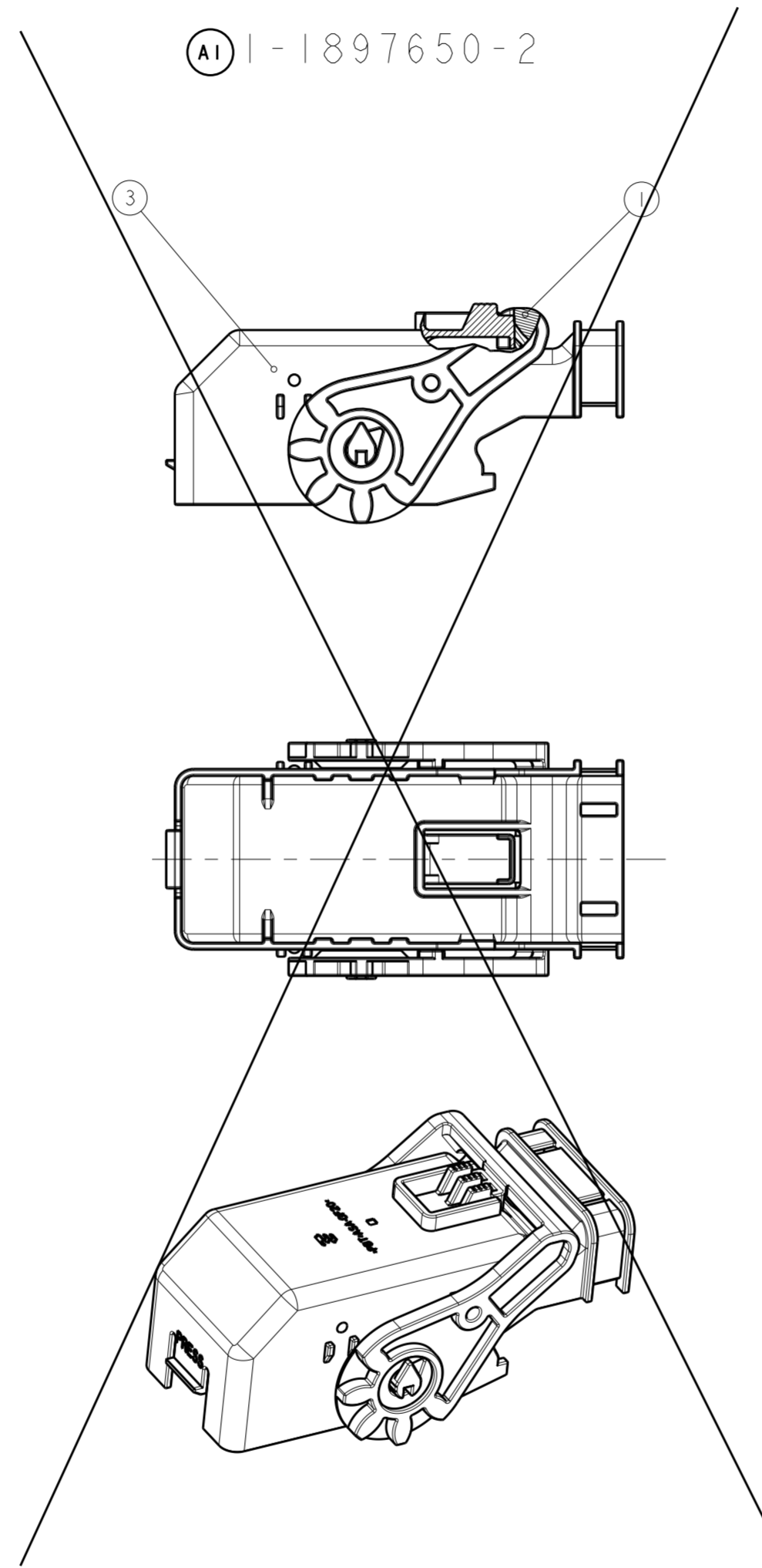
THIS DRAWING IS UNPUBLISHED. RELEASED FOR PUBLICATION 20  
 © COPYRIGHT 20 BY - ALL RIGHTS RESERVED.

REVISIONS					
P	LTR	DESCRIPTION	DATE	DWN	APVD
	A	RELEASED	01.DEC.'08	YH	HG
	A1	REVISED(ECR-12-013513)	02.APR.'12	YH	HG
	A2	REVISED(ECR-16-012890)	02.FEB.'17	JY	KT
	B	REVISED(ECR-17-004978)	23.OCT.'17	JY	YJ

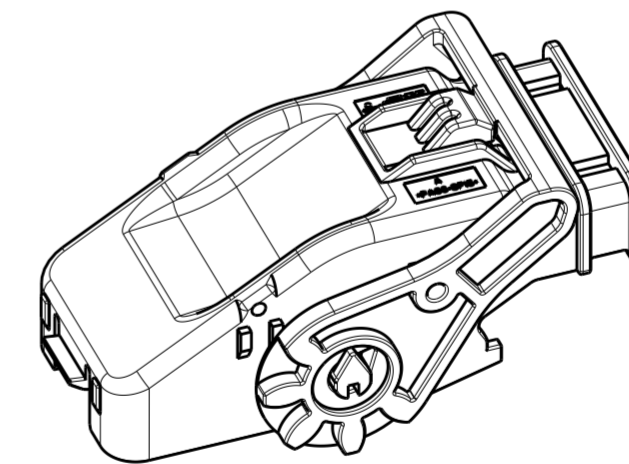
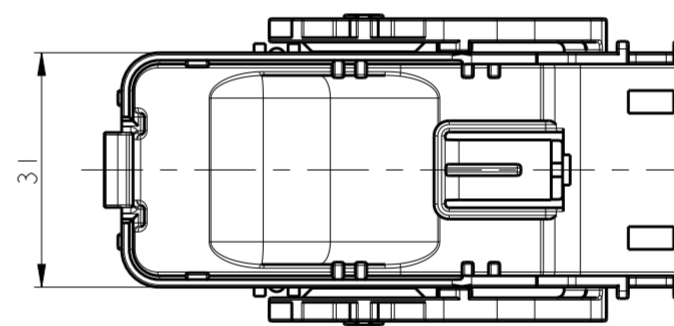
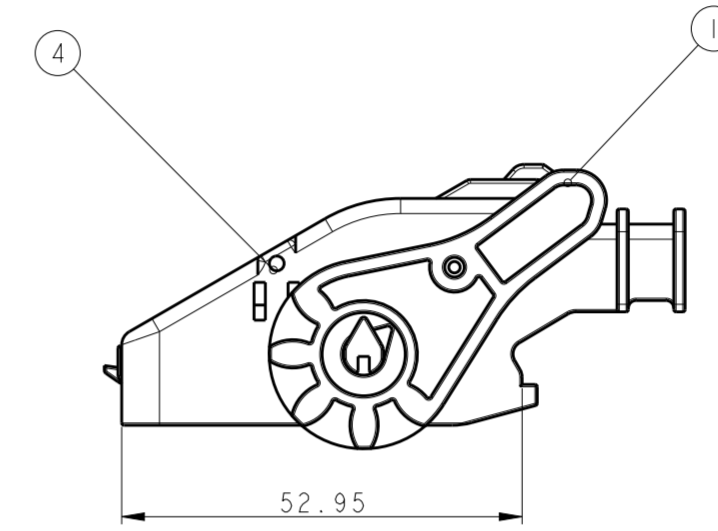
0-1897650-2



A1 1-1897650-2



A2 2-1897650-2



A2 A1

NO	COLOR	MATERIAL	DESCRIPTION	QTY	ASSY P/N
4	BLACK	PA66-GF15	COVER HSG	1	2-1897650-2
3	BLACK	PBT/ASA-GF20	COVER HSG	1	1-1897650-2
2	BLACK	PBT/ASA-GF20	COVER HSG	1	0-1897650-2
1	RED	PBT-GF20	LEVER HSG	1	1

NOTES:  
 1. ASS'Y DELIVERED WITH LEVER IN ENDOCKED POSITION  
 2. MATED PLUG ASSEMBLY IS 1452415

THIS DRAWING IS A CONTROLLED DOCUMENT.		DWN JY BAE	TE Connectivity		
DIMENSIONS: mm		CHK YH MA			
TOLERANCES UNLESS OTHERWISE SPECIFIED: ±0.5		APVD KT IIM	NAME 58P COVER ASSY FOR 154P CONNECTOR		
3rd ANGLE PROJECTION		PRODUCT SPEC	SIZE	CAGE CODE	DRAWING NO
MATERIAL SEE NOTE		APPLICATION SPEC 114-18534-1	A2	00779	C-1897650
		WEIGHT	SCALE	SHEET	OF
		CUSTOMER DRAWING	1:1	1	REV B