

4

3

2

1

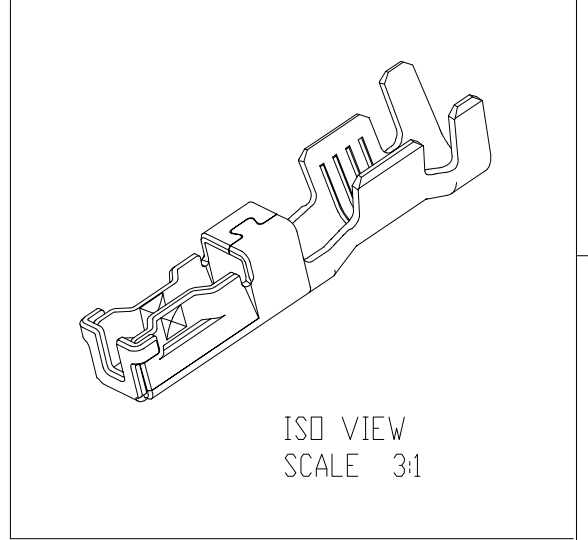
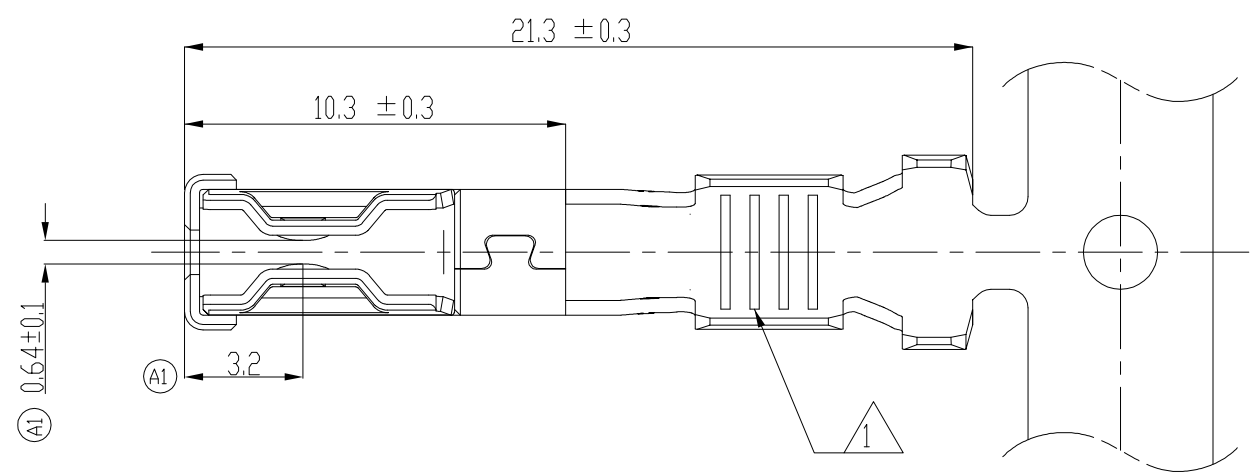
THIS DRAWING IS UNPUBLISHED. RELEASED FOR PUBLICATION 20
© COPYRIGHT 20 BY TYCO ELECTRONICS CORPORATION. ALL RIGHTS RESERVED.

REVISIONS

P	LTR	DESCRIPTION	DATE	DWN	APVD
	A	RELEASE	09APR'09	SH	JK
	A1	REVISED (ECR-14-004828)	01.APR.'14	JM	HG

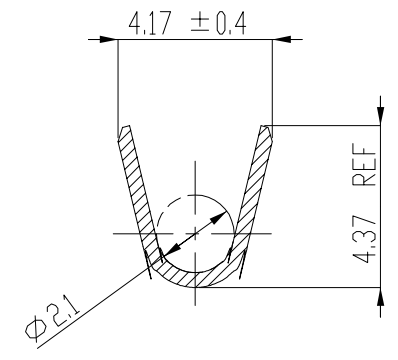
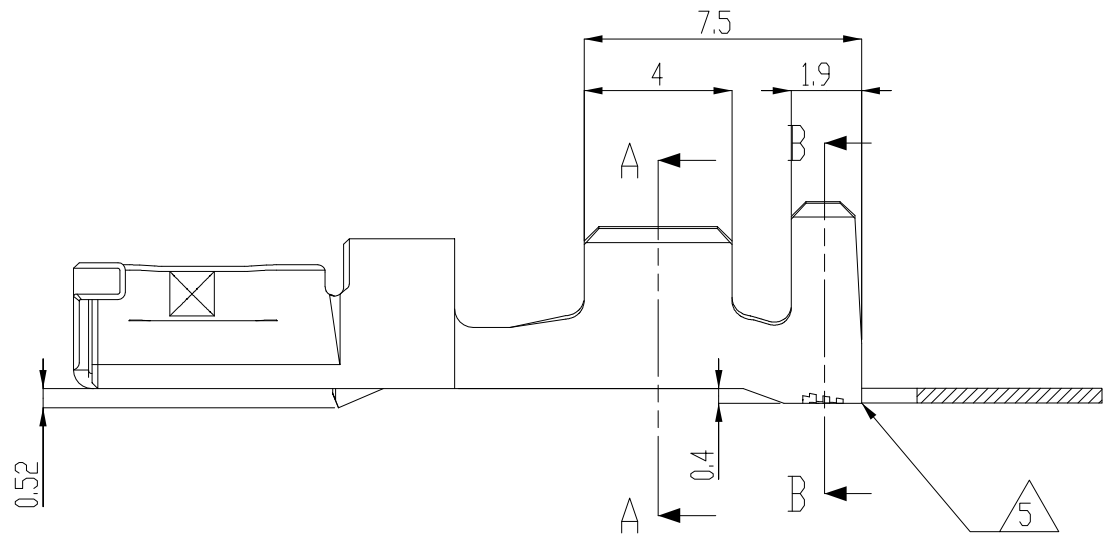
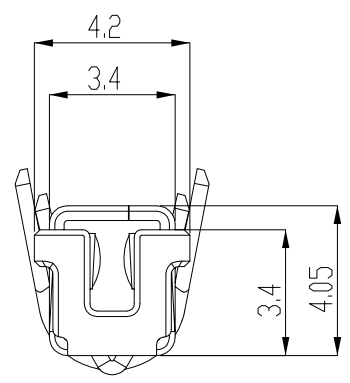
D

D

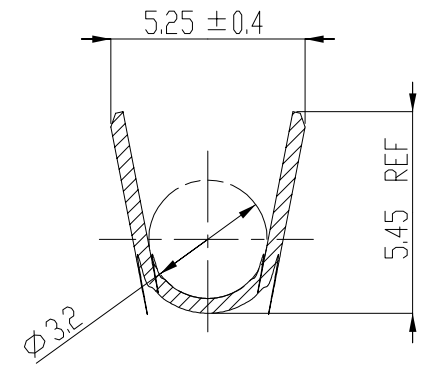


C

C



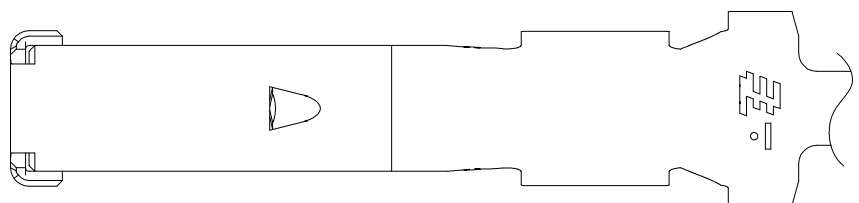
SECTION A-A



SECTION B-B

B

B



NOTES;

- △ FOUR SERRATIONS WERE CENTERED IN WIRE BARREL
- 2. WIRE SIZE EQUIV AESSXF 2.0~ AEXF 3.0 sqmm
- 3. TOLERANCES UNLESS OTHERWISE SPECIFIED : ±0.2, ±3°
- 4. MUST BE REFERRED TO THE FOLLOWING TABLE 1 FOR CRIMPING OPERATION.
- △ 0.5 Max Cutoff Tab, with 0.15 Max Burr

A

A

THIS DRAWING IS A CONTROLLED DOCUMENT FOR TYCO ELECTRONICS CORPORATION IT IS SUBJECT TO CHANGE AND THE CONTROLLING ENGINEERING ORGANIZATION SHOULD BE CONTACTED FOR THE LATEST REVISION.

DIMENSIONS:	TOLERANCES UNLESS OTHERWISE SPECIFIED:
mm	
	0 PLC ±-
	1 PLC ±0.3
	2 PLC ±0.10
	3 PLC ±0.001
	4 PLC ±0.0001
	ANGLES ±-
MATERIAL	FINISH
-	-

PRE-TINNED	CuNiSi Alloy 0.4THK	1897664-1
FINISH	MATERIAL	PART NUMBER
DWN JM JEON CHK JW JUNG APVD HG CHO PRODUCT SPEC 108-61109 APPLICATION SPEC 114-61027 WEIGHT -		TE TE Connectivity NAME LOW-PROFILE FUSE RECEPTACLE SIZE A3 CAGE CODE 00779 DRAWING NO C-1897664 RESTRICTED TO -
CUSTOMER DRAWING		SCALE 5:1 SHEET 1 OF 2 REV A1

THIS DRAWING IS UNPUBLISHED.

RELEASED FOR PUBLICATION

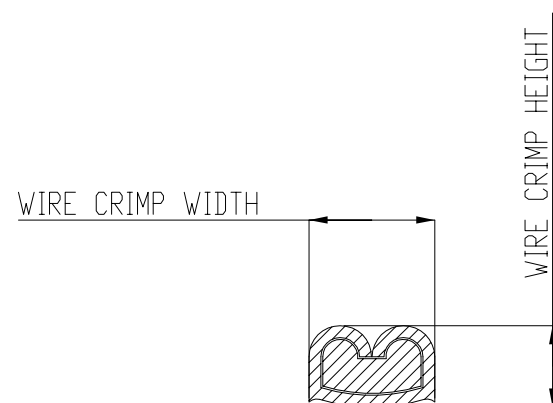
REVISIONS

© COPYRIGHT BY TYCO ELECTRONICS CORPORATION. ALL RIGHTS RESERVED.

P	LTR	DESCRIPTION	DATE	DWN	APVD
		SEE SHEET 1 OF 2			

TABLE 1

Wire Size(mm ²)	Wire Strip Length	Wire Crimp				Insulation Crimp	
		Width	Height	Form	Area index(%)	Width	Form
TXL 2.0(1.85)	5.3	3.30	1.73±0.03	F	76.75~83.43	4.5	F
FLY,AVSS,AVSSF,AVSSX,AESSXF 2.0(1.9644)							
FLW 2.0(1.987)							
AVS,AEX,AVX 2.0(2.091)			1.87±0.03		78.30~81.41		
AVS 2.5(2.573)							
FLW 3.0(3.134)			2.03±0.03		77.93~82.60		
AEXF,AVS 3.0(3.297)							



SECTION A-A

THIS DRAWING IS A CONTROLLED DOCUMENT FOR TYCO ELECTRONICS CORPORATION IT IS SUBJECT TO CHANGE AND THE CONTROLLING ENGINEERING ORGANIZATION SHOULD BE CONTACTED FOR THE LATEST REVISION.		DWN	TE Connectivity														
DIMENSIONS:		CHK															
TOLERANCES UNLESS OTHERWISE SPECIFIED:		APVD	NAME														
<table border="0"> <tr> <td>0 PLC</td><td>±</td></tr> <tr> <td>1 PLC</td><td>±</td></tr> <tr> <td>2 PLC</td><td>±</td></tr> <tr> <td>3 PLC</td><td>±</td></tr> <tr> <td>4 PLC</td><td>±</td></tr> <tr> <td>ANGLES</td><td>±</td></tr> </table>		0 PLC	±	1 PLC	±	2 PLC	±	3 PLC	±	4 PLC	±	ANGLES	±	PRODUCT SPEC	LOW-PROFILE FUSE RECEPTACLE		
		0 PLC	±														
1 PLC	±																
2 PLC	±																
3 PLC	±																
4 PLC	±																
ANGLES	±																
MATERIAL		APPLICATION SPEC	SIZE	CAGE CODE	DRAWING NO	RESTRICTED TO											
FINISH		WEIGHT	A3	00779	1897664	-											
CUSTOMER DRAWING			SCALE	SHEET 2 OF 2	REV A1												