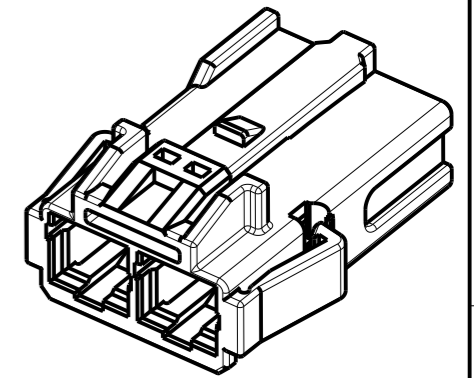
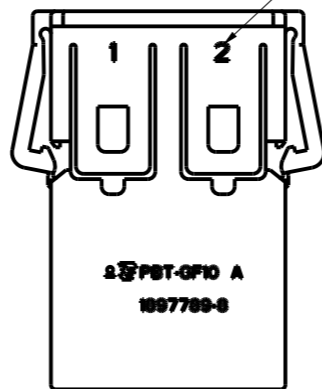
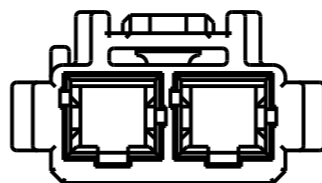
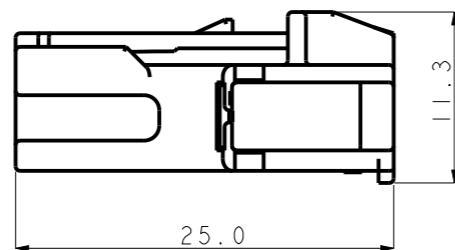
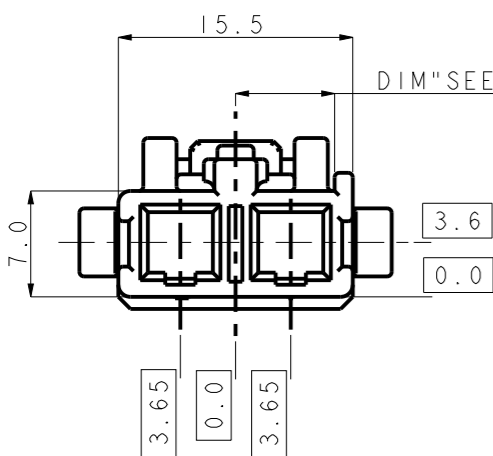
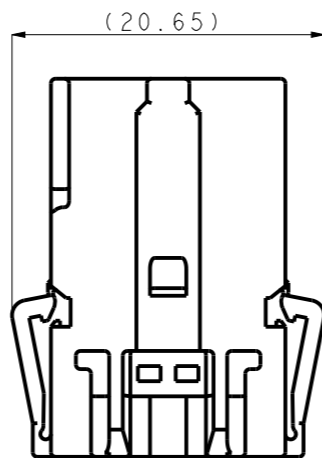


REVISIONS

P	LTR	DESCRIPTION	DATE	DWN	APVD
	BI	REVISED(ECR-20-010259)	28.SEP.'20	JH	GC



ISO VIEW



KEY CODING	
0-1897789-8 (BLUE)	1-1897789-2 (BLACK)

NOTE

1. THE MATING TAB HSG P/N : 1897786
2. APPLICABLE REC. KIT P/N : 1897790
- △ 3. CIRCUIT NO.
4. GENERAL TOLERANCE : ±0.3
- Ⓟ 5. ALTERNATIVE APPLICABLE REC. KIT P/N : 2378436(LC)

PART NO.	DESCRIPTION	MATERIAL	COLOR
0-1897789-8	REC. HSG	PBT-GF10	BLUE
1-1897789-2	REC. HSG	PBT-GF10	BLACK

THIS DRAWING IS A CONTROLLED DOCUMENT.	
DIMENSIONS: mm	TOLERANCES UNLESS OTHERWISE SPECIFIED: 0 PLC ±0.5 1 PLC ±0.5 2 PLC ±0.13 3 PLC ±0.013 4 PLC ±0.0001 ANGLES ±
MATERIAL	FINISH

DWN	GC KWON	03NOV2008
CHK	KT LIM	-
APVD	JK SONG	-
PRODUCT SPEC	-	-
APPLICATION SPEC	114-61023	-
WEIGHT	-	-
CUSTOMER DRAWING		

TE TE Connectivity			
NAME REC. HSG FOR RF STRIPLINE 2P			
SIZE	CAGE CODE	DRAWING NO	RESTRICTED TO
A3	00779	C-1897789	
SCALE	SHEET	OF	REV
2:1	1	1	BI