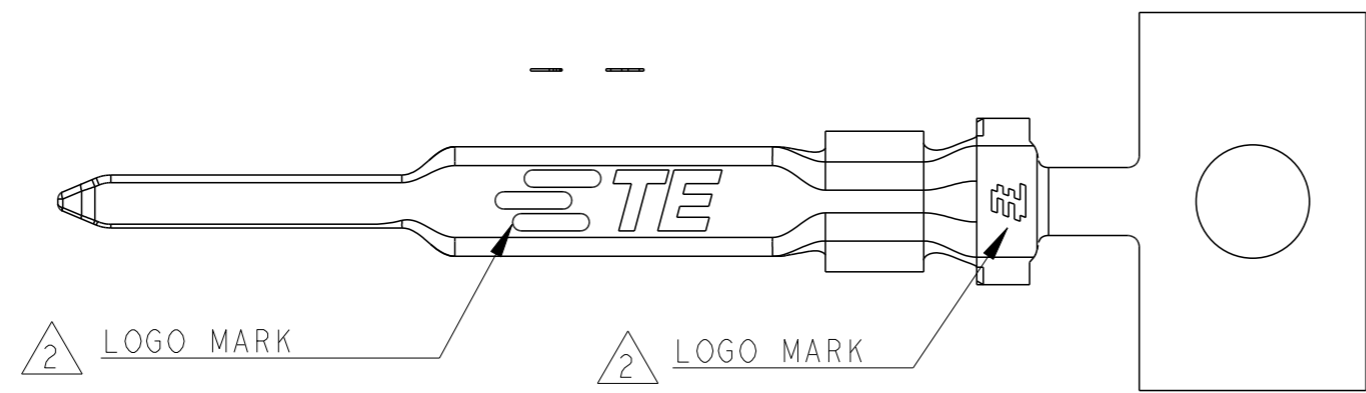
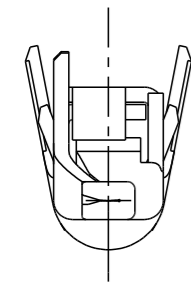
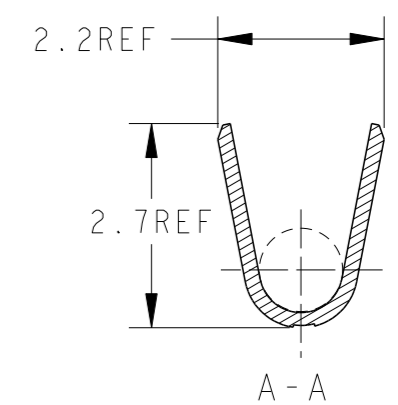
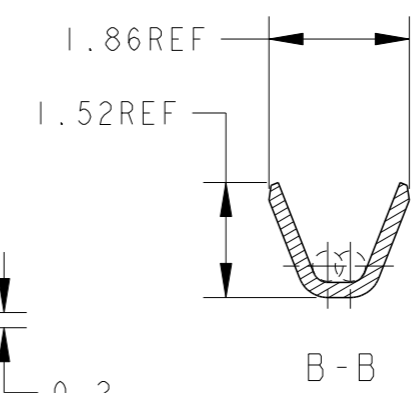
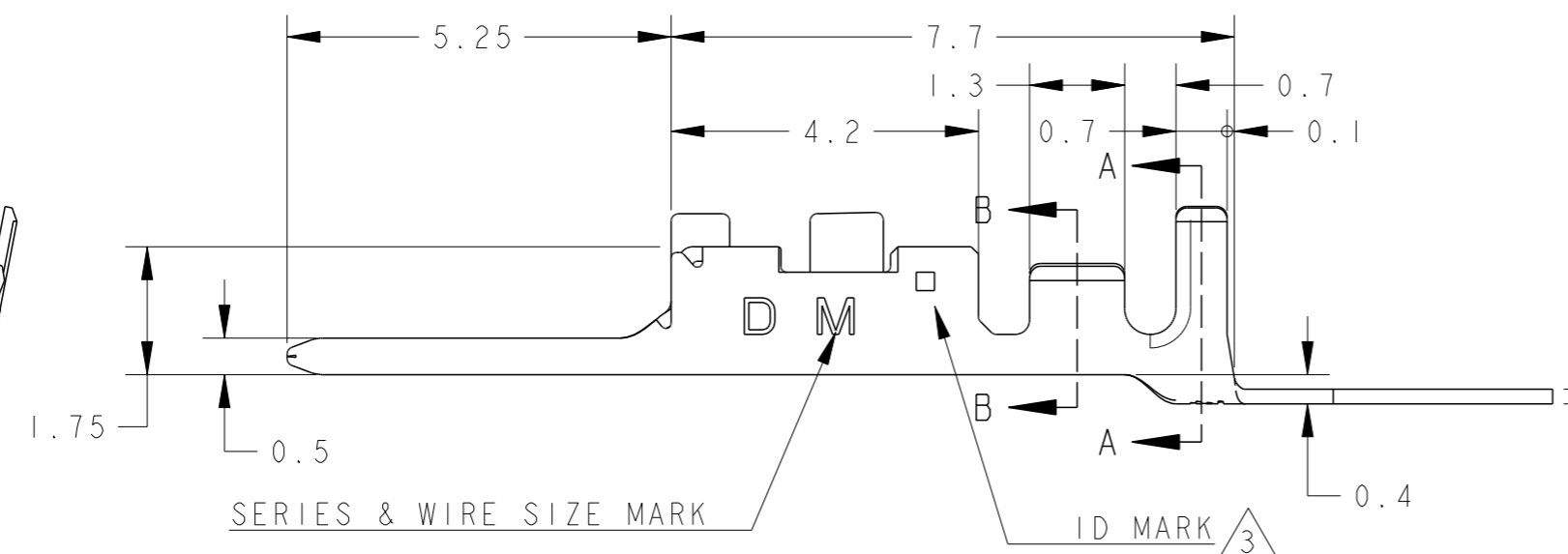
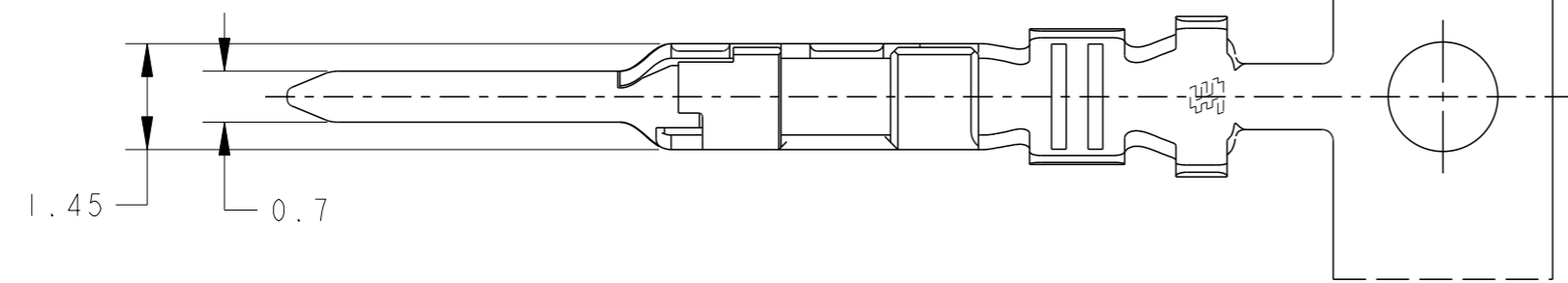


REVISIONS					
P	LTR	DESCRIPTION	DATE	DWN	APVD
	C	REVISED PER ECR-19-016494	24OCT2019	F.Z	R.B



AS SHOWN: 1903120-1

△ PRE-TIN COPPER ALLOY	1903120-1
MATERIAL	PART NO

- 1. THE SHAPE, SIZE AND POSITION OF THE CHARACTER SHOW THE OUTLINE. THEY DON'T SHOW DETAILS.
- △ 2 ALTERNATIVE LOGO MARK FOR DIFFERENT DIE.
- △ 3 ALTERNATIVE ID MARK, WITH "■" OR NO MARK.

THIS DRAWING IS A CONTROLLED DOCUMENT.	
DIMENSIONS: mm	TOLERANCES UNLESS OTHERWISE SPECIFIED: ±0.3, ±3°
	0 PLC ±
	1 PLC ±
	2 PLC ±
	3 PLC ±
	4 PLC ±
	ANGLES ±
MATERIAL	FINISH
△ 1	

DWN	M. MAEBASHI	26APR2006
CHK	T. KUDO	26APR2006
APVD	D. MITSUGI	26APR2006
PRODUCT SPEC	108-78298	
APPLICATION SPEC	114-5377	
WEIGHT	0.126 g	
CUSTOMER DRAWING		

WIRE RANGE	AWG#28-#22	INSULATION DIA	
mm ² 0.08~0.38		∅1.08~∅1.6	
STE TE Connectivity		NAME	
		DYNAMIC D1000 SERIES TAB CONTACT TIN-PLATE M-TYPE REEL	
SIZE	CAGE CODE	DRAWING NO	RESTRICTED TO
A3	00779	C=1903120	
SCALE 10:1		SHEET 1 OF 1	REV C