

REV. LIST		REVISIONS			
NO.	DATE	DESCRIPTION	DATE	DWN	APVD
A		RELEASED	10DEC08	KK	HY
A1		REVISED ECR-09-014331	11SEP12	KK	HY
A2		REVISED ECR-17-002980	14MAR17	KT	TK

-4,1--6;本図
 -4,1--6;AS SHOWN

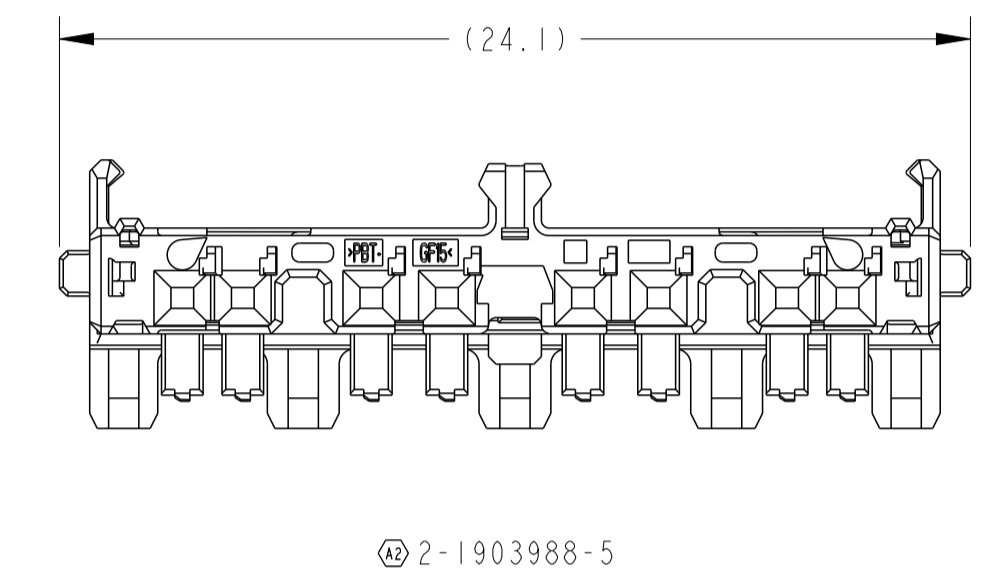
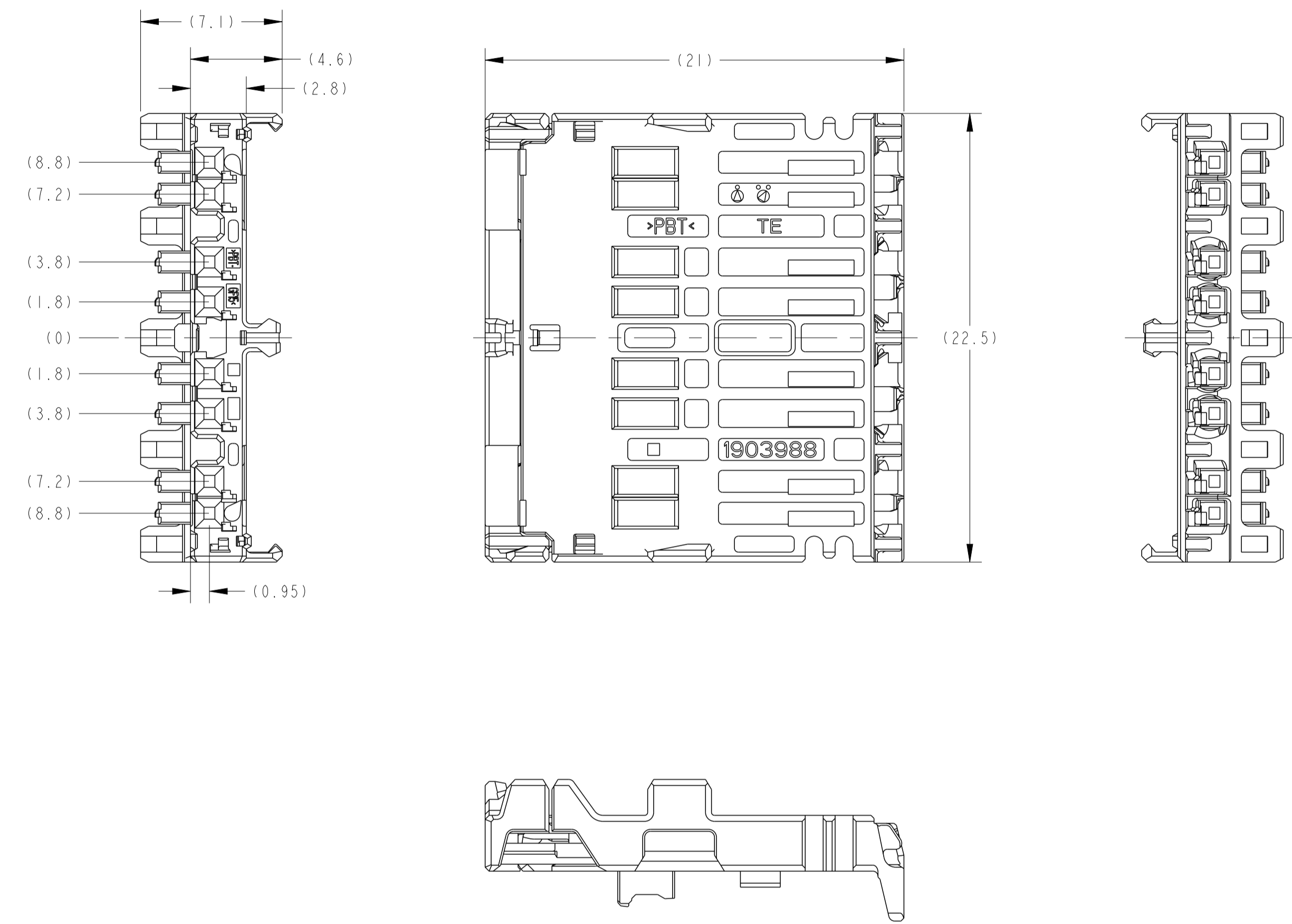


TABLE-1

		APPLIED TERMINAL P/N 適用端子 P/N	APPLICABLE WIRE RANGE 適用電線
SIGNAL 0.5	TIN	1827855-4	0.13-0.5mm ²
	TIN	1827855-1	
	GOLD	1903703-1	
	TIN	1827855-2	
	TIN	1827855-3	

1. 本製品は、別冊のコンポーネントと組合せて使用する。
2. 取扱説明書 NO: 411-78268
3. 組合せ相手型番;取扱説明書を参照のこと。
4. 嵌合相手代表型番;取扱説明書を参照のこと。
5. 適用端子: TABLE-1参照

1. THIS PRODUCT IS USED STACK WITH ANOTHER COMPONENTS.
2. HANDLING OF THIS PART SHOULD FOLLOW INSTRUCTION SHEET NO.411-78268.
3. COMPONENTS NUMBER OF STACKING;REFERENCE TO INSTRUCTION SHEET.
4. MATING CONNECTOR PART(TYPICAL);REFERENCE TO INSTRUCTION SHEET.
5. APPLIED TERMINAL:SEE TABLE-1

PACKING STYLE	COLOR	PART NO.	
PAPER BOX タンボール箱	GRAY	1-1903988-8	
		1-1903988-7	
		1-1903988-6	
		1-1903988-5	
		1-1903988-4	
	SOFT TRAY プラスチックトレイ	NATURAL	② 2-1903988-5
			1-1903988-6
			1-1903988-5
			1903988-4
			1-1903988-3
		1-1903988-2	
		1-1903988-1	

THIS DRAWING IS A CONTROLLED DOCUMENT.

DWN: K. KATO
 CHK: R. KOMIYAMA
 APVD: H. YAMAGAMI

TE Connectivity

0.5 8 POSITION HOUSING ASSY
 STICKING TYPE

MATERIAL: PBT
 FINISH: SEE TABLE
 WEIGHT: 1 g

SIZE: A1
 CAGE CODE: 00779
 DRAWING NO: 1903988

CUSTOMER DRAWING

5:1 SHEET 1 OF 1 REV A2