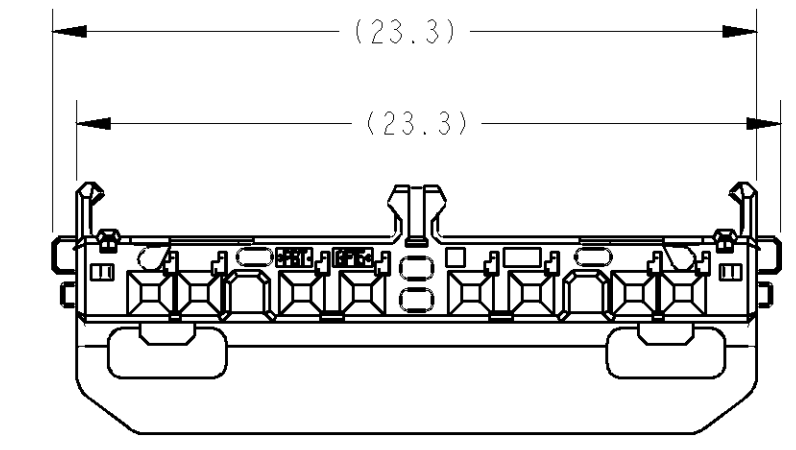
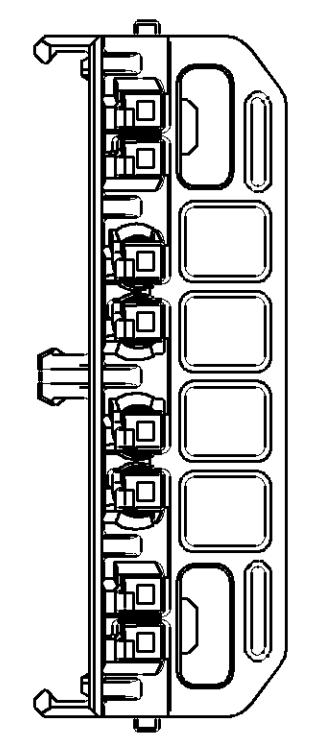
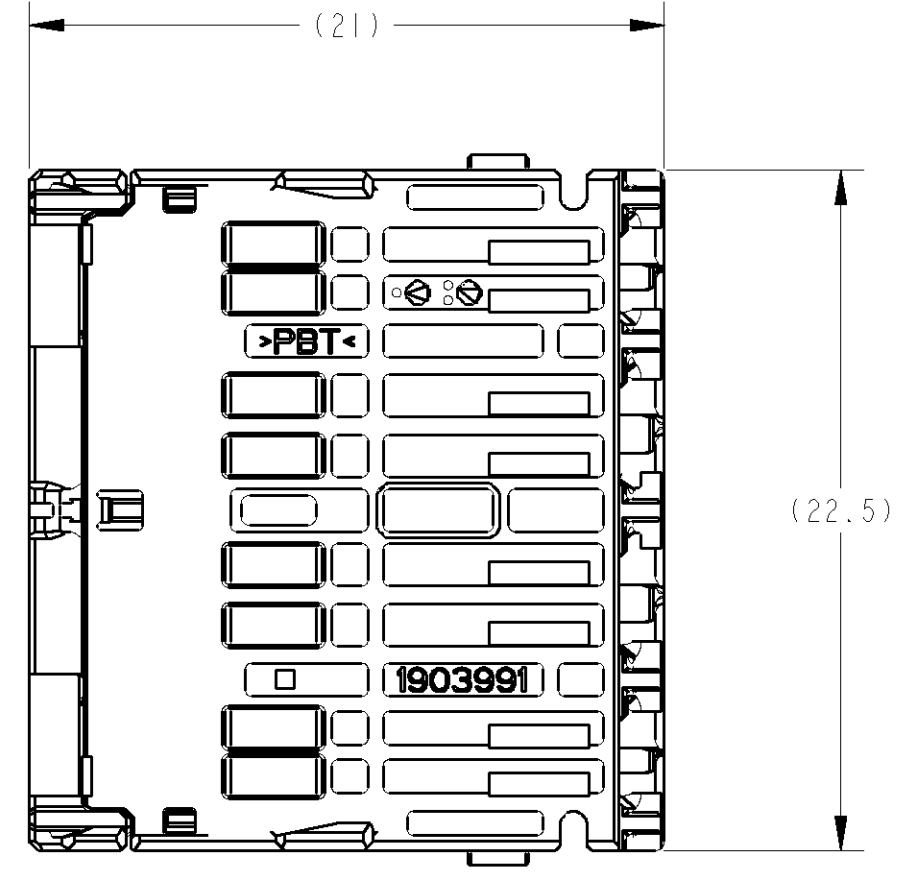
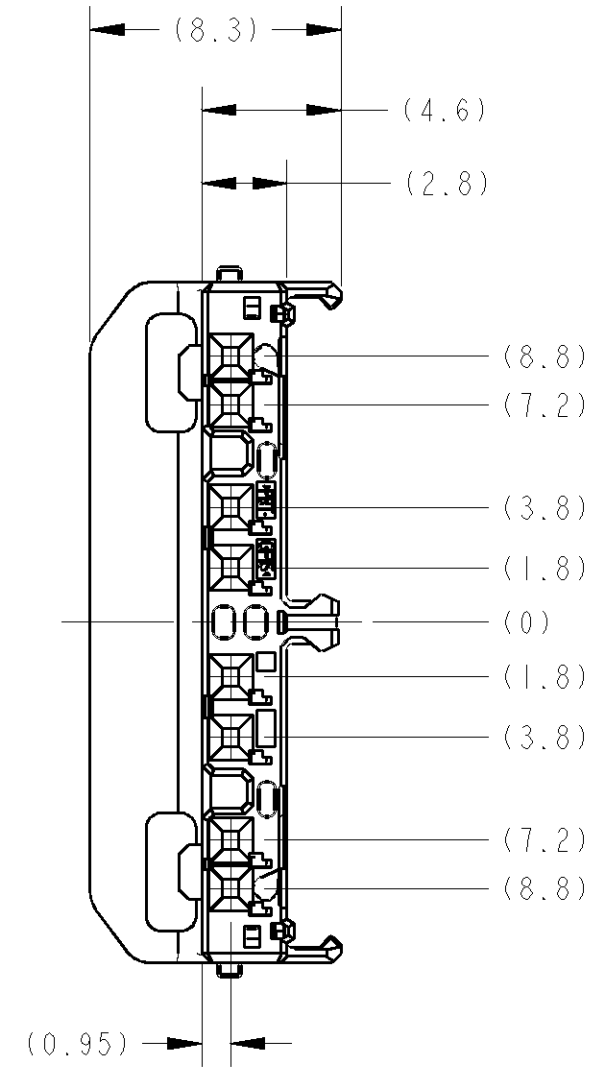


REV. LIST		REVISIONS			
NO.	DATE	DESCRIPTION	DATE	OWN	APVD
A		RELEASED	10DEC08	KK	HY
A1		REVISED ECR-10-017972	02SEP10	TS	KB
A2		REVISED ECR-09-014331	12SEP12	KK	HY

-4,1--6;本図  
 -4,1--6;AS SHOWN



2-1903991-5

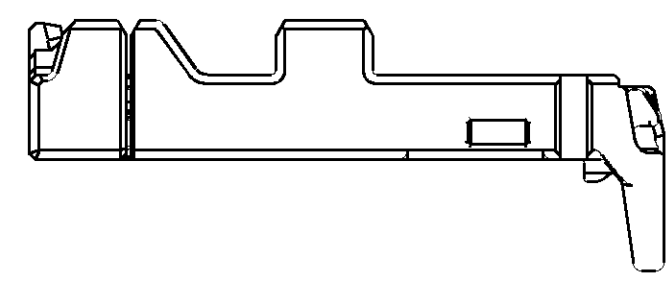


TABLE-1

	APPLIED TERMINAL P/N 適用端子 P/N	APPLICABLE WIRE RANGE 適用電線
SIGNAL 0.5	TIN 1827855-4	0.13-0.5mm <sup>2</sup>
	TIN 1827855-1	
	GOLD 1903703-1	
	TIN 1827855-2	
	TIN 1827855-3	

1. 本製品は、別冊のコンポーネントと組合せて使用する。
2. 取扱説明書 NO: 411-78268
3. 組合せ相手型番: 取扱説明書を参照のこと。
4. 嵌合相手代表型番: 取扱説明書を参照のこと。
5. 適用端子: TABLE-1 参照

1. THIS PRODUCT IS USED STACK WITH ANOTHER COMPONENTS.
2. HANDLING OF THIS PART SHOULD FOLLOW INSTRUCTION SHEET NO.411-78268.
3. COMPONENTS NUMBER OF STACKING;REFERENCE TO INSTRUCTION SHEET.
4. MATING CONNECTOR PART(TYPICAL);REFERENCE TO INSTRUCTION SHEET.
5. APPLIED TERMINAL:SEE TABLE-1

PAPER BOX タフボール箱	SOFT TRAY プラスチックトレイ	GRAY	<del>1-1903991-8</del>
			<del>1-1903991-7</del>
			1-1903991-6
			<del>1-1903991-5</del>
			<del>1-1903991-4</del>
OUTER 外装	INNER 内装	NATURAL	<del>1-1903991-3</del>
			<del>2-1903991-5</del>
			<del>1-1903991-6</del>
			<del>1-1903991-5</del>
			1903991-4
PACKING STYLE 梱包形態	COLOR	PART NO.	<del>1-1903991-3</del>
			<del>1-1903991-2</del>
			<del>1-1903991-1</del>

THIS DRAWING IS A CONTROLLED DOCUMENT.		OWN R. KATO	10DEC08	<b>STE</b> TE Connectivity	
DIMENSIONS: mm		CHK R. KOMIYAMA	10DEC08		
TOLERANCES UNLESS OTHERWISE SPECIFIED: mm		APVD H. YAMAGAMI	10DEC08	NAME 0.5 8 POSITION HOUSING ASSY STACKING TYPE	
DIMENSIONS: mm		PRODUCT SPEC 108-78437		SIZE A1	
MATERIAL PBT		APPLICATION SPEC 108-78437		CAGE CODE 00779	
FINISH SEE TABLE		WEIGHT 1 g		DRAWING NO. 1903991	
		CUSTOMER DRAWING		SHEET 4:1 OF 1 REV. A2	