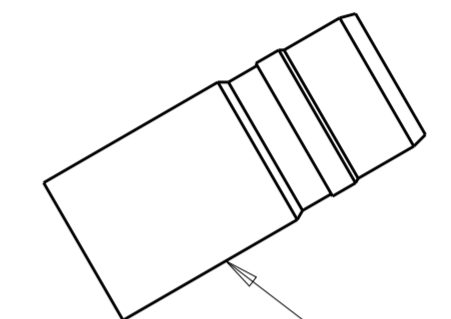
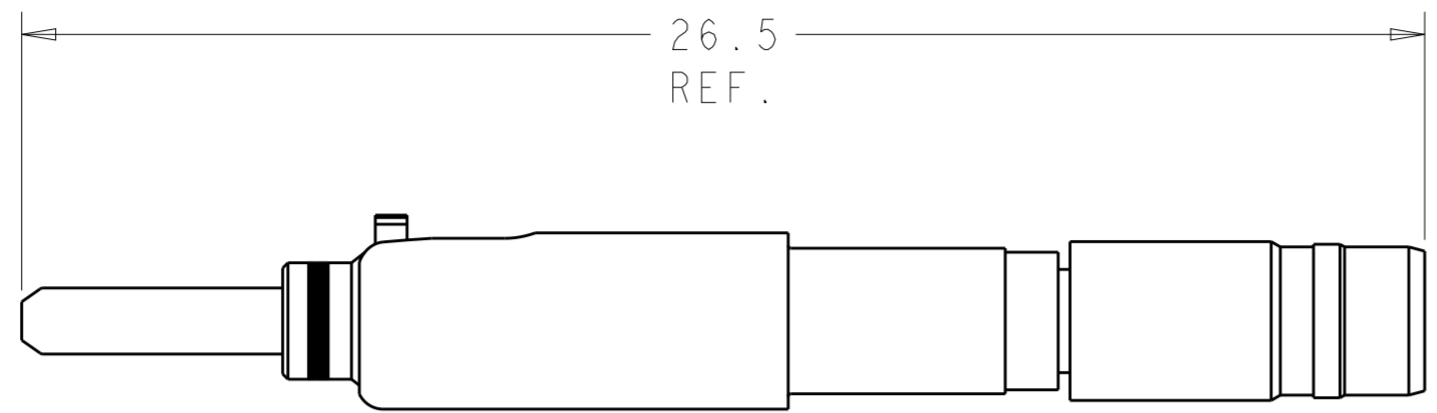
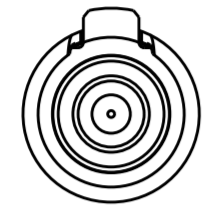


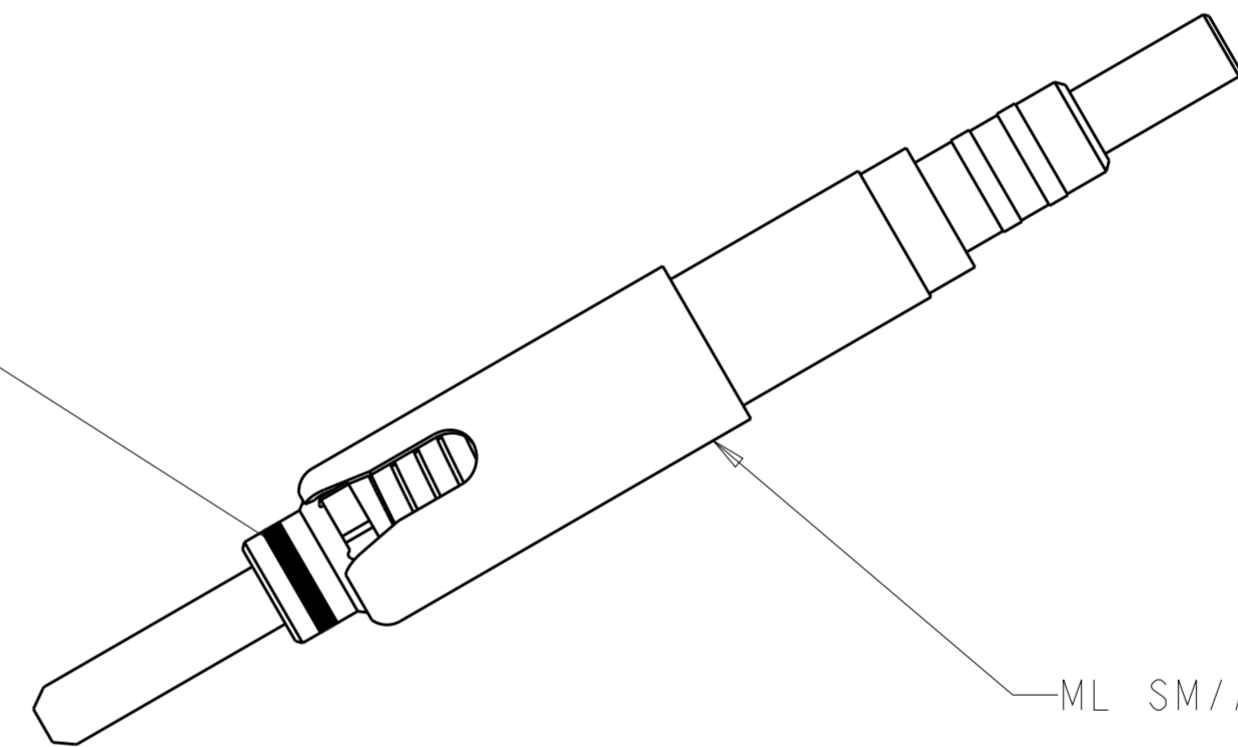
THIS DRAWING IS UNPUBLISHED. RELEASED FOR PUBLICATION 20
 © COPYRIGHT 20 BY - ALL RIGHTS RESERVED.

REVISIONS				
P	LTR	DESCRIPTION	DATE	APVD
A		ECR-13-010218	01OCT2013	KG DW



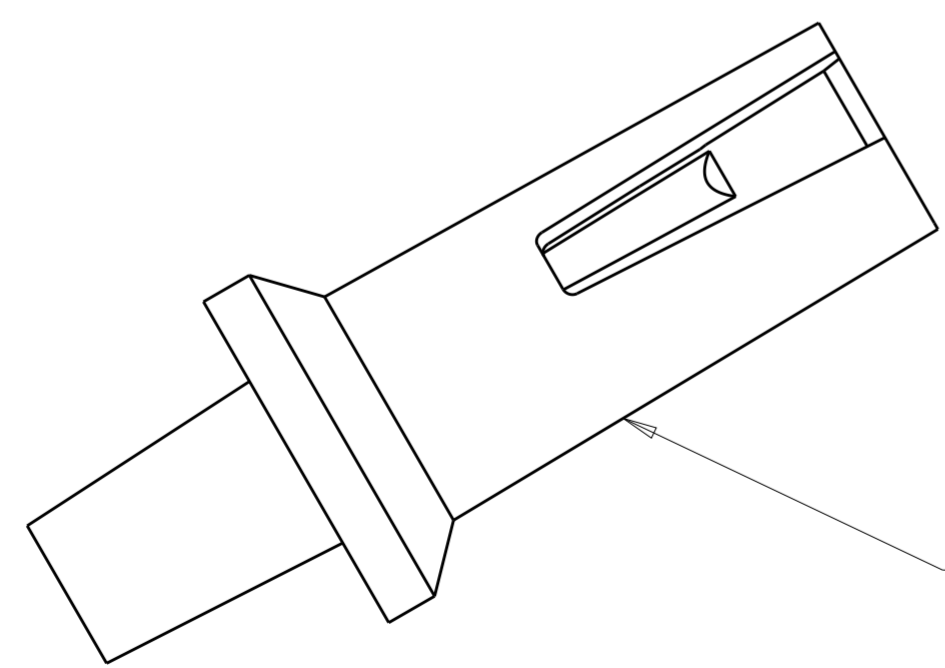
CRIMP SLEEVE

GREEN BAND INDICATES SINGLEMODE/APC TERMINUS



ML SM/APC TERMINUS ARINC 801

1. MATERIAL:
 PROTECTIVE COVER: THERMOPLASTIC
 FERRULE: ZIRCONIA
 FERRULE BASE: NICKEL PLATED COPPER ALLOY
 INDEX COVER: NICKEL PLATED COPPER ALLOY
 CRIMP SLEEVE: NICKEL PLATED COPPER ALLOY
 SPRING: STAINLESS STEEL



PROTECTIVE COVER

1918616-1
 PART NUMBER

THIS DRAWING IS A CONTROLLED DOCUMENT.		DWN D. FENNEL	25JAN2011	TE Connectivity	
DIMENSIONS:		CHK J. BARRY	25JAN2011		
TOLERANCES UNLESS OTHERWISE SPECIFIED:		APVD J. BARRY	25JAN2011		
mm	0 PLC ±	PRODUCT SPEC		NAME ARINC 801 CONNECTOR KIT, ML, SM/APC	
	1 PLC ±	APPLICATION SPEC		RESTRICTED TO	
	2 PLC ±	WEIGHT		SIZE A2	CAGE CODE -
	3 PLC ±	Customer Drawing		DRAWING NO C-1918616	SCALE 7:1
	4 PLC ±			SHEET 1	OF 1
	ANGLES ±			REV A	
	FINISH				