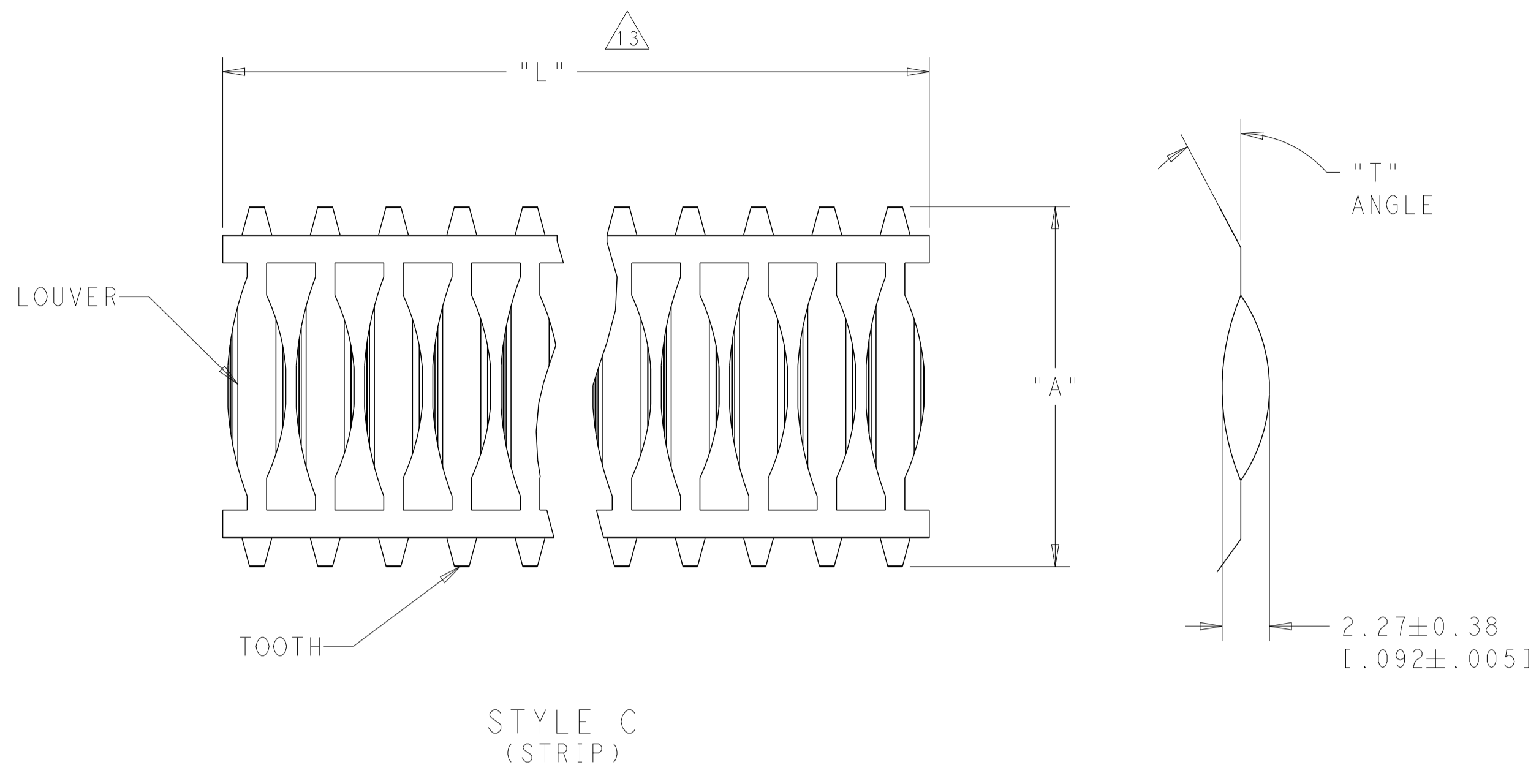
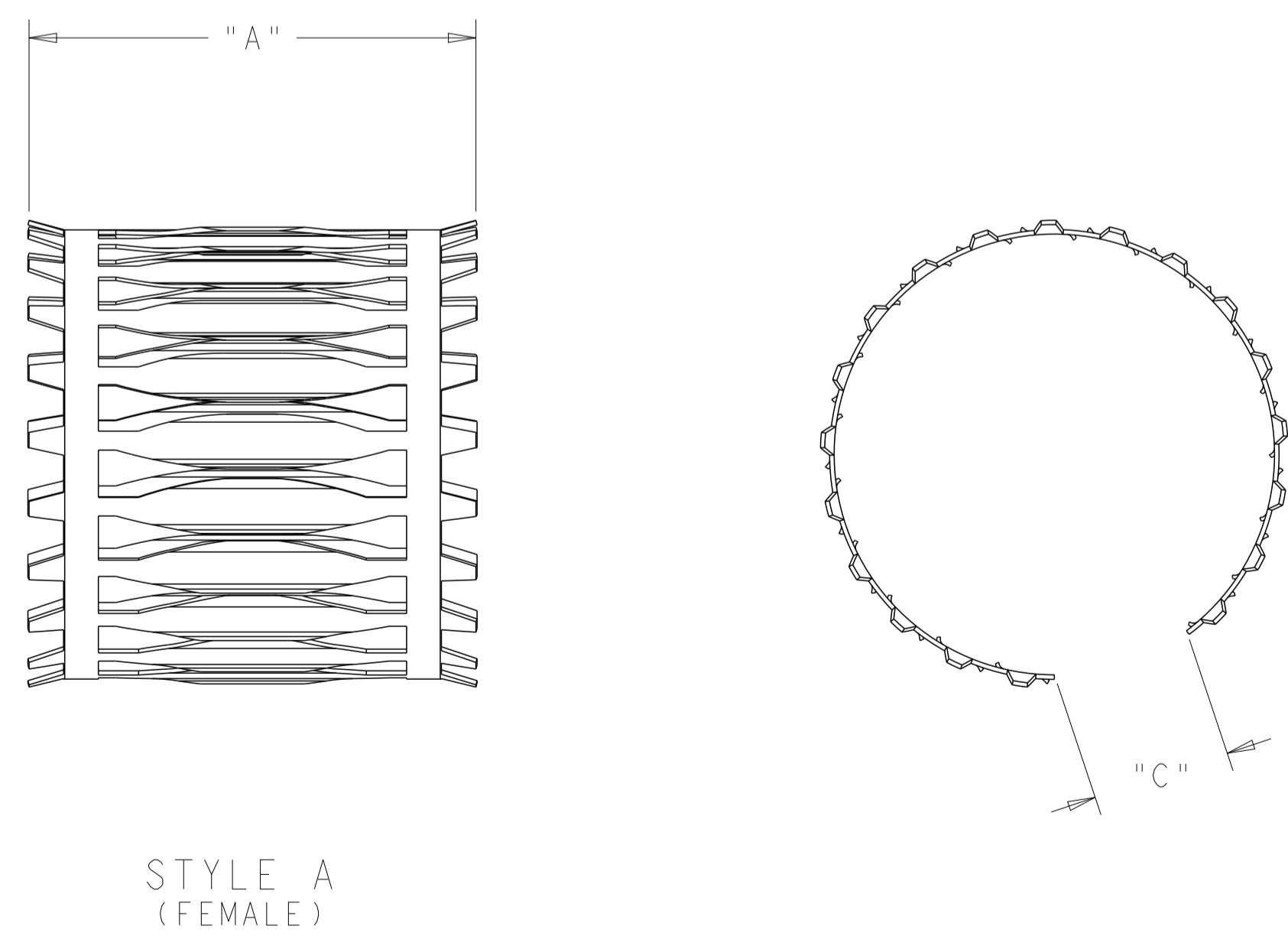


REVISIONS				
P	LTN	DESCRIPTION	DATE	APPD
L		REV PER ECO-10-018478	15SEP2010	RG DO
M		REV PER ECO-17-013721	21DEC2017	RS MZ



1. FINISH - SILVER PLATE 500μINCHES MIN THK.
2. FINISH - NICKEL PLATE 40μINCHES MIN THK
3. FINISH - GOLD PLATE 10μINCHES MIN THK.
- 4 LENGTH TO BE 7.6 INCHES
- 5 LENGTH TO BE 10.8 INCHES
6. PLATING NOTES ARE TO BE INTERPRETED AS FOLLOWS: 1-2 AS 1 OVER 2.
- 7 PRODUCT SOLD BY THE FOOT.
- 8 LENGTH 9.2 INCHES
- 9 LENGTH 8.0 INCHES
- 10 LENGTH 11.9 INCHES
- 11 PACKAGED 18 PCS PER BAG
- 12 DIMENSION "C" TO BE 6.0 INCHES MIN
- 13 PITCH: FIVE (5) LOUVERS PER INCH (NOMINAL)
- 14 LENGTH 5.438 INCHES REF 28 LOUVERS
- 15.FINISH - SILVER PLATE 200μINCHES MIN THK.
- 16 PRELIMINARY PART NUMBER
- 17 OBSOLETE PARTS: OBSOLETE CIS STREAMLINING PER D.RENAUD/D.SINISI
- 18 LENGTH 12.0 INCHES REFERENCE 62 LOUVERS
- 19 SPECIAL PACKAGING



STYLE	WIDTH A	NUMBER OF LOUVER	PLATING (NOTE NO)	TOOTH ANGLE	MAT'L THK	HUGIN PN	PART NUMBER
OBSOLETE	C	25.91 [1.02]	18	1-2	15	0.15 [0.008]	2-192000-3
OBSOLETE	C	25.91 [1.02]	14	17-2	15	0.25 [0.010]	2-192000-2
OBSOLETE	A	25.02 [0.98]	10	UNPLATED	45	0.25 [0.010]	2-192000-1
OBSOLETE	A	25.02 [0.98]	9	UNPLATED	45	0.25 [0.010]	2-192000-0
OBSOLETE	A	25.02 [0.98]	8	1-2	45	0.25 [0.010]	1-192000-9
OBSOLETE	A	25.02 [0.98]	8	UNPLATED	45	0.25 [0.010]	1-192000-8
OBSOLETE	A	25.02 [0.98]	5	1-2	45	0.25 [0.010]	1-192000-7
OBSOLETE	A	25.02 [0.98]	4	1-2	45	0.25 [0.010]	1-192000-6
OBSOLETE	A	25.02 [0.98]	5	UNPLATED	45	0.25 [0.010]	1-192000-5
OBSOLETE	A	25.02 [0.98]	4	UNPLATED	45	0.25 [0.010]	1-192000-4
OBSOLETE							1-192000-3
OBSOLETE							1-192000-2
OBSOLETE	C	25.02 [0.98]	7	1-2	45	0.25 [0.010]	00009 1-192000-1
OBSOLETE	C	25.02 [0.98]	7	UNPLATED	45	0.25 [0.010]	00012 1-192000-0
OBSOLETE	C	25.91 [1.02]	7	1-2	15	0.25 [0.010]	00006 192000-9
OBSOLETE	C	25.91 [1.02]	7	UNPLATED	15	0.25 [0.010]	00015 192000-8
OBSOLETE							192000-7
OBSOLETE							192000-6
OBSOLETE	C	25.02 [0.98]	7	1-2	45	0.15 [0.006]	00018 192000-5
OBSOLETE	C	25.02 [0.98]	7	UNPLATED	45	0.15 [0.006]	00017 192000-4
OBSOLETE	C	25.91 [1.02]	7	3-2	15	0.15 [0.006]	00021 192000-3
OBSOLETE	C	25.91 [1.02]	7	1-2	15	0.15 [0.006]	00002 192000-2
OBSOLETE	C	25.91 [1.02]	7	UNPLATED	15	0.15 [0.006]	00001 192000-1

THIS DRAWING IS A CONTROLLED DOCUMENT. DWG: TURNER/GRZYBOWSKI, CHK: D. ORRIS, APPD: GLASER/ORRIS, 15SEP2010

TE Connectivity

CONTACT BAND FEMALE

SCALE 3:1 SHEET 1 OF 1 REV M