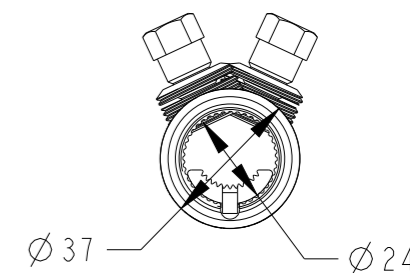
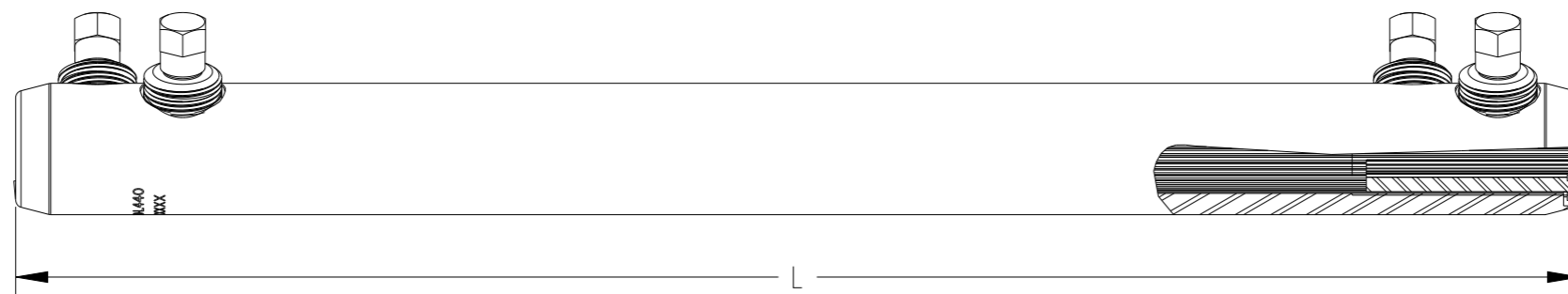
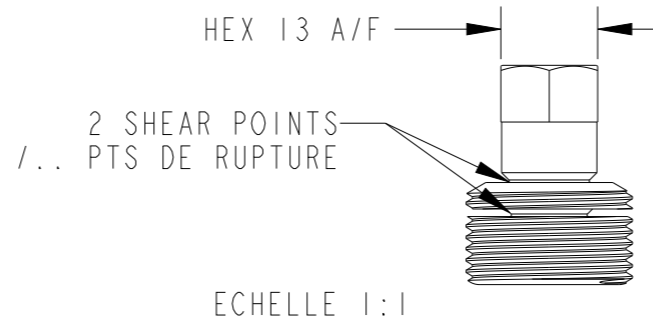
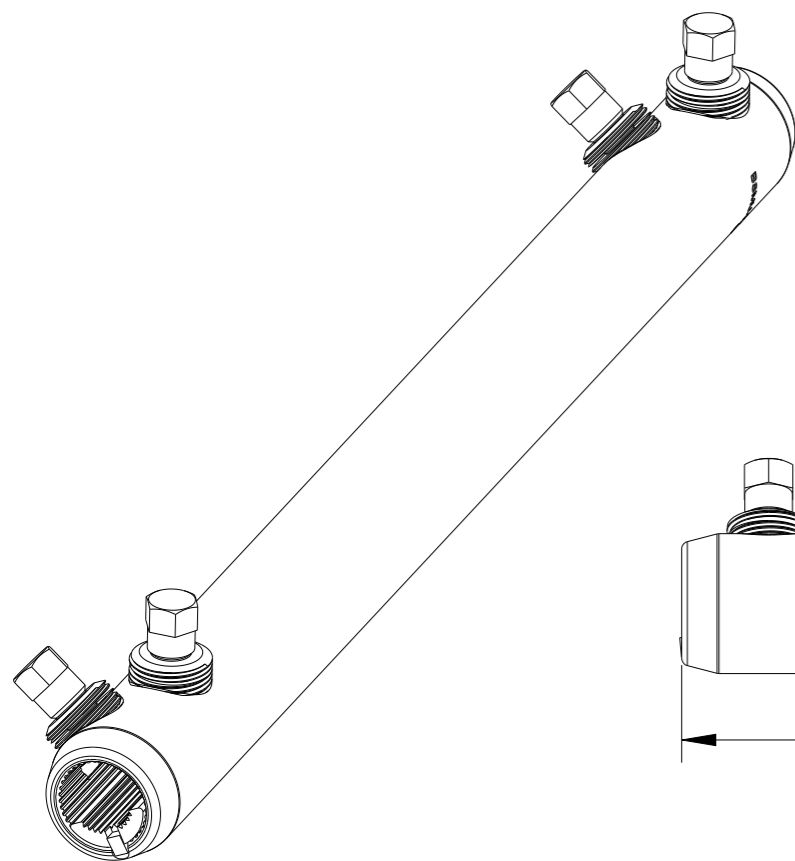


© 2022 TE Connectivity. All Rights Reserved.

LIBRE A LA DIFFUSION
TOUS DROITS RESERVES

REVISIONS

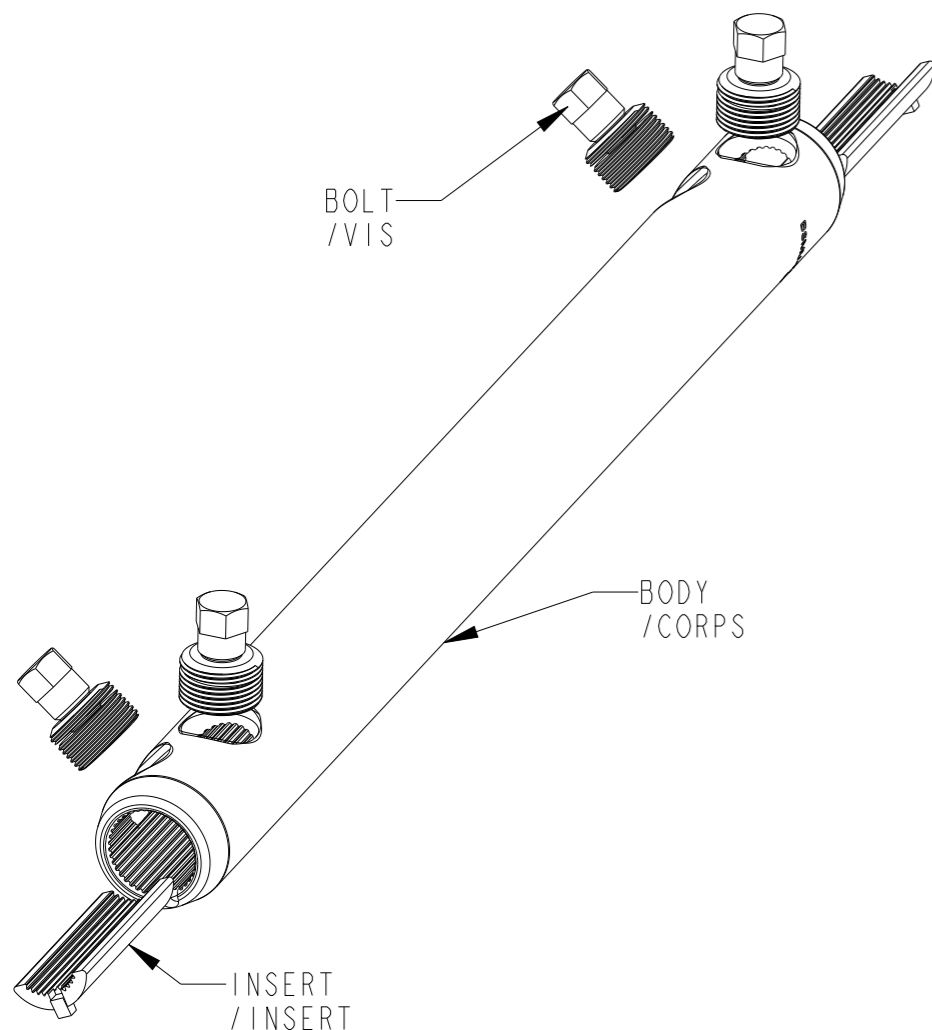
P	LTR REV	DESCRIPTION MODIFICATIONS	DATE	DWN DESS.	APVD APP.
	A	CREATION	05-Sep-06	GC	GP
	B	ADD NEW PRODUCT L620	15FEB2022	BM	NA



BSMU-120/300-L620	1923664-2	620mm	1090g
BSMU-120/300-L440	CA6616N001	440mm	800g
DESCRIPTION	PART NUMBER	DIMENSION L	WEIGHT

	AL				CU		
	ROUND STRANDED /Rond câblé /RM	ROUND SOLID /Rond solide /RE	SECTOR STRANDED /Sectoral câblé /SM	SECTOR SOLID /Sectoral câblé /SE	ROUND STRANDED /Rond câblé /RM	SECTOR STRANDED /Sectoral câblé /SM	ROUND FLEXIBLE
CONDUCTOR CROSS-SECTION /Section conducteur /Querschnittsbereich mm ²	120-300	150-300	120-185 (240/300 gerundet) (240/300 with rounding)	120-240	120-300	120-185 (240/300 gerundet) (240/300 with rounding)	240-300
CONDUCTOR DIAMETER /Diamètre conducteur /Leiterdurchmesser mm	Ø 12.7-Ø 23.1	Ø 12.9-Ø 19.8	-	-	Ø 12.7-Ø 22.6	-	Ø 20-Ø 23.5

TOLERANCES UNLESS OTHERWISE SPECIFIED: -
TOLERANCES NON SPECIFIEES: -



THIS DRAWING IS A CONTROLLED DOCUMENT.
CE PLAN EST UN DOCUMENT CONTROLE PAR TYCO ELECTRONICS CORPORATION
IL EST SUSCEPTIBLE D'ETRE REVISE. CONTACTER LE SERVICE
TECHNIQUE POUR OBTENIR LA DERNIERE REVISION.

DWN/DESSINE 05-Sep-06
G. CARLHIAN
CHK/VERIFIE B. PELTIER
APVD/APPROUVE N. ALMEIDA
PRODUCT SPEC SPEC. PRODUIT -
APPLICATION SPEC SPEC. APPLICATION -

TE Connectivity

NAME TITRE BSMU-120/300-L440
BSMU-120/300-L620

SIZE FORMAT A3
CAGE CODE 00779
DRAWING NO No PLAN C=1923664
RESTRICTED TO RESERVE A -

WEIGHT MASSE APPROX. see tab.

MATERIAL MATIERE Al Alloy
FINISH FINITION TINNED

CUSTOMER DRAWING /PLAN CLIENT
UNIQUEMENT POUR REFERENCE
SCALE ECHELLE 1:2
SHEET FEUILLE 1 OF DE 1
REV B