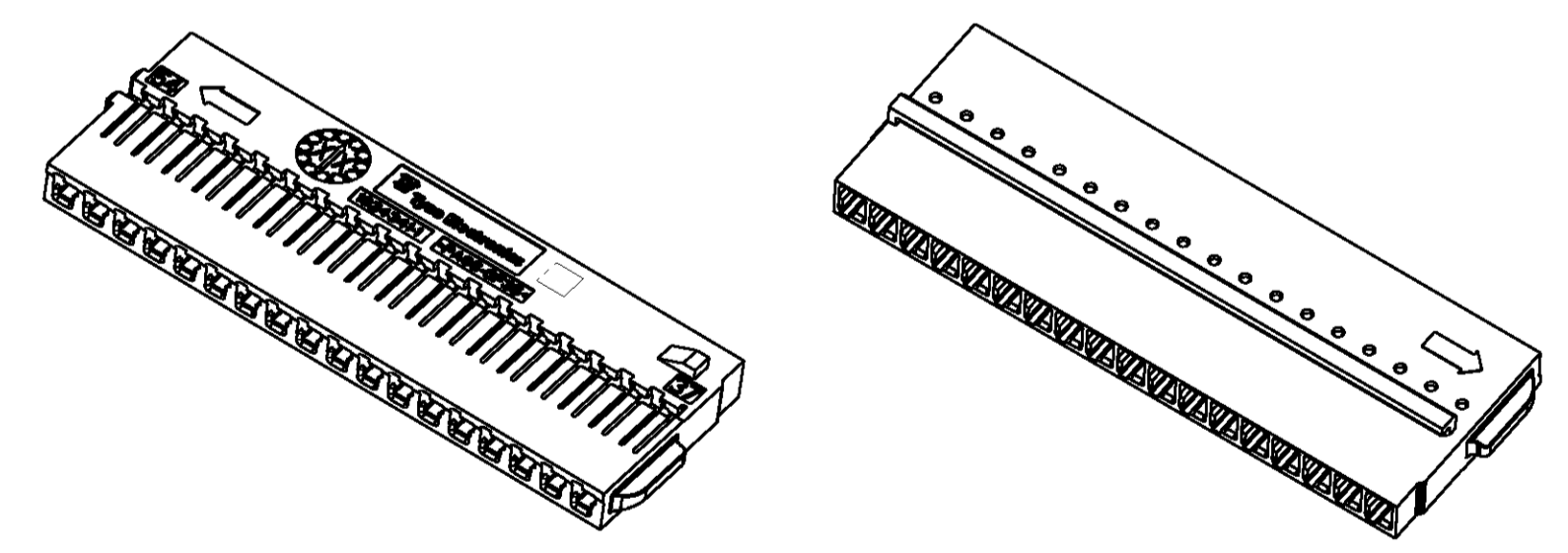
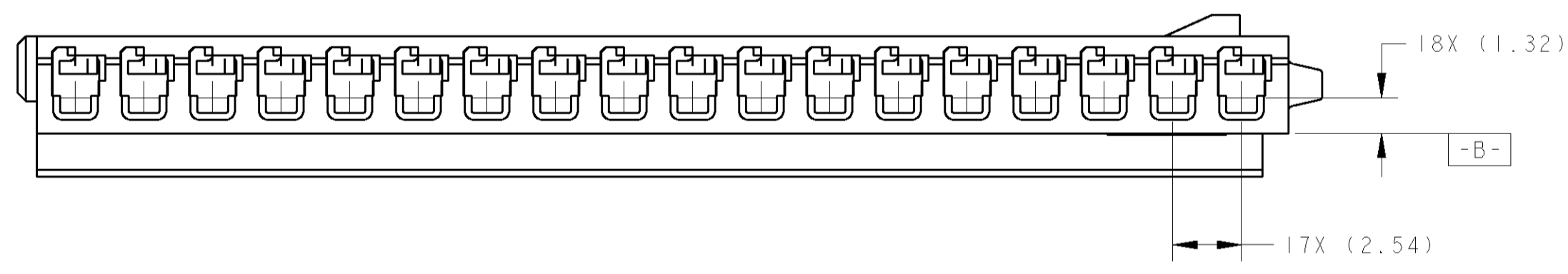
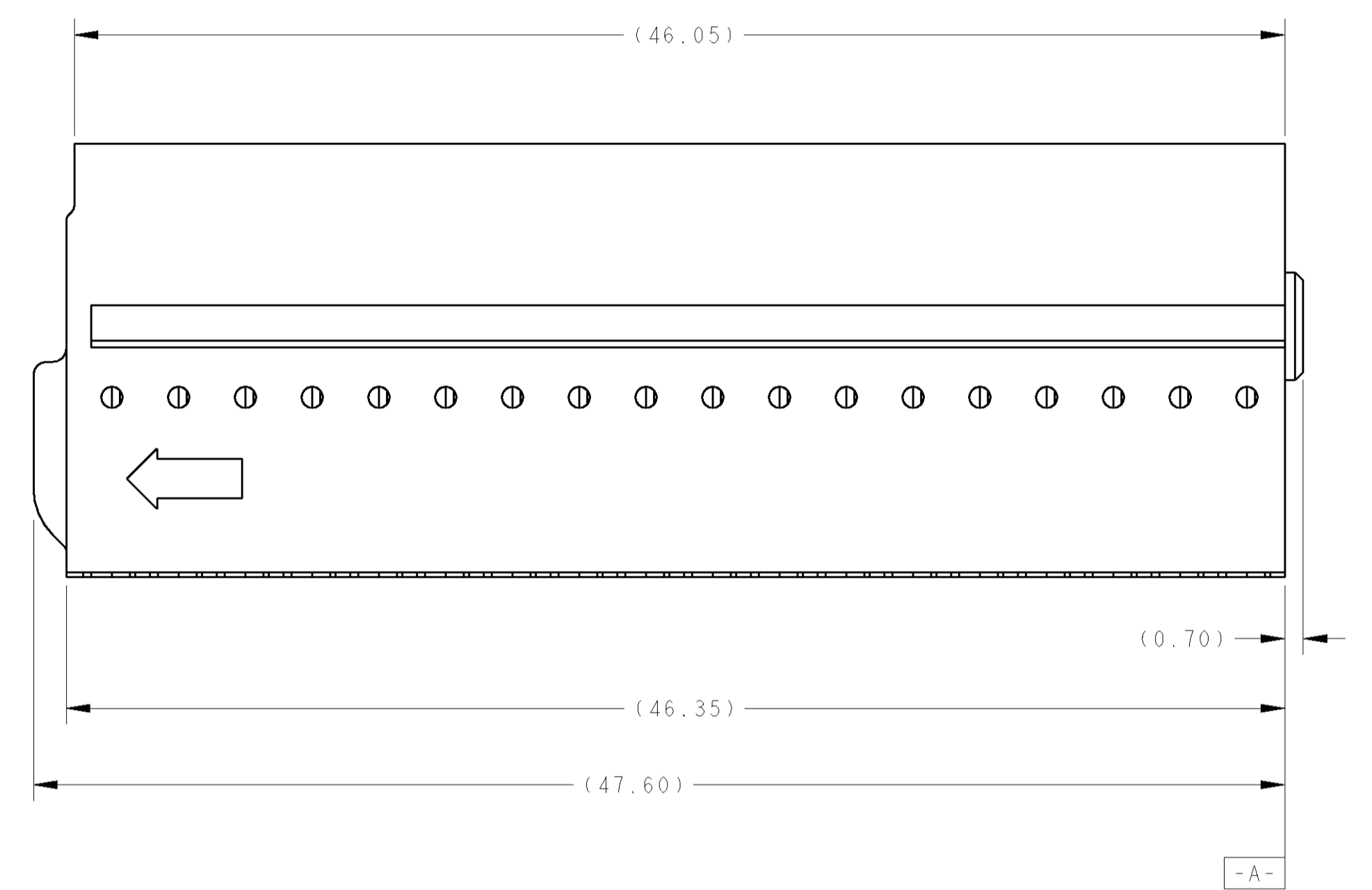
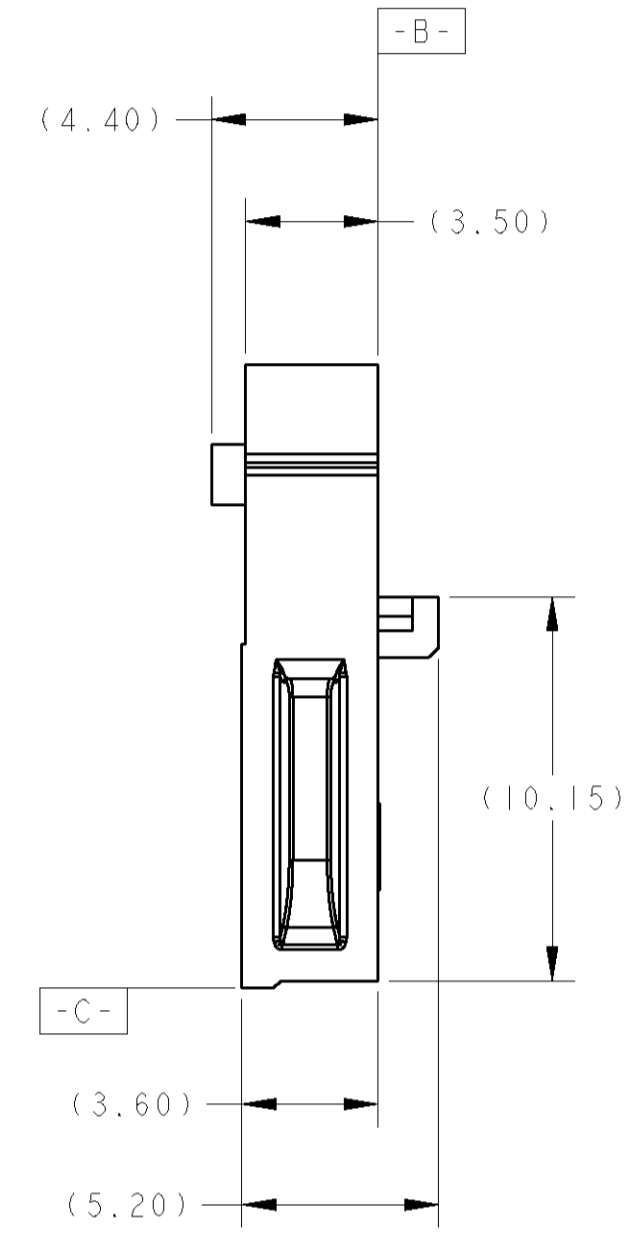
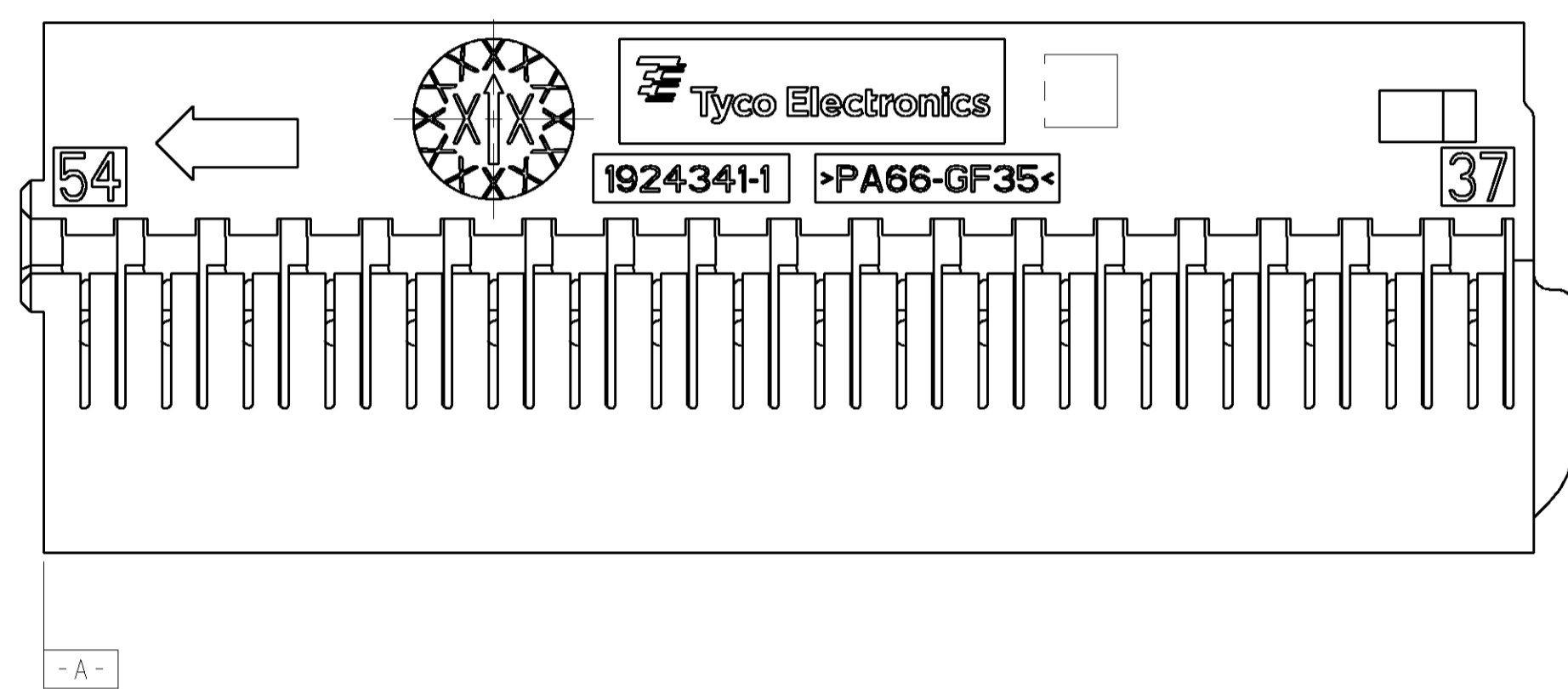
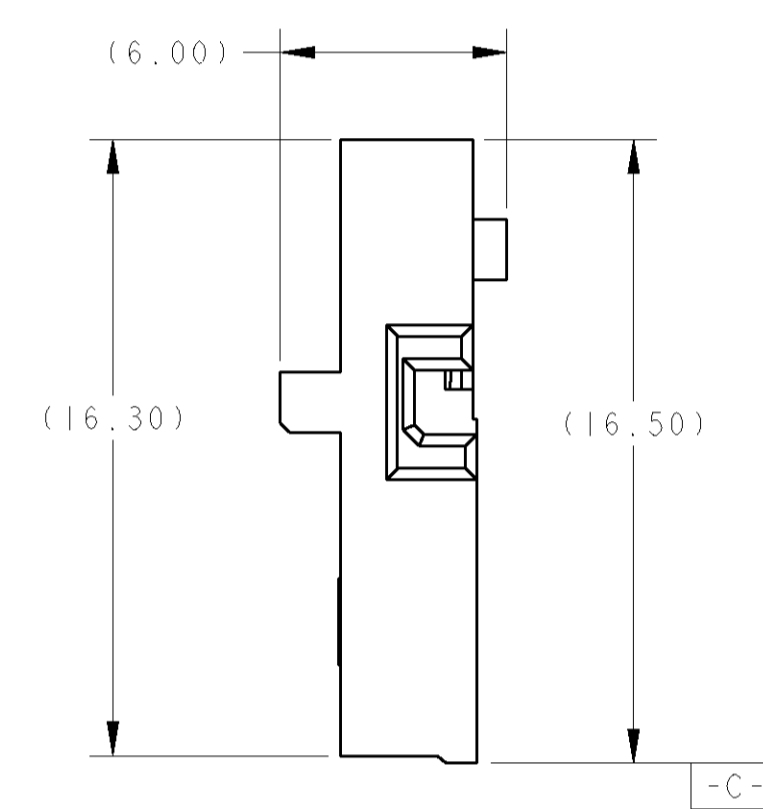
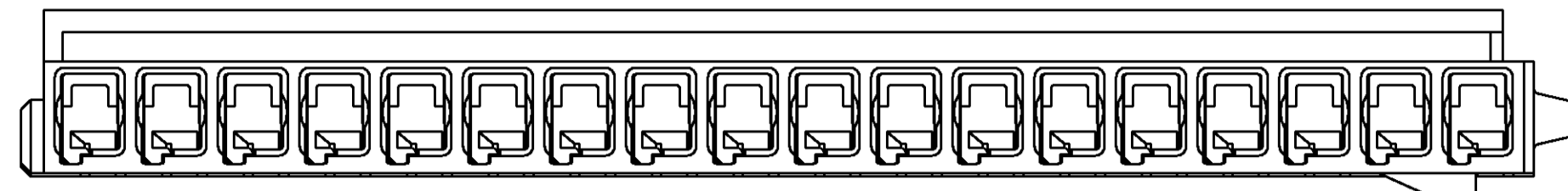


LOC		DIST		REVISIONS			
		P	LTR	DESCRIPTION	DATE	DWN	APVD
1	N	A		RLSD PER ECR 07-024469	03JAN2008	RGV	RDH



ISOMETRIC VIEWS
SCALE 2:1

- ▲ MATERIAL: NYLON 6/6, 35% GLASS FILLED, BLACK.
- 2. RECEPTACLES SOLD SEPARATELY, SEE TYCO ELECTRONICS P/N 1456574 FOR TERMINATION AND REELING OPTIONS.
- 3. SINGLE ROW CARRIER ASSEMBLES TO TYCO ELECTRONICS DOUBLE ROW CARRIER P/N 1924340-1, AND IS USED IN TYCO ELECTRONICS SHIELD ASSEMBLY P/N 1924337.

BLACK	▲	1924341-1
COLOR REF	MATERIAL	PART NUMBER

DIMENSIONS: mm 		TOLERANCES UNLESS OTHERWISE SPECIFIED: 0 PLC ± 1 PLC ±0.1 2 PLC ±0.05 3 PLC ± 4 PLC ± ANGLES ±1°		DWN R. FOLTZ 22MAY2007 CHK G. MARTIN 23MAY2007 APVD G. MARTIN 23MAY2007		Tyco Electronics Harrisburg, PA 17105-3608	
MATERIAL SEE TABLE		FINISH -		WEIGHT -		NAME CARRIER, SINGLE ROW, 18 POSITION, 0.64mm GenY CONNECTOR SIZE CAGE CODE DRAWING NO. RESTRICTED TO A100779C=1924341 -	
CUSTOMER DRAWING				SCALE 5:1		SHEET 1 OF 1 REV A	