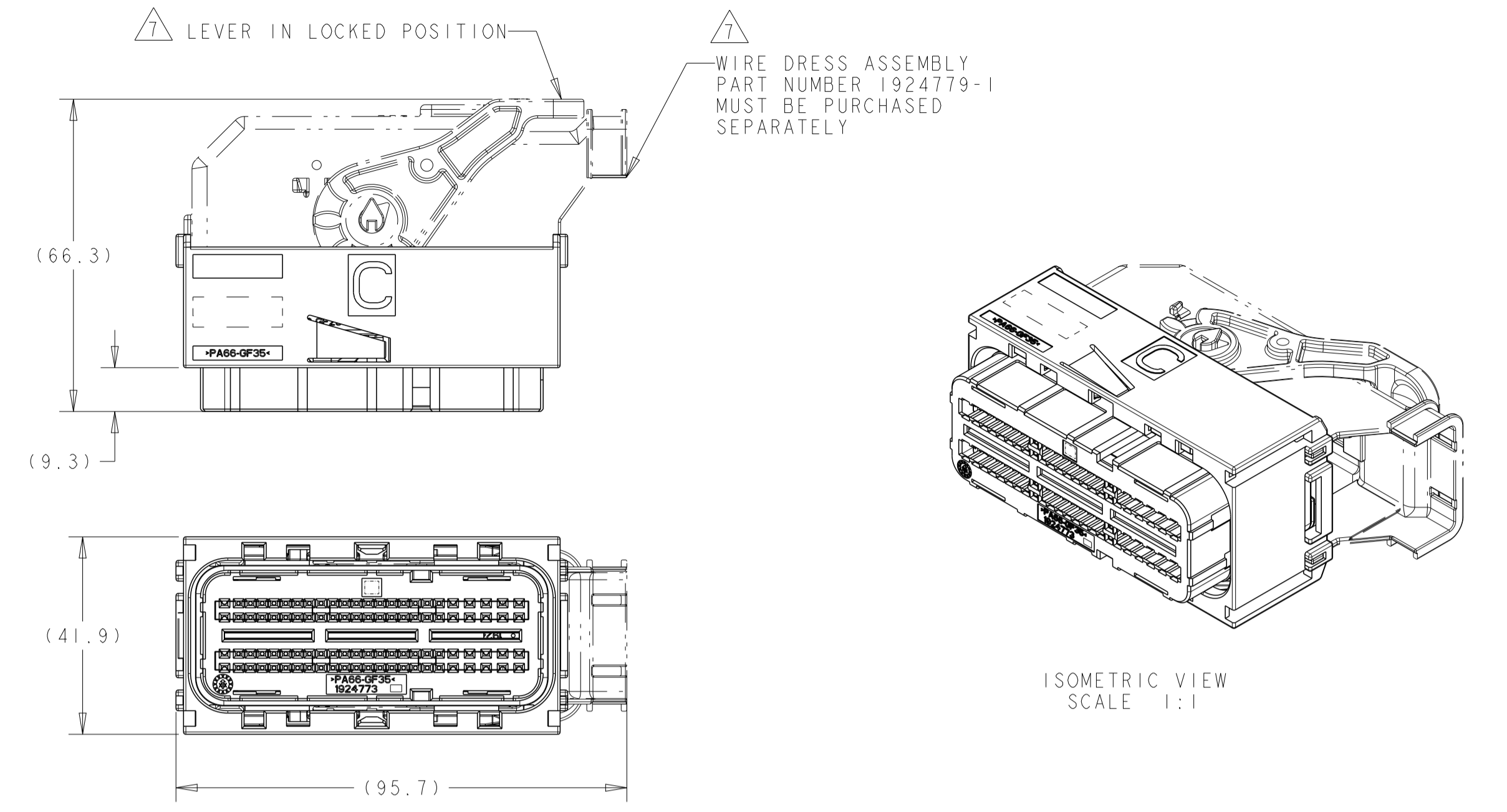
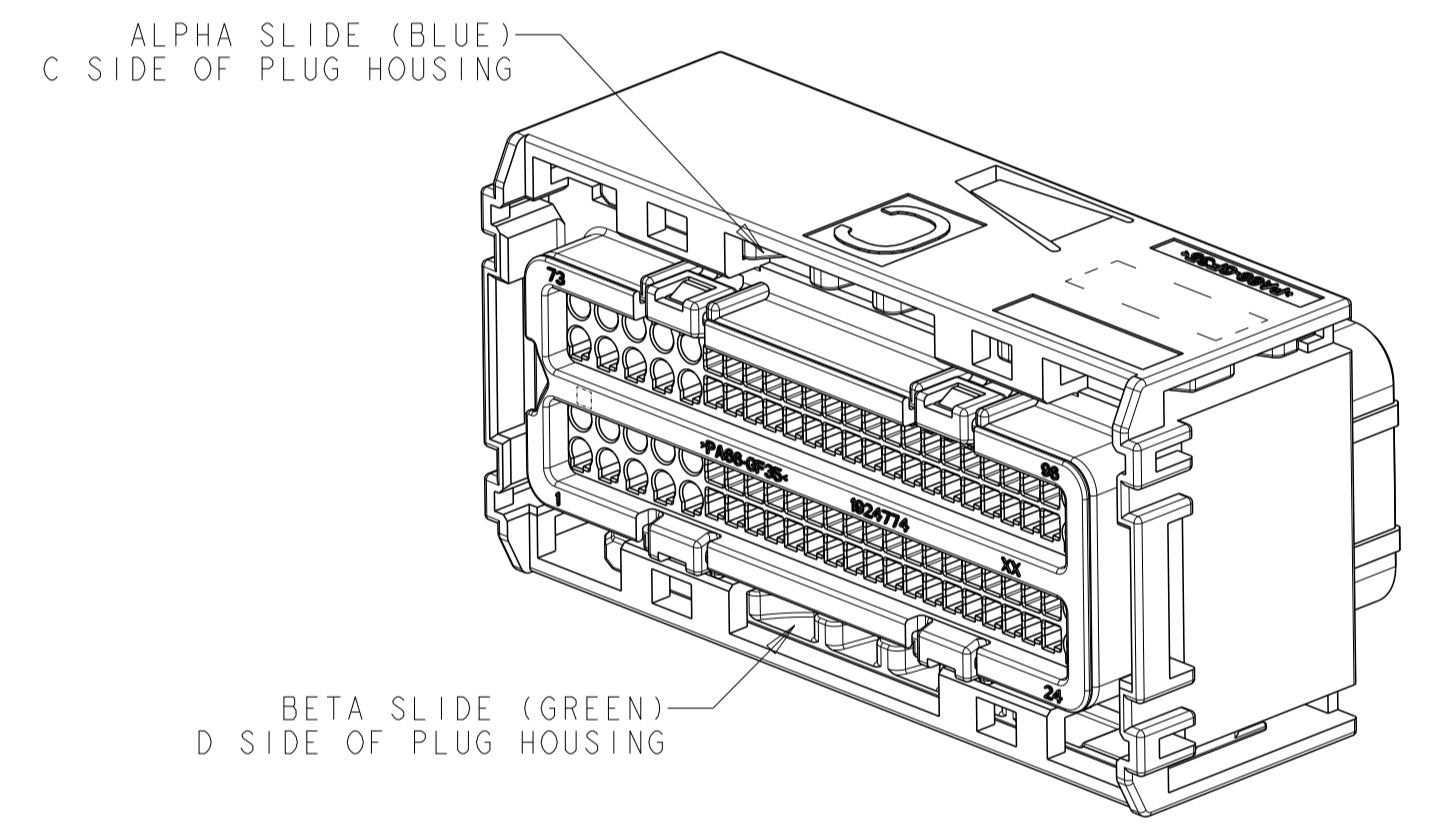


REVISIONS					
P	LTN	DESCRIPTION	DATE	OWN	APVD
C8		REV PER ECO-17-018250	13DEC2017	JMS	GK
C9		REVISED PER ECO-18-003252	02MAR2018	JMS	GK
C10		REVISED PER ECO-20-012453	03SEP2020	CN	HC
C11		REVISED PER ECN-24-278905	09AUG2024	CKM	HC

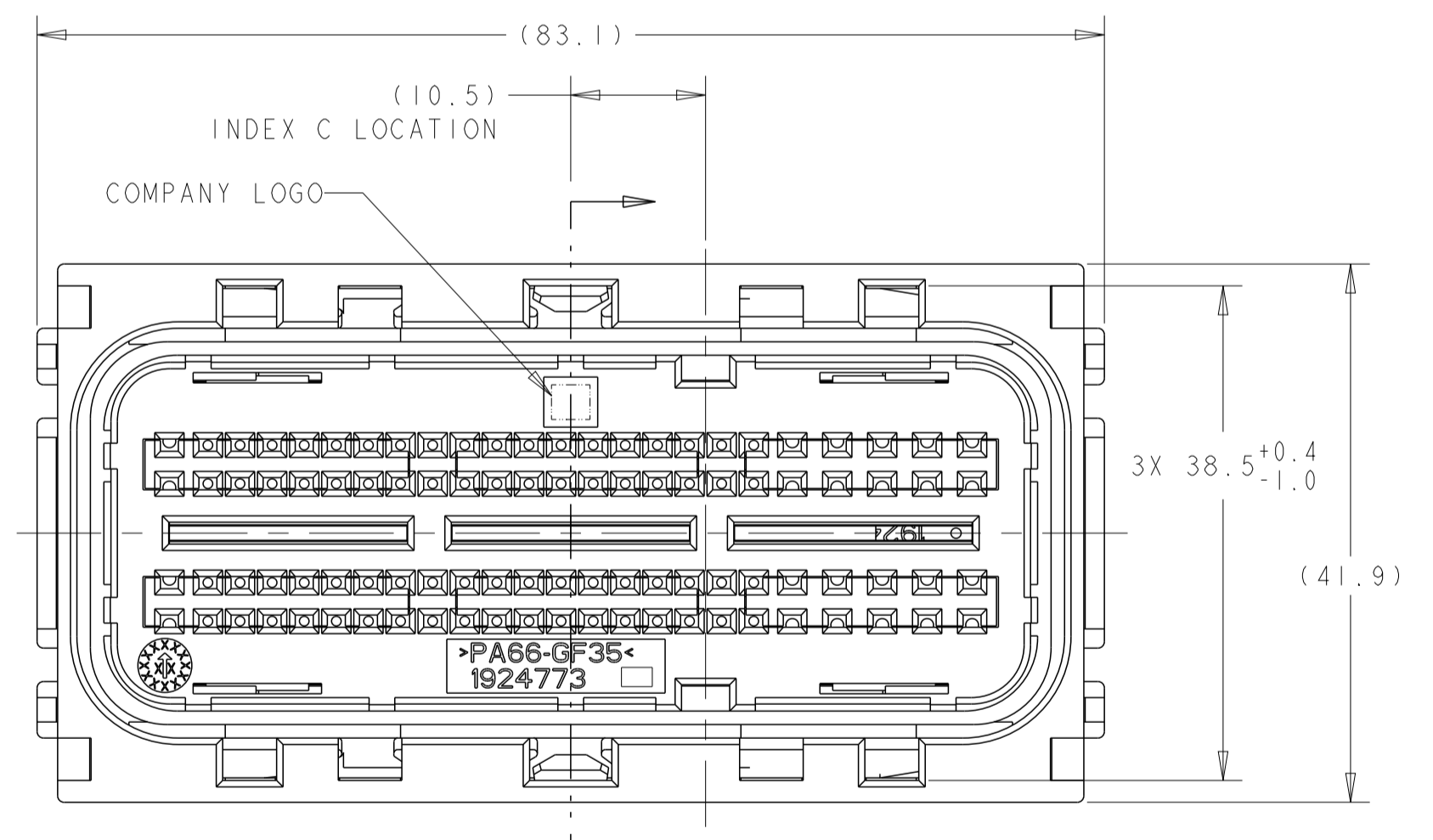
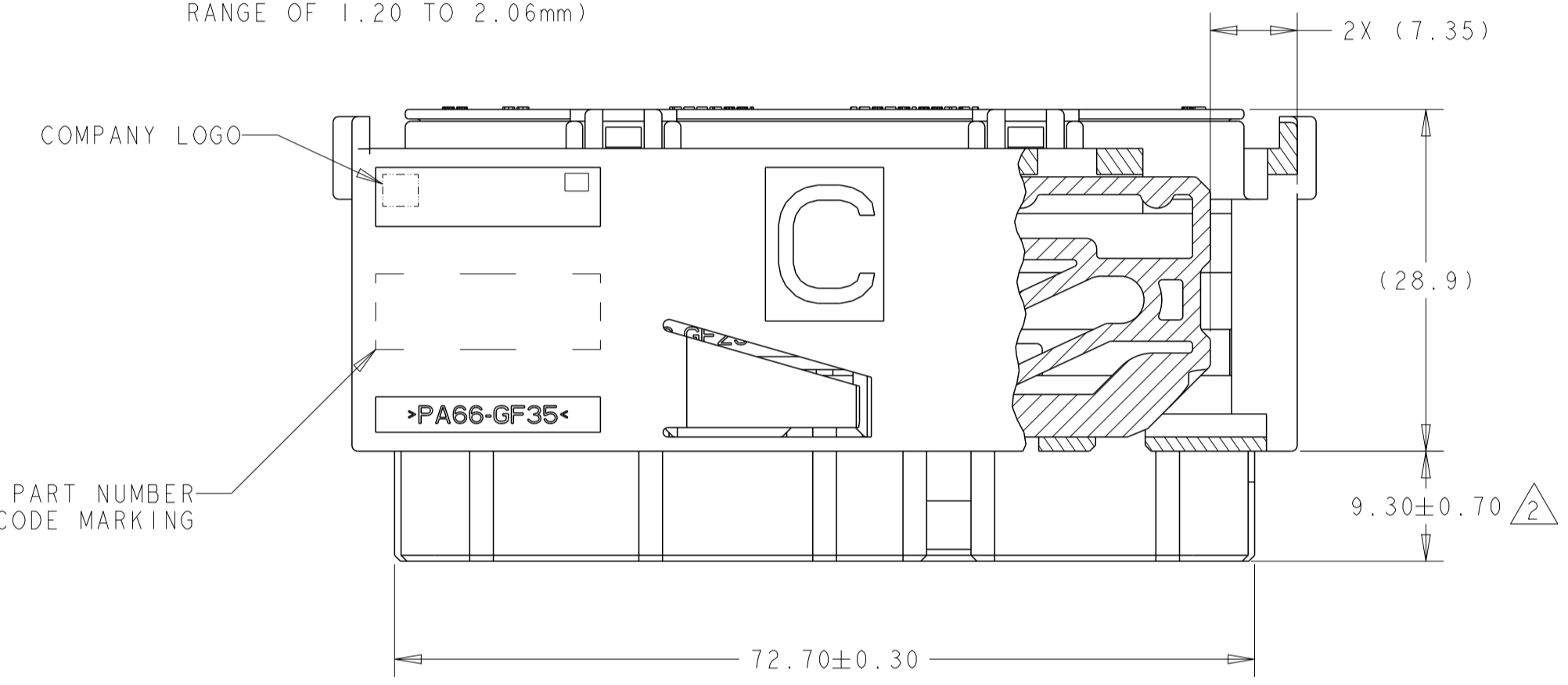
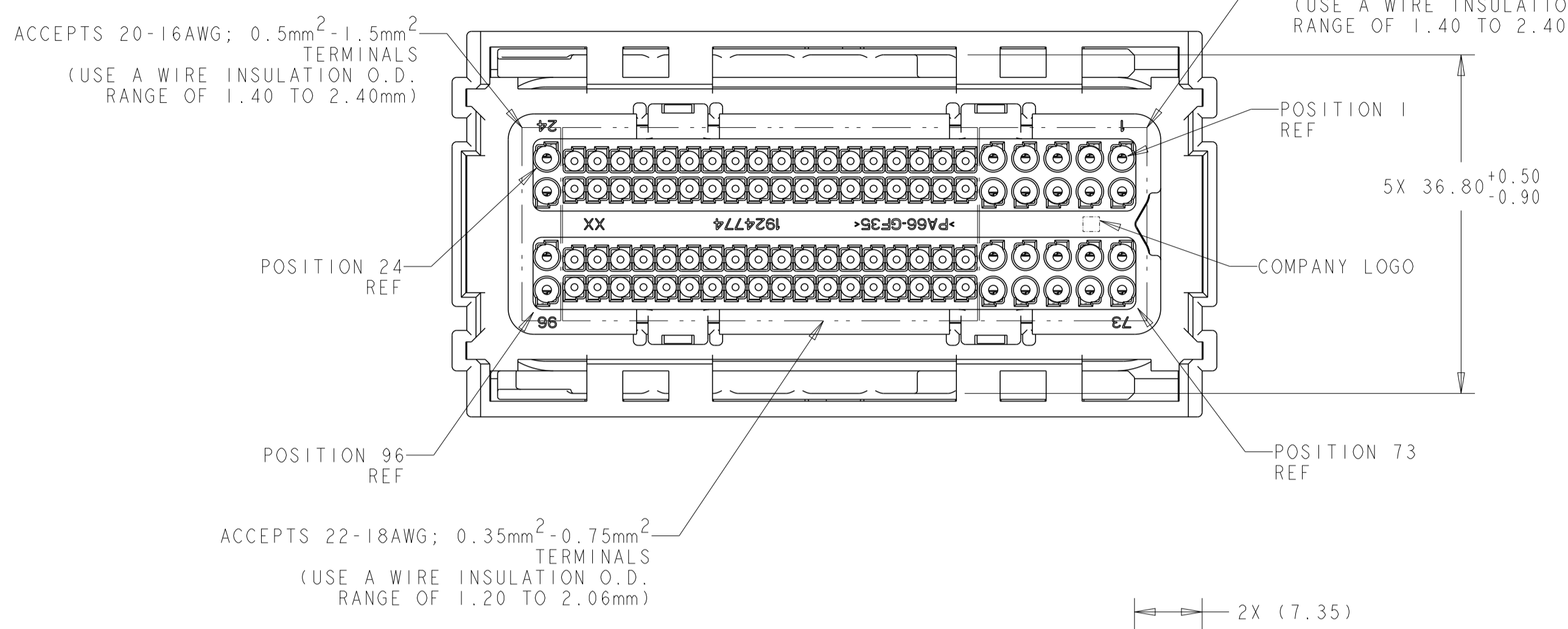
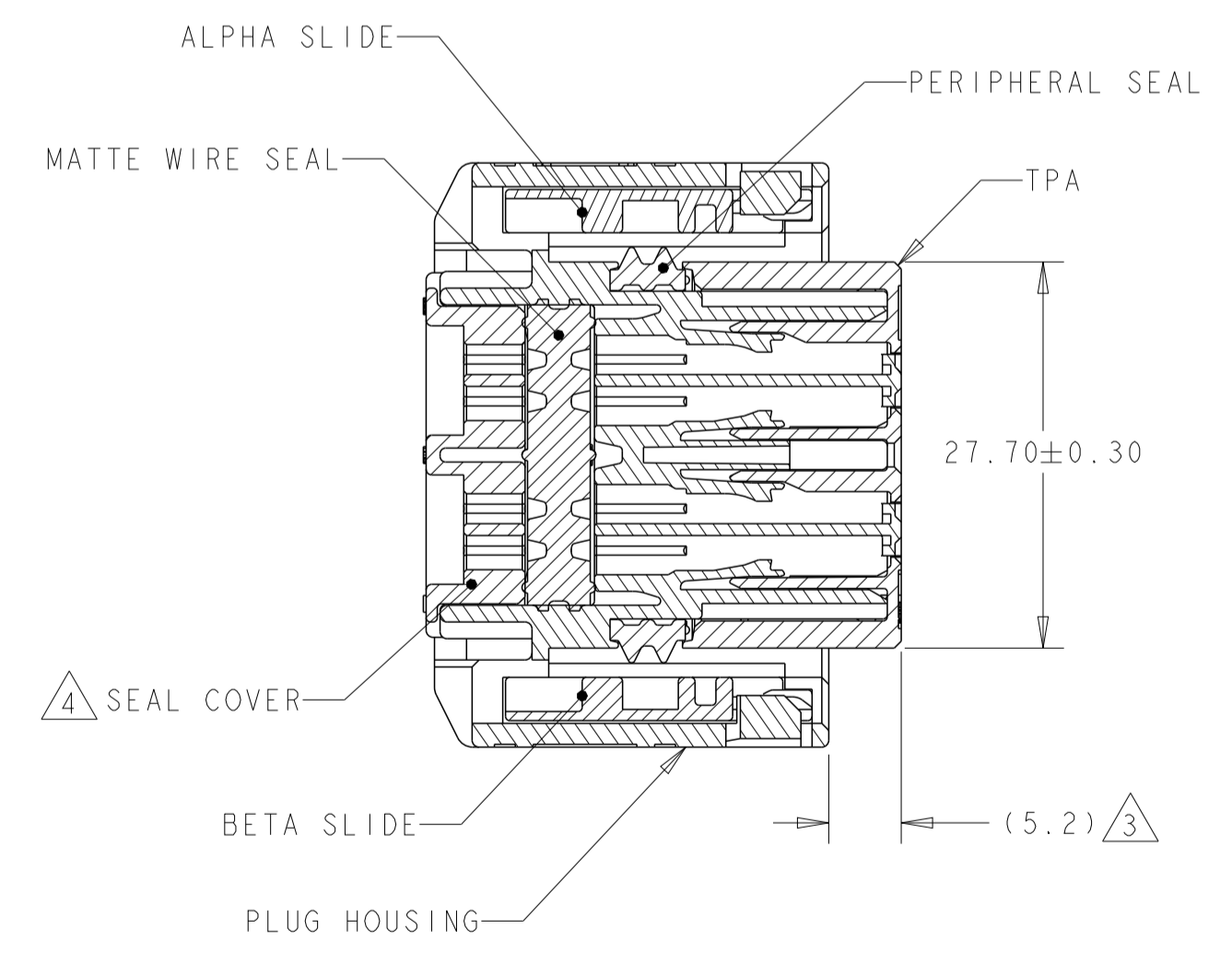


RIGHT EXIT PLUG ASSEMBLY SHOWN WITH OPTIONAL WIRE DRESS ASSEMBLY (MUST BE PURCHASED SEPARATELY) SCALE 1:1



(METHOD FOR IDENTIFYING EXIT ORIENTATION)

- PLUG HOUSING AND SEAL COVER: NYLON 6/6, BLACK.  
 TPA: NYLON 6/6, COLOR - SEE TABLE  
 MATTE WIRE SEAL: SILICONE, LIGHT BLUE.  
 PERIPHERAL SEAL: SILICONE, GREEN.  
 ALPHA SLIDE: NYLON 6/6, BLUE.  
 BETA SLIDE: NYLON 6/6, GREEN.
- TPA SHOWN IN PRE-LATCHED, AS SHIPPED, POSITION.
- TPA SHOWN IN CLOSED POSITION.
- SEE TABLE ON SHEET 2 FOR SEAL COVER PIN OUT CONFIGURATION.
- PLUG ASSEMBLY MATES WITH TYCO ELECTRONICS INTERFACE DRAWING 1924771.INT, POLARIZATION C.
- PLUG ASSEMBLY WILL ACCEPT THE FOLLOWING GET TERMINAL PART NUMBERS: 1393364-1 (GOLD 22AWG; 0.35mm<sup>2</sup>)  
 1393365-1 (GOLD 18-20AWG; 0.75mm<sup>2</sup>-0.5mm<sup>2</sup>)  
 1924878-1 (TIN/SILVER 22AWG; 0.35mm<sup>2</sup>)  
 1924879-1 (TIN/SILVER 18-20AWG; 0.75mm<sup>2</sup>-0.5mm<sup>2</sup>)  
 1924782-1 (TIN/SILVER 1.0mm<sup>2</sup>)  
 1924880-1 (TIN/SILVER 16AWG; 1.5mm<sup>2</sup>)
- WIRE DRESS ASSEMBLY MUST BE INSTALLED ONTO PLUG ASSEMBLY WITH LEVER IN LOCKED POSITION.
- APPLICATION SPEC'S: 408-10229, 408-10230.
- NOTE DELETED.
- FORCE TO SEAT TPA COMPONENT FROM PRE-SET TO LOCKED (FULLY LOADED W/ TERMINALS) TO BE 83N MAX.
- FORCE TO MOVE TPA FROM FULLY LOCKED TO PRE-SET TO BE 115N MAX. FLAT BLADE SCREWDRIVER SUGGESTED FOR REMOVAL OF TPA.



**SUPERSEDED BY:**  
 X-2359498-X

2-2359498-3	SEE TABLE, SH 2	TAN	C	2-1924941-3
2-2359498-2	SEE TABLE, SH 2	TAN	C	2-1924941-2
2-2359498-1	SEE TABLE, SH 2	TAN	C	2-1924941-1
2-2359498-0	SEE TABLE, SH 2	TAN	C	2-1924941-0
1-2359498-9	SEE TABLE, SH 2	TAN	C	1-1924941-9
1-2359498-8	SEE TABLE, SH 2	TAN	C	1-1924941-8
1-2359498-7	SEE TABLE, SH 2	TAN	C	1-1924941-7
1-2359498-6	SEE TABLE, SH 2	TAN	C	1-1924941-6
1-2359498-5	SEE TABLE, SH 2	TAN	C	1-1924941-5
1-2359498-4	SEE TABLE, SH 2	TAN	C	1-1924941-4
1-2359498-3	SEE TABLE, SH 2	TAN	C	1-1924941-3
1-2359498-2	SEE TABLE, SH 2	TAN	C	1-1924941-2
1-2359498-1	SEE TABLE, SH 2	TAN	C	1-1924941-1
1-2359498-0	SEE TABLE, SH 2	TAN	C	1-1924941-0
2359498-9	SEE TABLE, SH 2	TAN	C	1924941-9
2359498-8	SEE TABLE, SH 2	TAN	C	1924941-8
2359498-7	SEE TABLE, SH 2	TAN	C	1924941-7
2359498-6	SEE TABLE, SH 2	TAN	C	1924941-6
2359498-5	SEE TABLE, SH 2	TAN	C	1924941-5
2359498-4	SEE TABLE, SH 2	TAN	C	1924941-4
2359498-3	SEE TABLE, SH 2	TAN	C	1924941-3
2359498-2	SEE TABLE, SH 2	TAN	C	1924941-2
2359498-1	ALL OPEN	TAN	C	1924941-1
SUPERSEDED BY	BLOCKED CIRCUITS	TPA COLOR	INDEX REF	PART NUMBER

THIS DRAWING IS A CONTROLLED DOCUMENT.

OWN: D. J. HARDY 29NOV2007  
 CHK: A. J. VASBINDER 03DEC2007  
 APVD: A. J. VASBINDER 03DEC2007

DIMENSIONS: mm

TOLERANCES UNLESS OTHERWISE SPECIFIED:

0 PLC	±
1 PLC	±0.25
2 PLC	±
3 PLC	±
4 PLC	±
ANGLES	±
FINISH	±

MATERIAL:

WEIGHT:

CUSTOMER DRAWING

NAME: PLUG ASSEMBLY, 96 POSITION, INDEX C - RIGHT EXIT, SEALED, GPEC II

SIZE: A1 100779 C=1924941

RESTRICTED TO:

SCALE: 2:1 SHEET 1 OF 2 REV: C11

