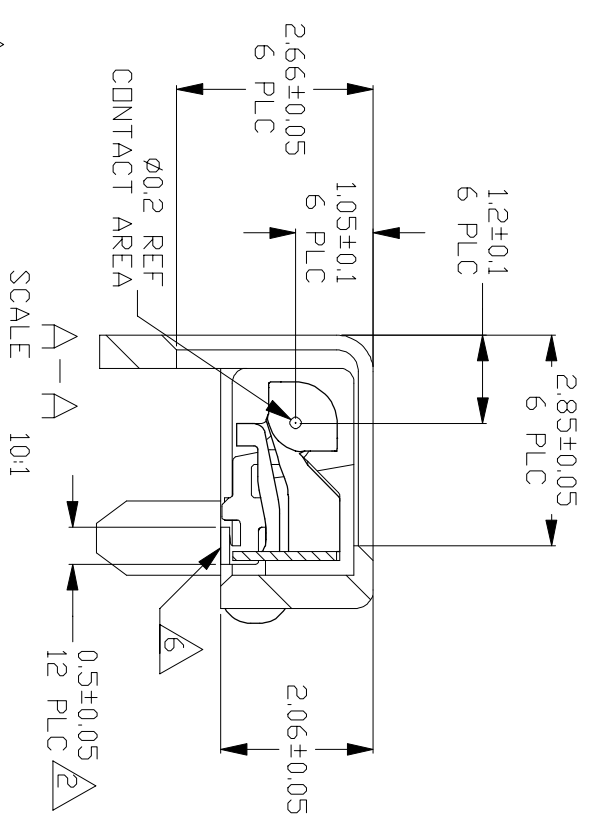
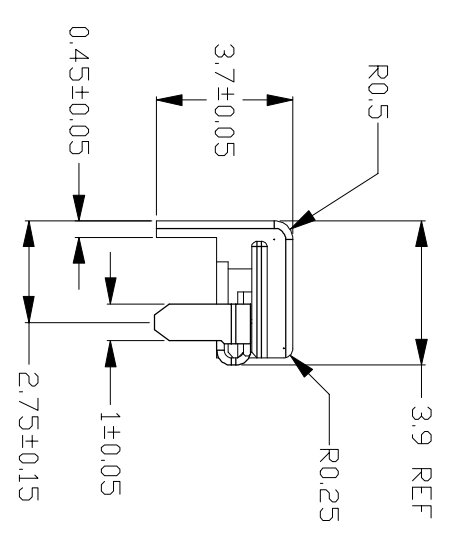
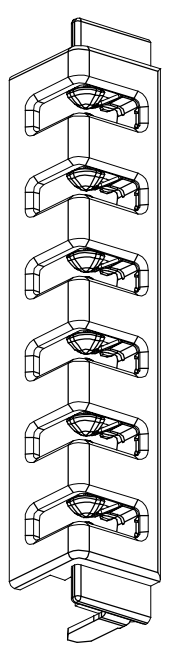
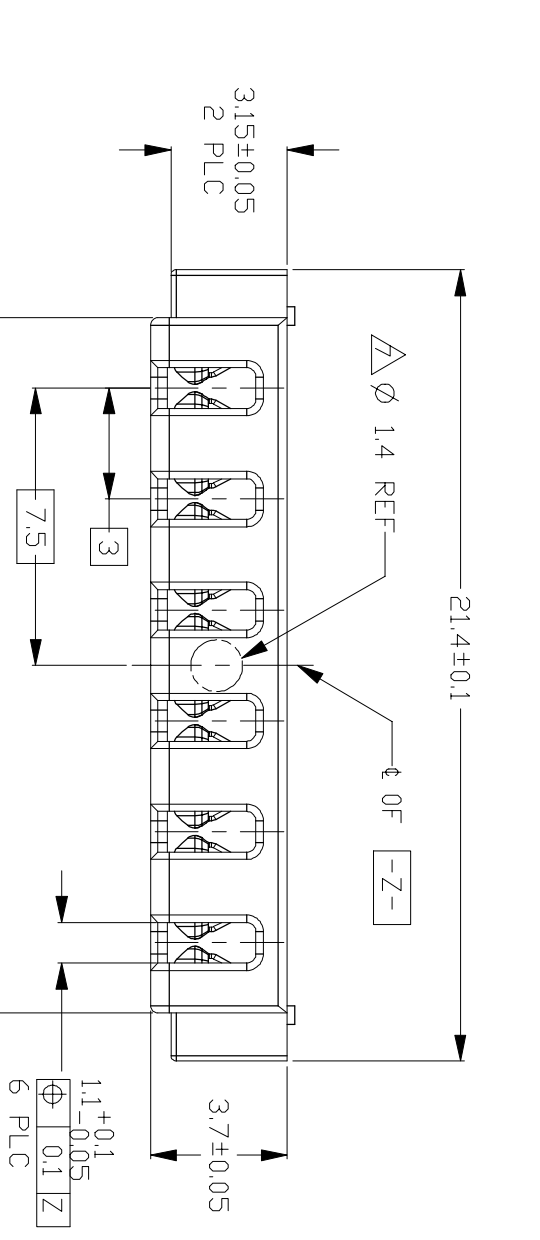
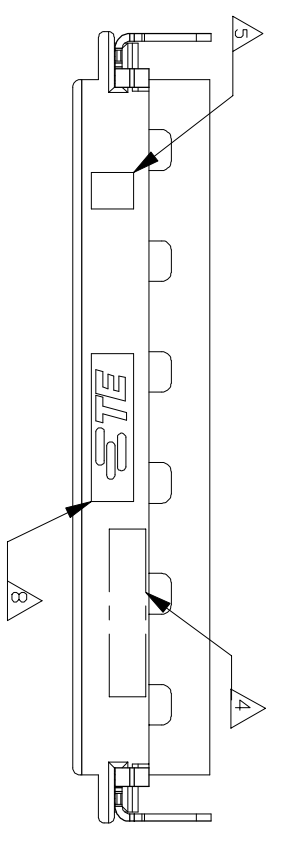
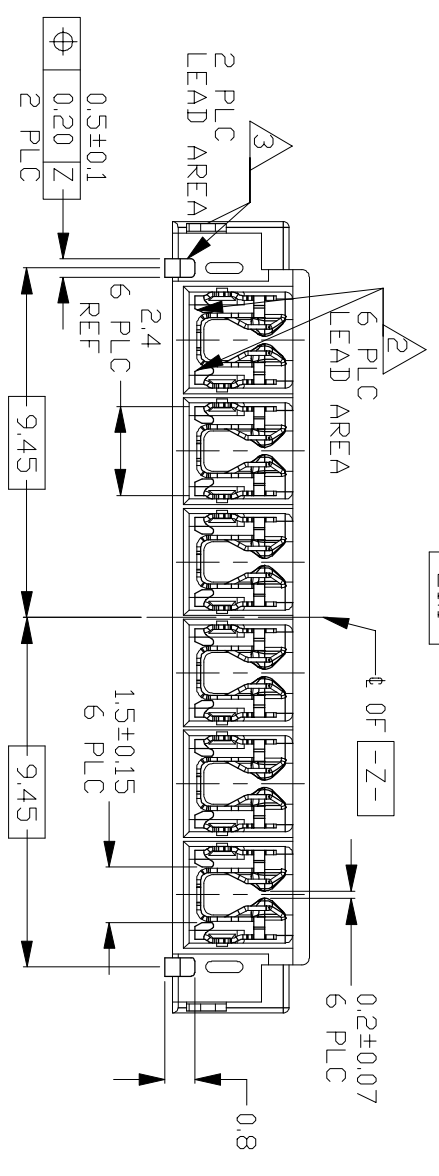


REVISIONS		DESCRIPTION	DATE	DWN	APVD
P	LTR				
B2		REVISED AS PER ECR-24-213982	05JUL2024	SSM	SPS



SCALE 10:1

- △ MATERIAL CONTACT: COPPER ALLOY HOUSING: CP UL94V-0, BLACK SOLDER PEG: BRASS FINISH CONTACT: NICKEL ALL OVER UNDER PLATING, 2.54µm MIN. GOLD PLATING REF ASTM B488, TYPE 2, GRADE C (130-200KnoBF) 1.27µm MIN AT CONTACT AREA. GOLD FLASH PLATING AT LEAD AREA, 0.05-0.13µm
- △ FINISH SOLDER PEG: NICKEL ALL OVER UNDER PLATING, OVER 2µm TIN PLATING ALL OVER, 2-5µm, LEAD FREE
- △ DATE CODE: 5 DIGITS.
- △ MOLD CAVITY ID.
- △ COPLANARITY: 0.08MAX.
- △ PICKING AREA
- △ TRADE MARK
- △ FINISH CONTACT: NICKEL ALL OVER UNDER PLATING 5µm-8µm, GOLD PLATING AT CONTACT AREA, 0.5µm MIN, GOLD FLASH PLATING AT LEAD AREA, 0.05-0.13µm



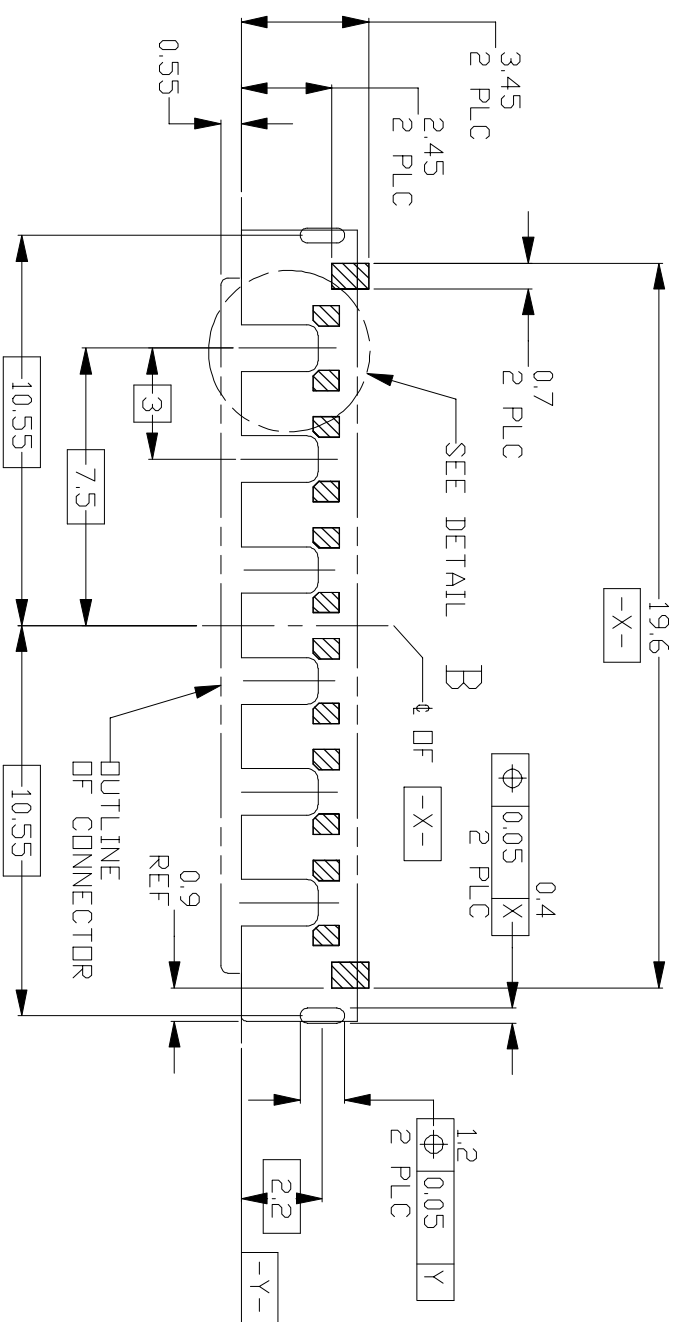
THIS DRAWING IS A CONTROLLED DOCUMENT.

DIMENSIONS: mm		TOLERANCES UNLESS OTHERWISE SPECIFIED:	
0 PLC	± 0.3	1 PLC	± 0.3
2 PLC	± 0.3	3 PLC	± 0.3
4 PLC	± 0.3	5	± 0.3
FINISH ANGLES		1	

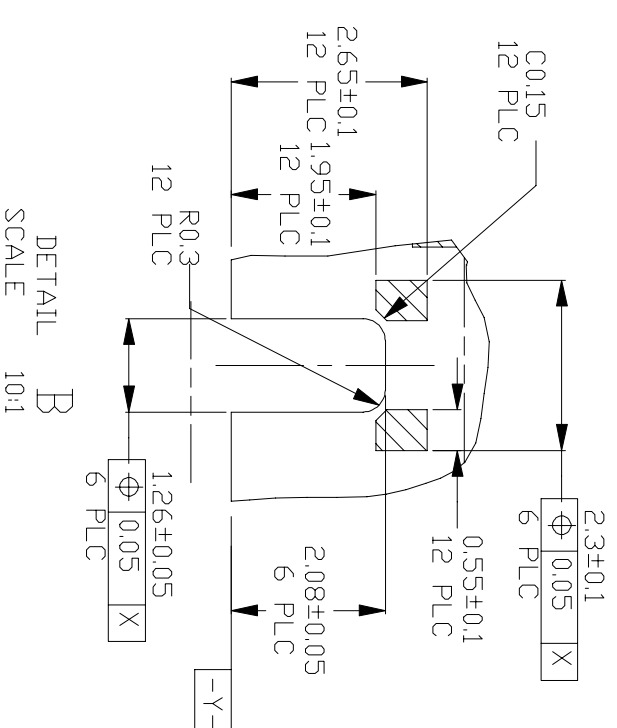
DWN	6 JULY 2011	NAME	FBIS-II
CHK	Tony Zhang	TE Connectivity	
APVD	6 JULY 2011	RECEPTACLE ASSEMBLY ASSEMBLY 6 POS	
APVD	Yohei Harada		
APVD	Steven Yao		
PRODUCT SPEC	108-1691	SIZE	A3 00779
APPLICATION SPEC		DRAWING NO	G-1932869
WEIGHT	0.19	SCALE	5:1
CUSTOMER DRAWING		SHEET	1 OF 3
		REV	B2

FINISH	1932869-1
PART NUMBER	1932869-2

REVISIONS				
P	LTR	DESCRIPTION	DATE	DWN APVD
-	-	SEE SHEET 1	-	-



RECOMMENDED SMALL PCB LAYOUT
 (GENERAL TOLERANCE: ± 0.05, SCALE 5:1)



THIS DRAWING IS A CONTROLLED DOCUMENT.

DIMENSIONS: mm	TOLERANCES UNLESS OTHERWISE SPECIFIED:	FINISH
	0 PLC ± 0.3	1
	1 PLC ± 0.3	2
	2 PLC ± 0.3	3
	3 PLC ± -	4
	4 PLC ± -	ANGLES ± 3'
MATERIAL		

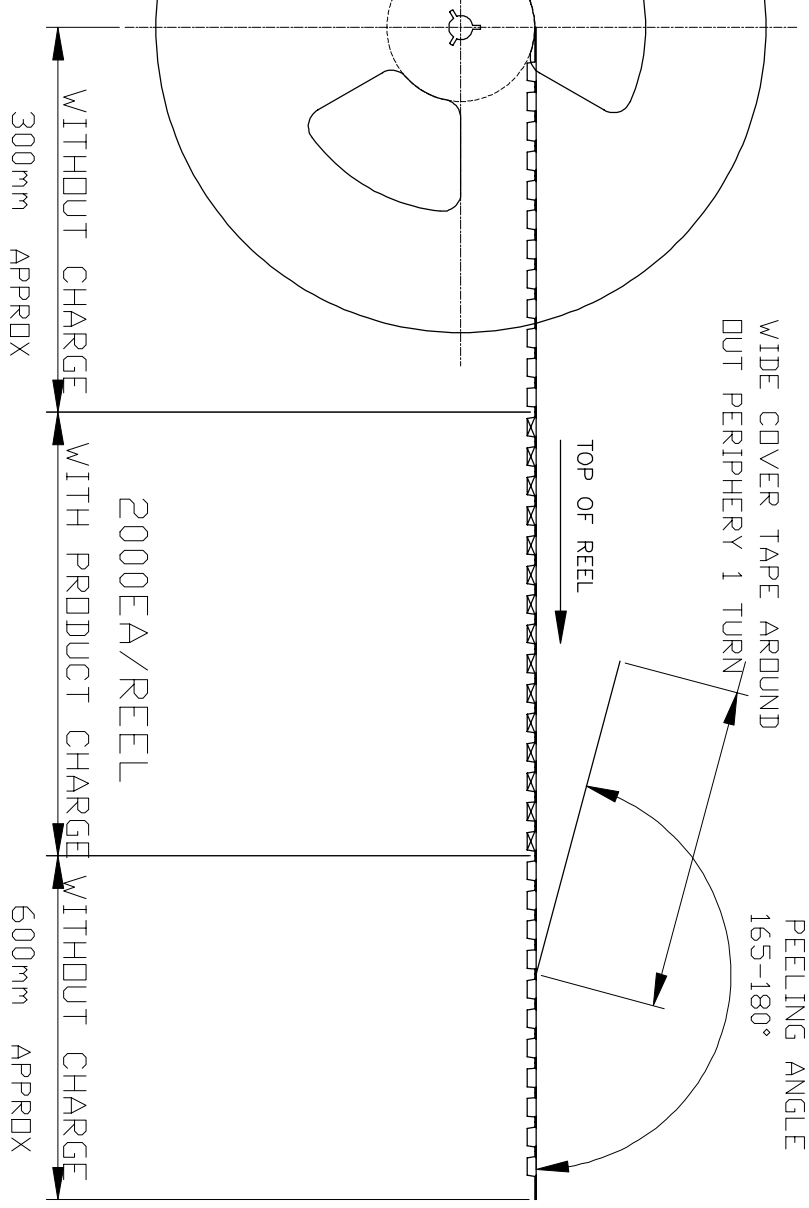
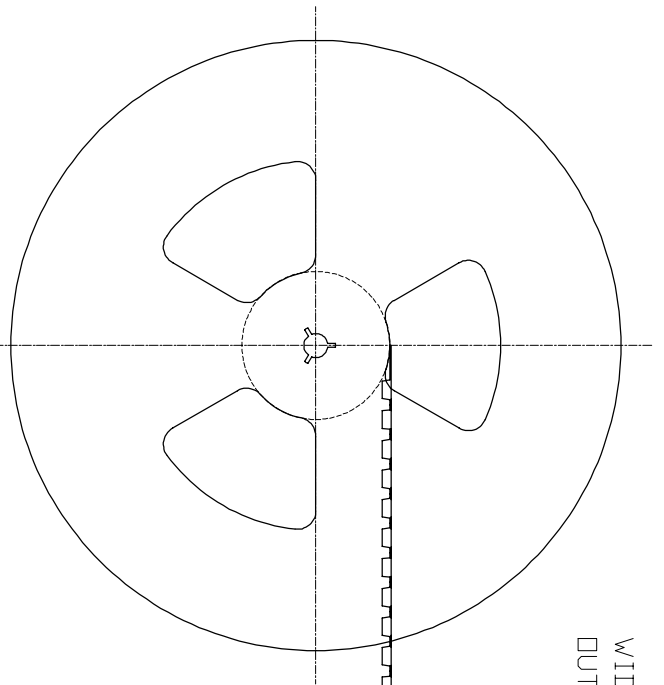
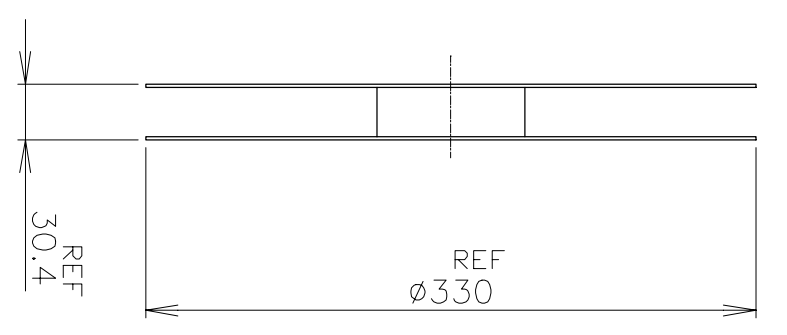
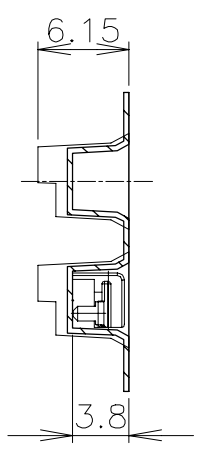
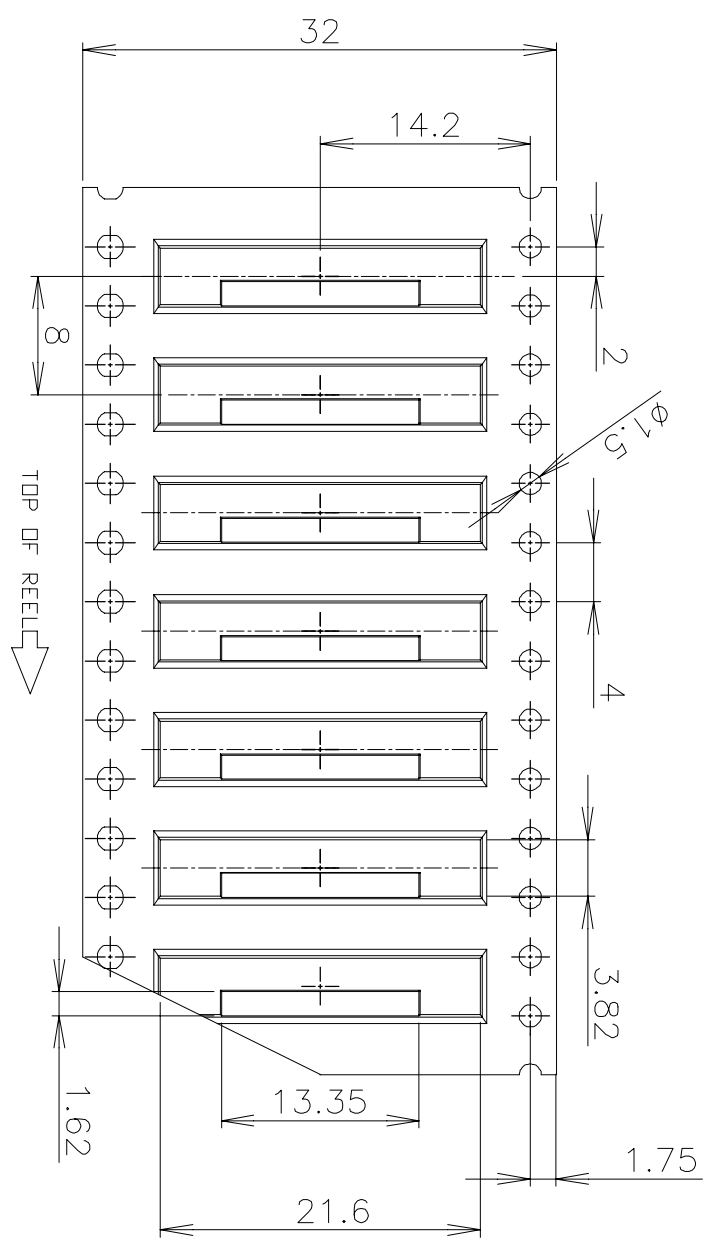
DWN Tony Zhang 6 JULY 2011	NAME STE TE Connectivity FBIS-II RECEPTACLE ASSEMBLY 6 POS
CHK Yohei Harada 6 JULY 2011	SIZE A3
APVD Steven Yao 6 JULY 2011	CAGE CODE 00779
PRODUCT SPEC 108-1691	DRAWING NO 1932869
APPLICATION SPEC	SCALE 1:1
WEIGHT 0.19	SHEET 2 OF 3
CUSTOMER DRAWING	RESTRICTED TO REV B2

THIS DRAWING IS UNPUBLISHED.

RELEASED FOR PUBLICATION
ALL RIGHTS RESERVED.

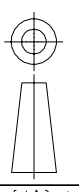
© COPYRIGHT - By -

REVISIONS				
P	LTR	DESCRIPTION	DATE	DWN APVD
-	-	SEE SHEET 1	-	-



THIS DRAWING IS A CONTROLLED DOCUMENT.

DIMENSIONS: mm



TOLERANCES UNLESS OTHERWISE SPECIFIED:	FINISH
0 PLC ± 0.1	4 PLC ANGLES ± 3°
1 PLC ± 0.1	
2 PLC ± 0.1	
3 PLC ± -	
4 PLC ± -	

DWN	6JULY2011	DMN	6JULY2011	NAME	FBIS-II
CHK	Tony Zhang	CHK	Yohei Harada	TE Connectivity	
APVD	Yohei Harada	APVD	Steven Yao	RECEPTACLE ASSEMBLY ASSEMBLY 6 POS	
PRODUCT SPEC	6JULY2011	PRODUCT SPEC	108-1691	SIZE	A3
APPLICATION SPEC		APPLICATION SPEC		CAGE CODE	00779
WEIGHT	0.19	WEIGHT		DRAWING NO	1932869
CUSTOMER DRAWING		CUSTOMER DRAWING		SCALE	5:1
				SHEET	3 OF 3
				REV	B2