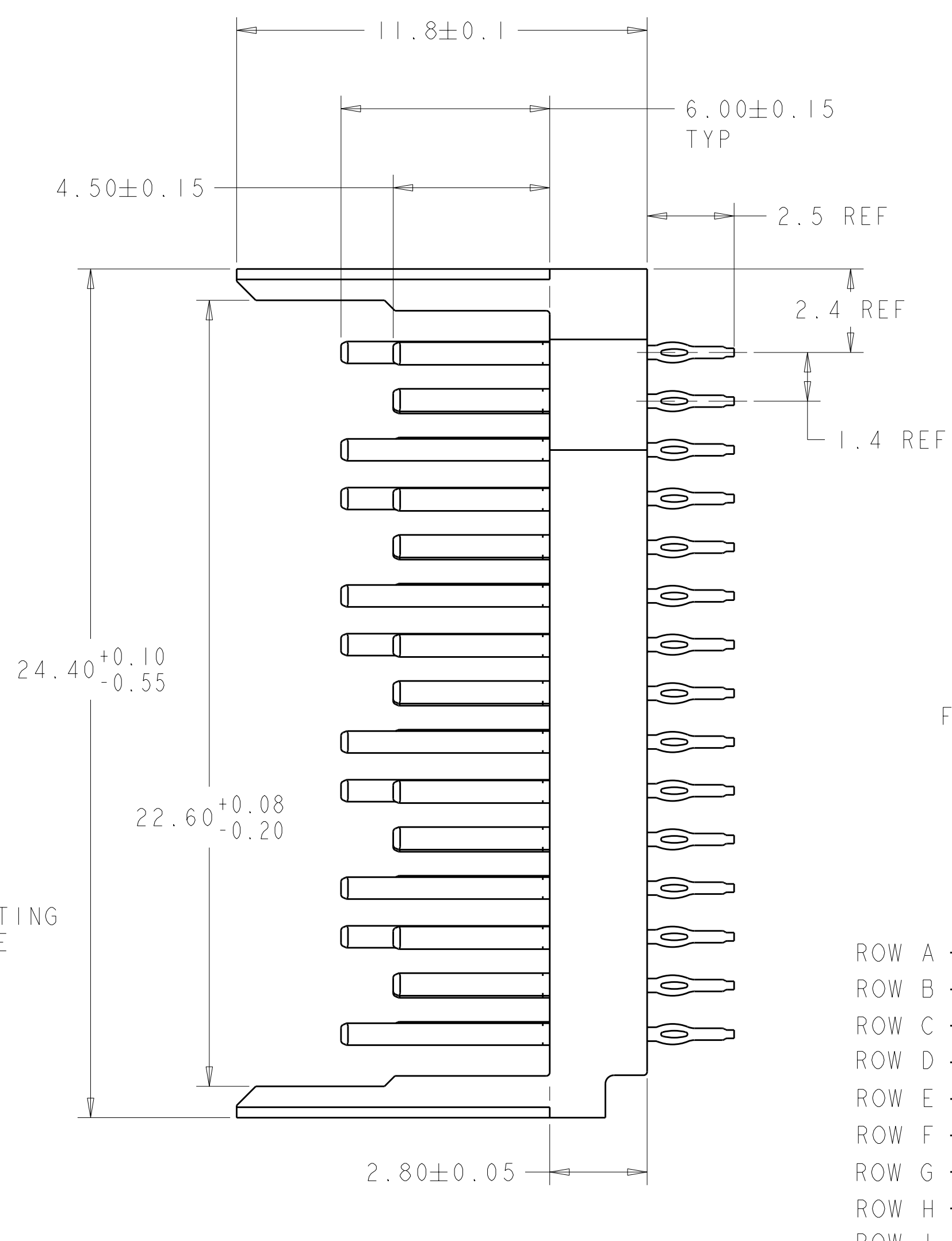
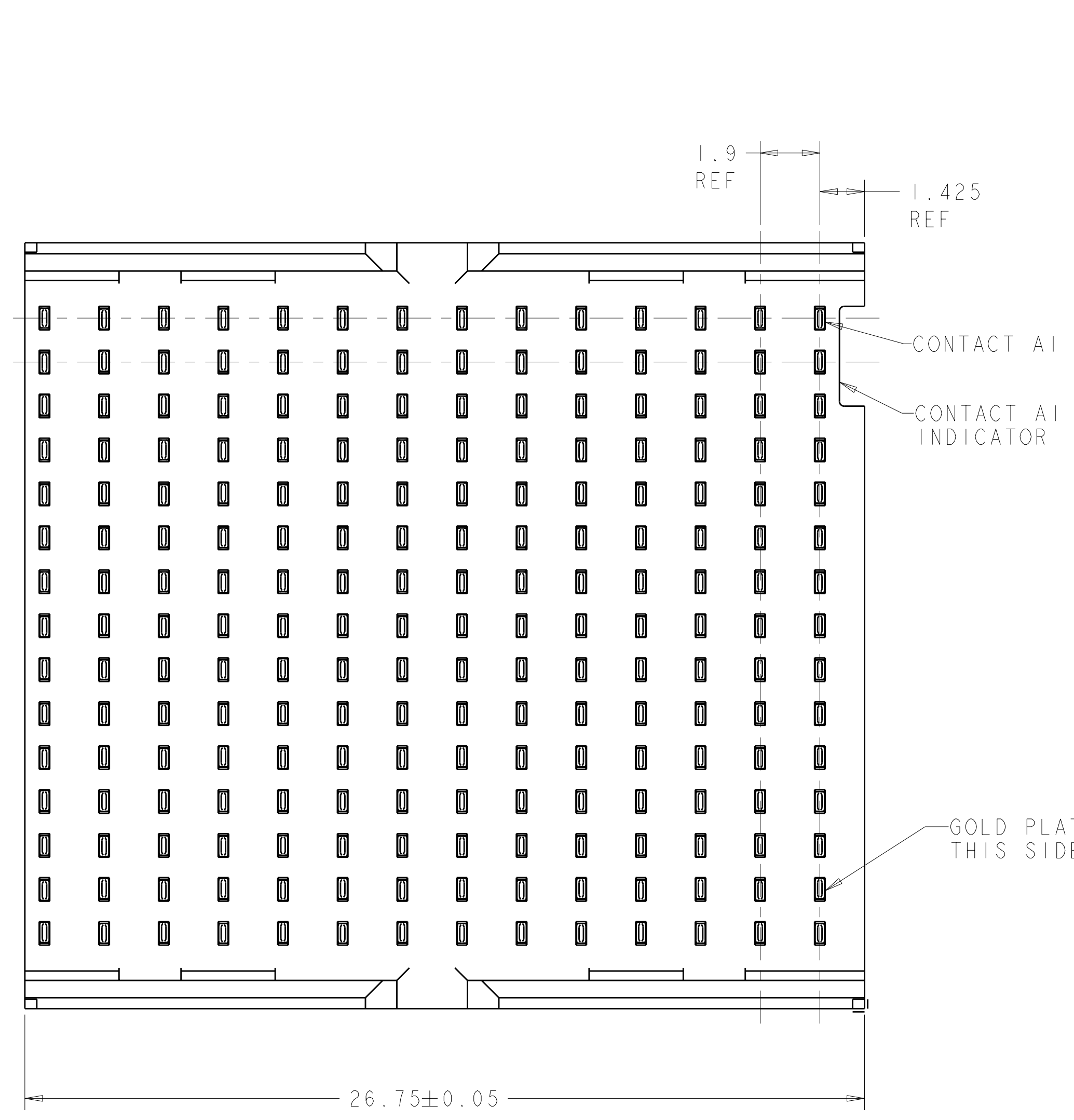
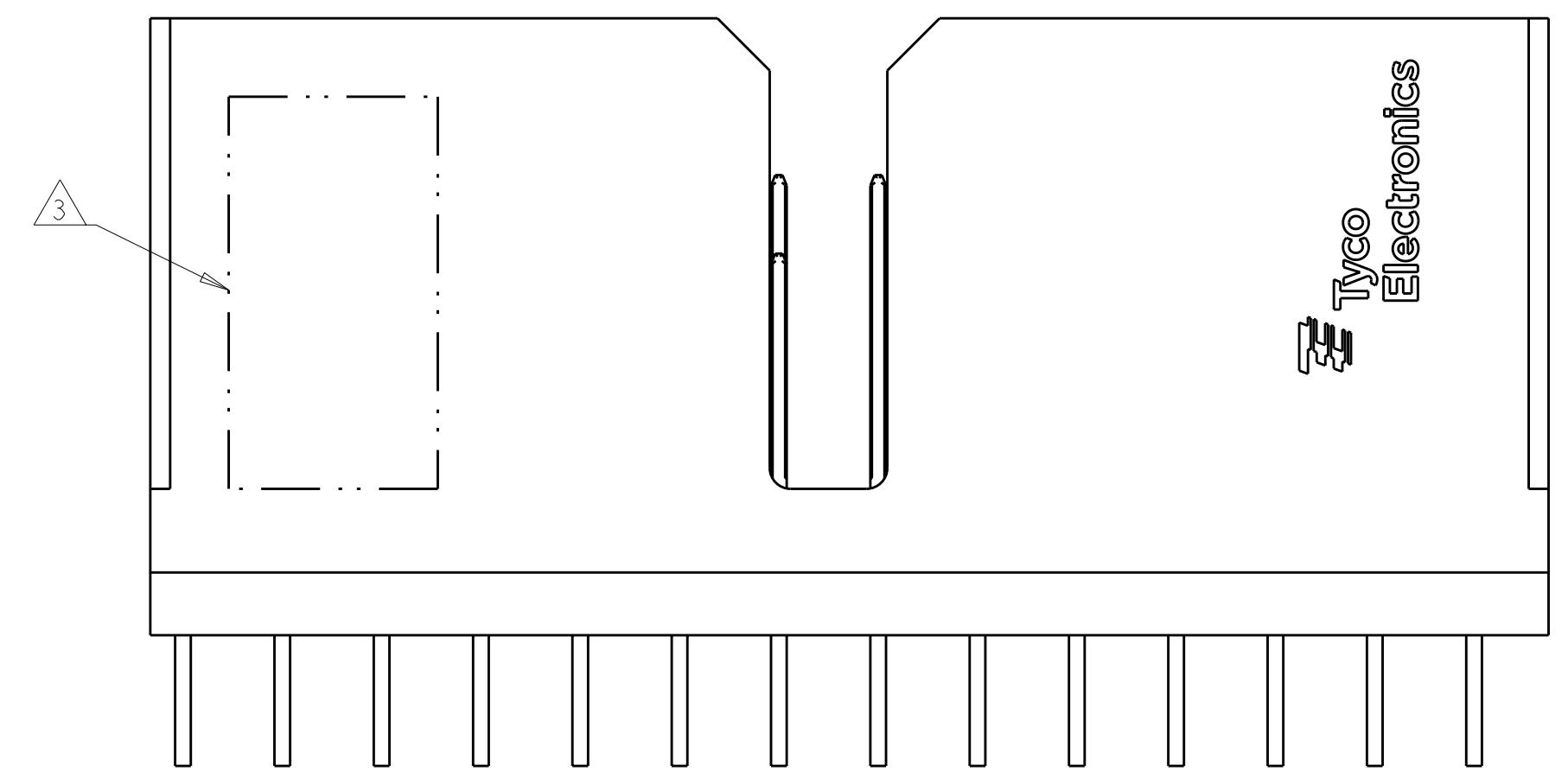
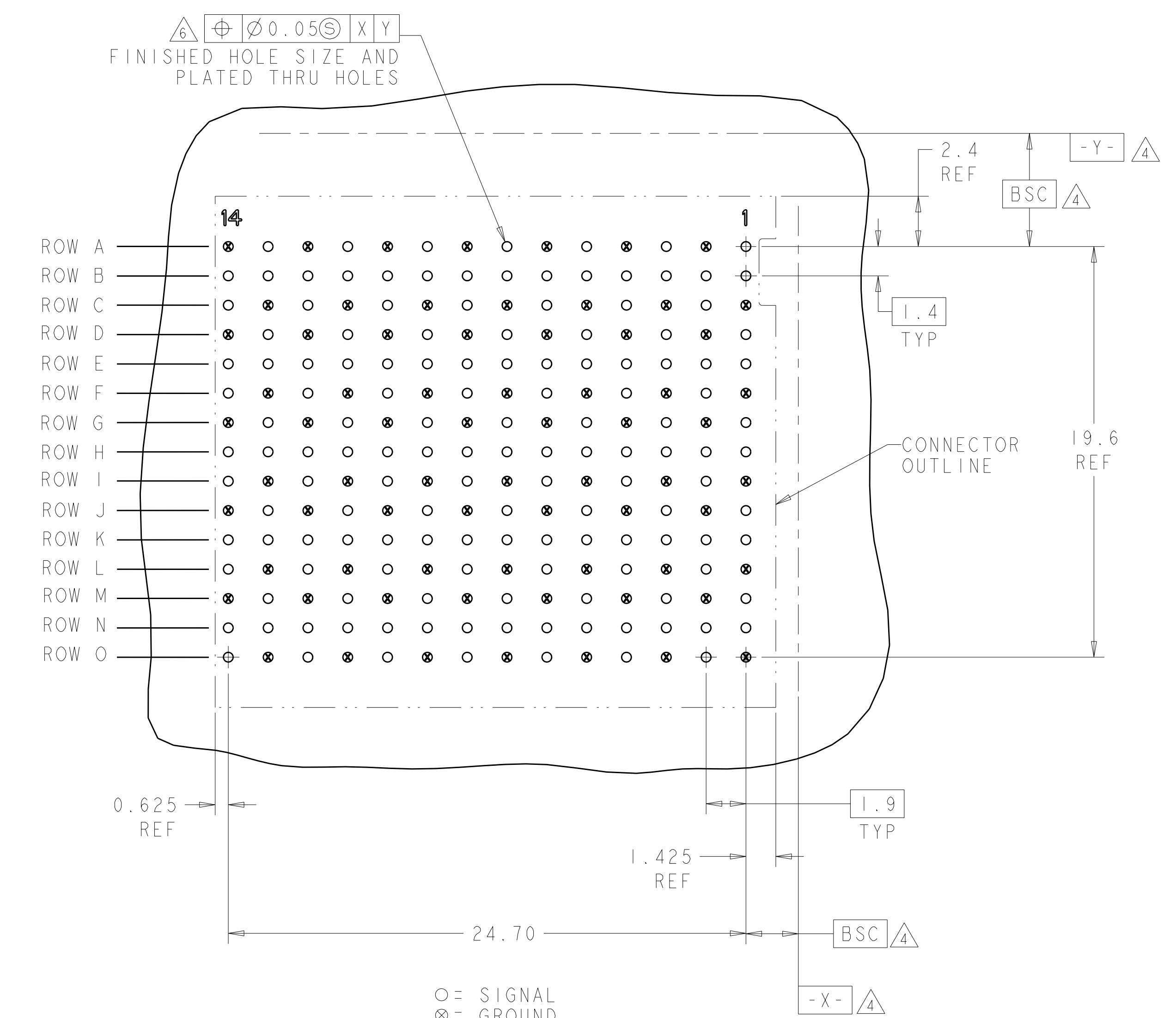


LOC	DIST	REV	DATE	BY	CHK	APPD
GP	00					

REVISIONS		DATE	BY	CHK	APPD
1	PROPOSED	15MAY07	BM	WD	
2	REVISED APPLICATION SPEC IN NOTE 6	02JUN2007	LS	WSD	
A	REV PER ECO-08-015707	20AUG2008	BC	RP	
B	REV PER ECO-09-023878	28OCT2009	WS	RP	



- 1 MATERIAL:
CONTACT - PHOS BRONZE
HOUSING - LCP, UL 94V-0, COLOR - BLACK
- 2 FINISH: CONTACT
MATING AREA - 0.76µm MIN GOLD OVER 1.27µm MIN NICKEL
COMPLIANT PIN AREA - 1.25µm MIN MATTE TIN OVER 1.27µm MIN NICKEL
- 3 CONNECTOR MARKED WITH PART NUMBER, DATE CODE AND STANDARD IN APPROXIMATE AREA SHOWN
- 4 DATUMS AND BASIC DIMENSIONS ESTABLISHED BY CUSTOMER.
- 5 CONTACT AREA LUBRICATED WITH BELLCORE APPROVED LUBRICANT, TECHNICAL REFERENCE GR-1217-CORE, ISSUE 1, NOVEMBER 1995.
- 6 REFERENCE APPLICATION SPEC 114-13202 FOR RECOMMENDED PLATED THRU HOLE DIAMETER AND PLATING THICKNESSES.



RECOMMENDED PB BOARD LAYOUT BACKPLANE COMPONENT SIDE SHOWN SCALE 6:1

1934287-1
PART NUMBER

DIMENSIONS: mm TOLERANCES UNLESS OTHERWISE SPECIFIED: 0 PLC ± 1 PLC ± 2 PLC ± 3 PLC ± 4 PLC ± ANGLES ± FINISH ±		DWN B. MCMASTER 15MAY07 CHK W. DAVIS 15MAY07 APPD W. DAVIS 15MAY07 NAME PRODUCT SPEC APPLICATION SPEC WEIGHT CUSTOMER DRAWING		Tyco Electronics Harrisburg, PA 17105-3608 HEADER ASSEMBLY, OPEN ENDED, 5 PAIR, 14 COLUMN TinMan SIZE CAGE CODE DRAWING NO. RESTRICTED TO A100779C=1934287 SCALE 10:1 SHEET 1 OF 1 REV B	
---	--	--	--	--	--