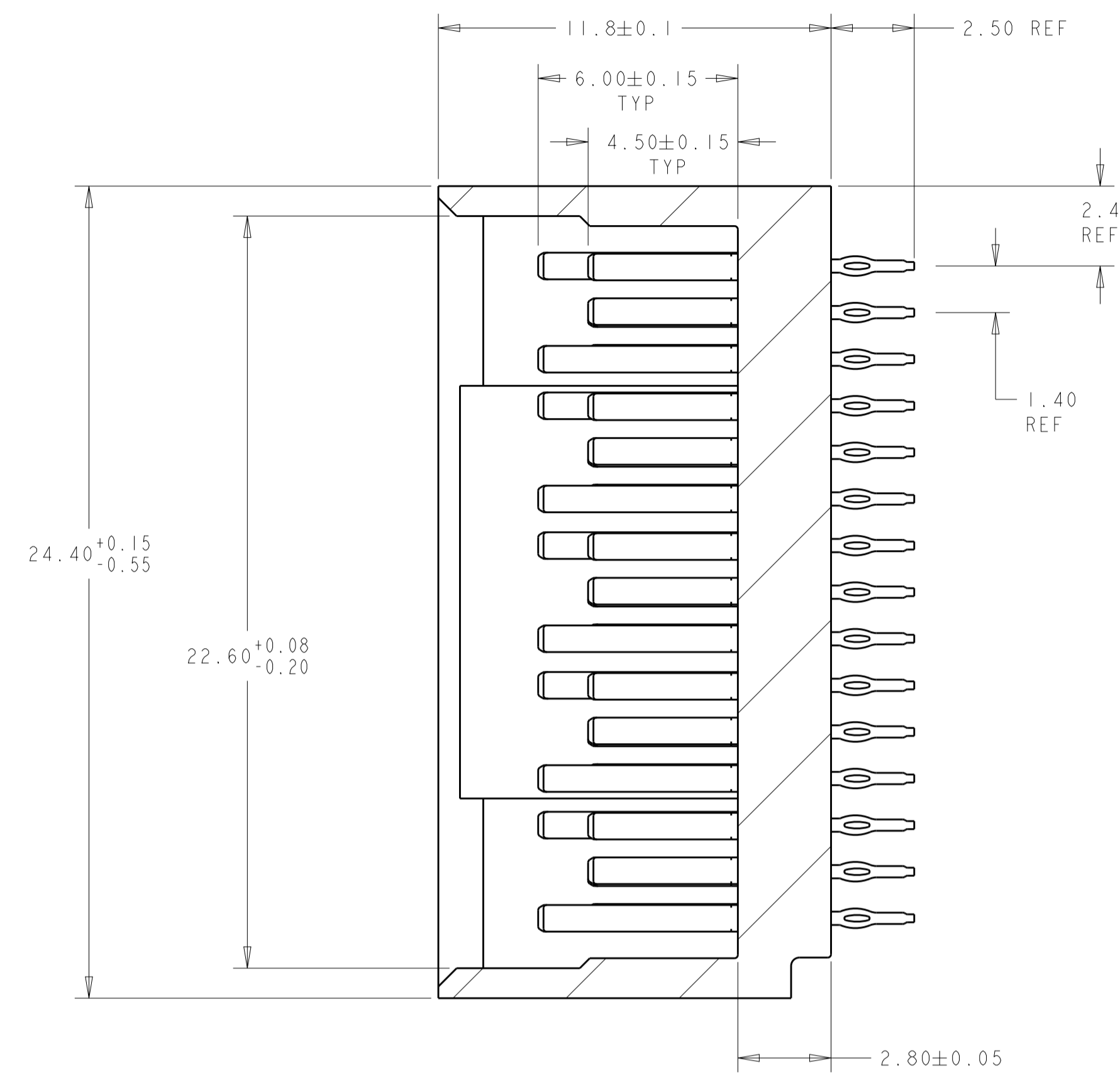
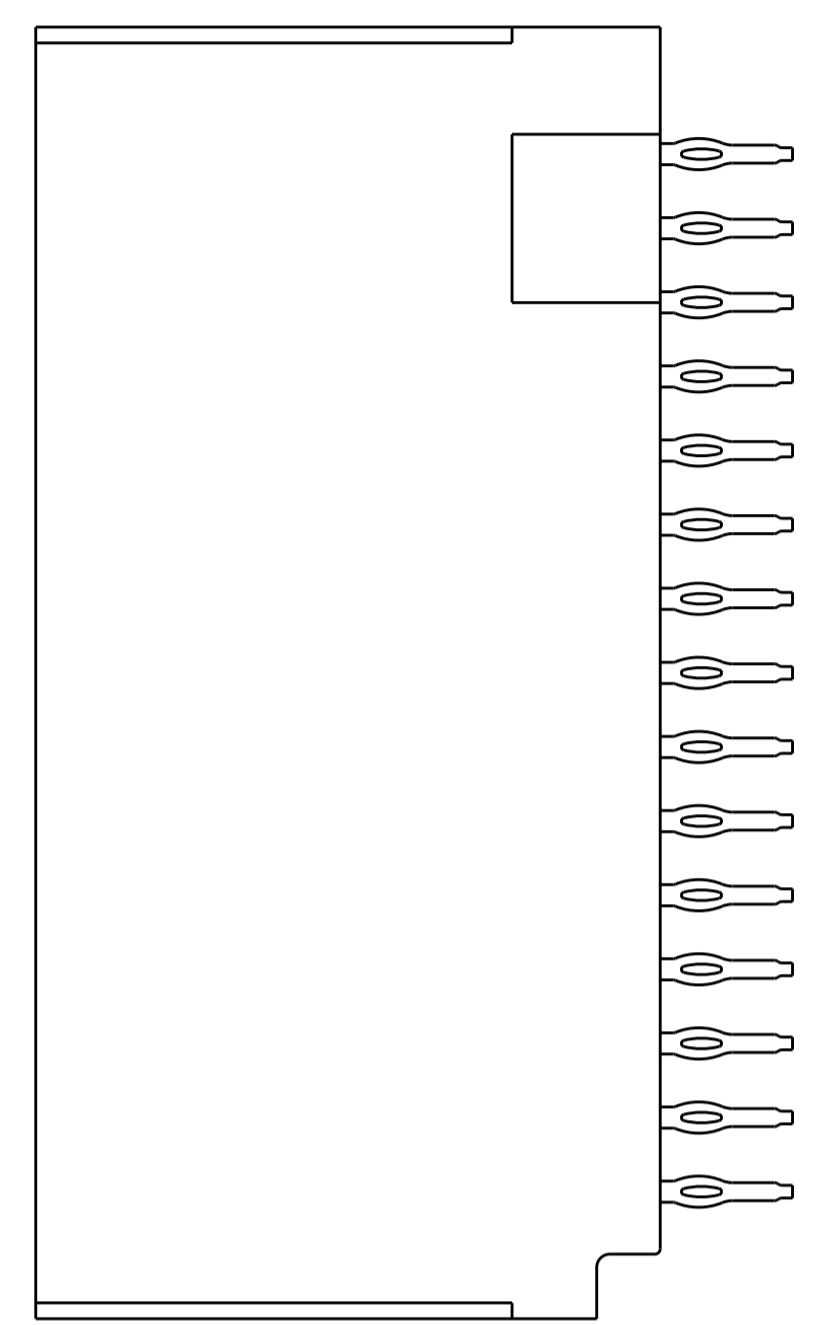
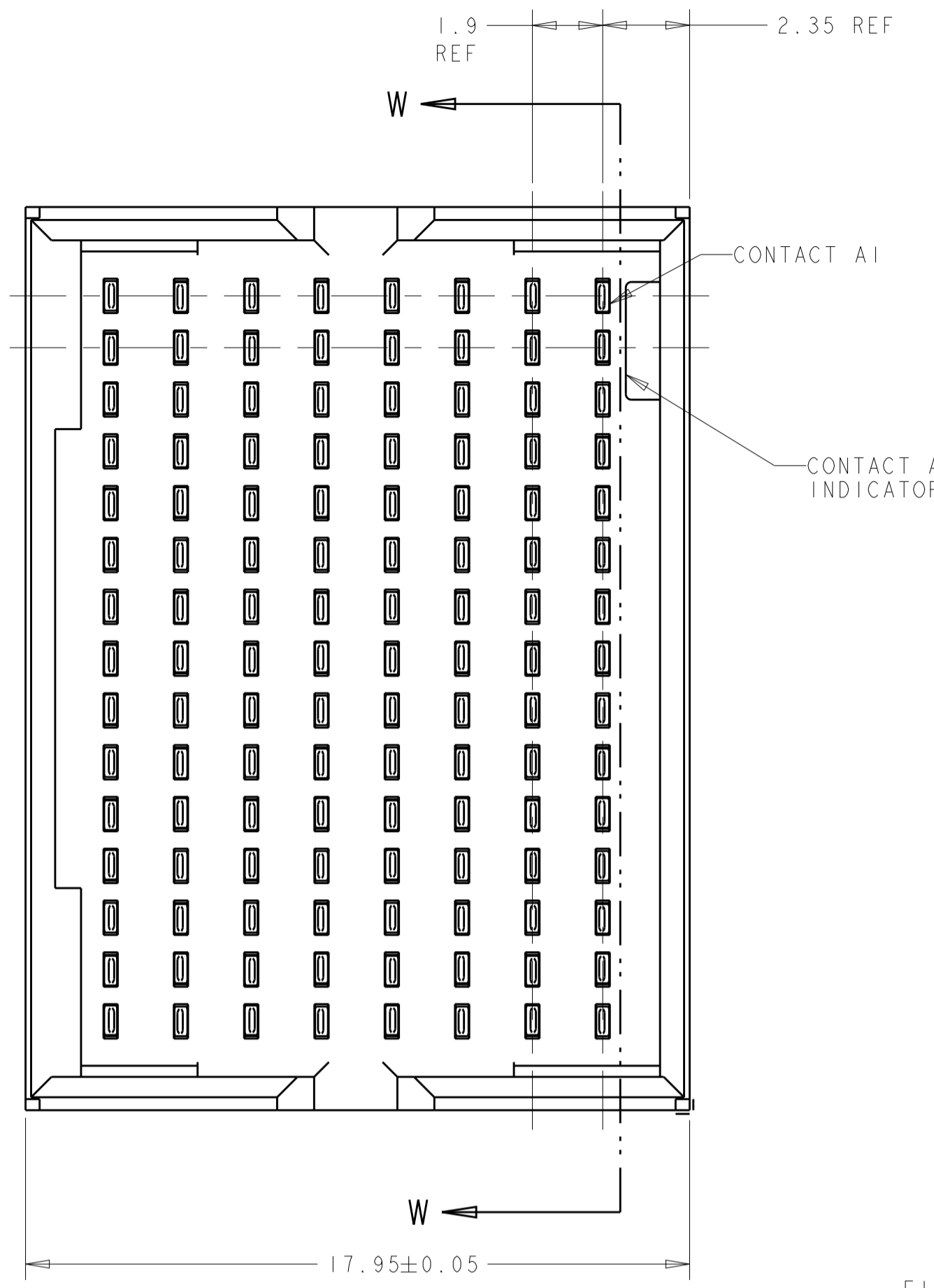
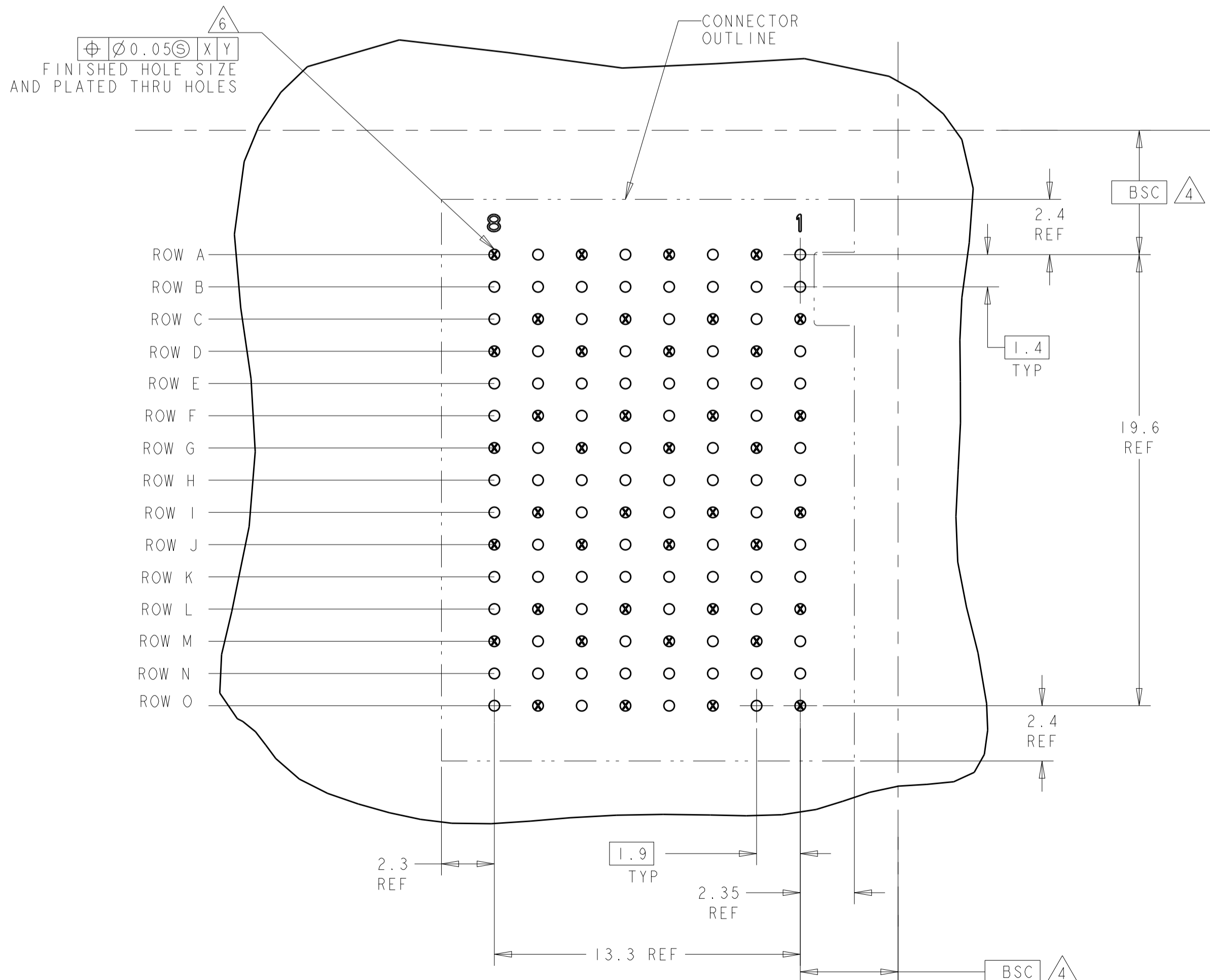


REVISIONS				
P	LTN	DESCRIPTION	DATE	OWN APVD
A		REL PER ECO-10-005637	23MAR2010	WS RP
B		REVISED PER ECO-19-012987	30AUG2019	AP SY

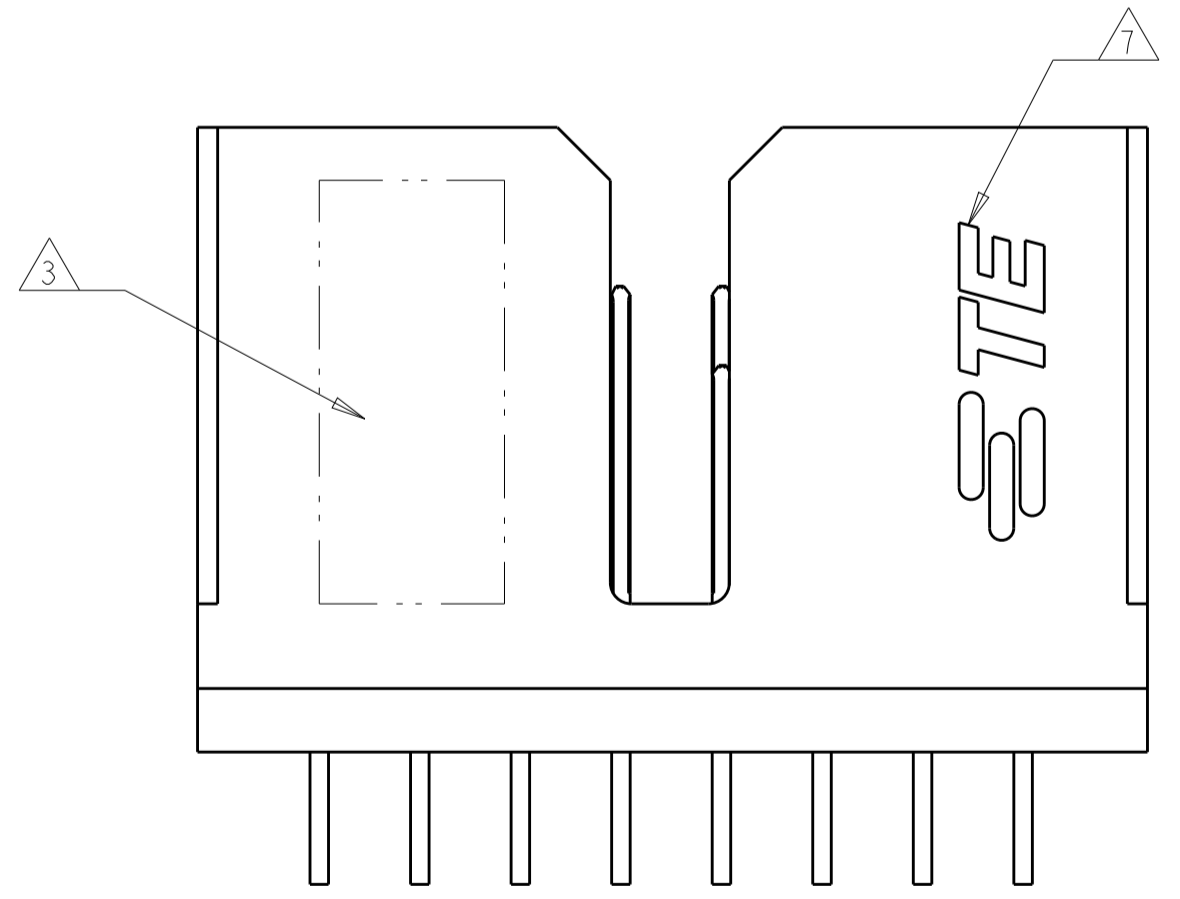


SECTION W-W



○ = SIGNAL  
 ⊗ = GROUND

RECOMMENDED PC BOARD LAYOUT BACKPLANE, COMPONENT SIDE SHOWN  
 SCALE 6:1



- 1 MATERIAL:  
CONTACT - PHOS BRONZE  
HOUSING - LCP, UL 94V-0, COLOR - BLACK
- 2 FINISH: CONFORMS TO THE REQUIREMENTS OF TE PRODUCT SPECIFICATION 108-2303-1; BASED ON TELCORDIA GR-1217-CORE FOR SYSTEM QUALITY LEVEL III, APPLICATIONS IN CONTROLLED ENVIRONMENTS (CENTRAL OFFICE).
- 3 CONNECTOR MARKED WITH PART NUMBER, DATE CODE, 85 OHM, AND STANDARD IN APPROXIMATE AREA SHOWN
- 4 DATUMS AND BASIC DIMENSIONS ESTABLISHED BY CUSTOMER.
- 5. CONTACT AREA LUBRICATED WITH BELLCORE APPROVED LUBRICANT. TECHNICAL REFERENCE GR-1217-CORE, ISSUE 1, NOVEMBER 1995.
- 6 REFERENCE APPLICATION SPEC FOR RECOMMENDED PLATED THRU HOLE DIAMETER AND PLATING THICKNESS.
- 7 SHOWN LOGO OR OTHER TE OWNED LOGOS IN APPROXIMATE AREA

1934948-1  
 PART NUMBER

THIS DRAWING IS A CONTROLLED DOCUMENT.		OWN: JH SOURBEER 01MAY2008	TE Connectivity
DIMENSIONS: mm		CHK: C.RITIER 01MAY2008	
TOLERANCES UNLESS OTHERWISE SPECIFIED:		APVD: -	NAME: HEADER ASSEMBLY, DOUBLE ENDED
0 PLC	±	PRODUCT SPEC: 108-2303-1	5 PAIR, 8 COLUMN
2 PLC	±	APPLICATION SPEC: 114-13243	TinMan 85 OHM
3 PLC	±	SIZE: CAGE CODE DRAWING NO	RESTRICTED TO
4 PLC	±	WEIGHT: -	A   00779   C=1934930_pcb.prt
ANGLES	±	CUSTOMER DRAWING	SCALE 3:1 SHEET 1 OF 1 REV B