

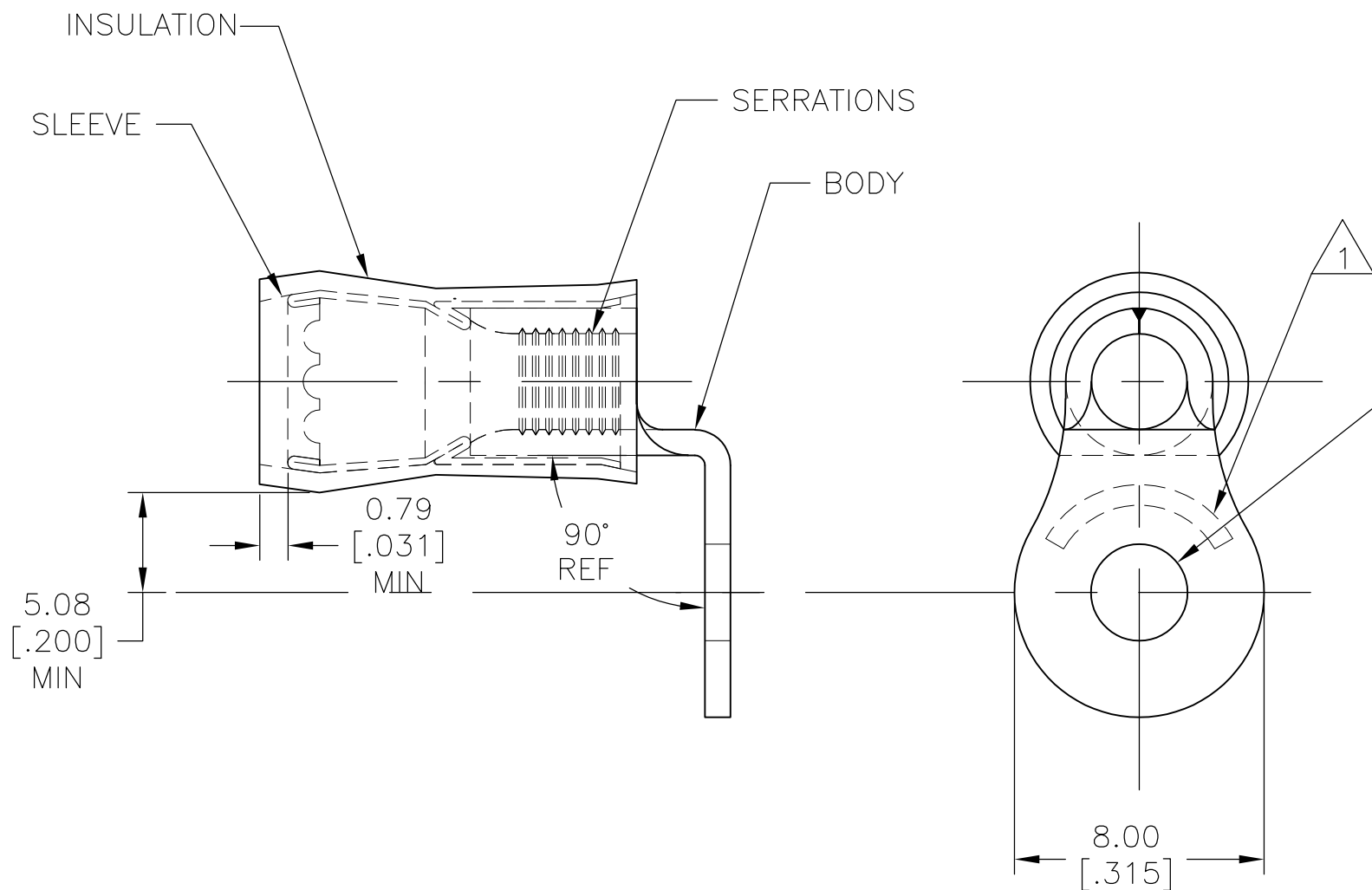
THIS DRAWING IS UNPUBLISHED. RELEASED FOR PUBLICATION

© COPYRIGHT - By - ALL RIGHTS RESERVED.

REVISIONS

P	LTR	DESCRIPTION	DATE	DWN	APVD
1		NEW DRAWING PER ECO-11-018438	12SEP11	HMR	DR
2		REVISED PER ECR-17-002439	04MAR2017	RS	DR

- 1 STAMP AMP 12-10 APPROX AS SHOWN
- 2 WIRE INSUL DIA, 3.81-6.35 [.150-.250]
- 3 TONGUE MATL THK, 1.02±0.05 [.04±.002]
- 4 AMP TESTED AND CONFORMS TO UL486A BUT NOT SUBMITTED TO UL FOR APPROVAL



PRELIMINARY - NOT RELEASED FOR PRODUCTION

500	LOOSE PIECE	1958398-1
QTY	PACKAGE TYPE	PART NO

AMP INCORPORATED CUSTOMER SERVICE SYSTEM		MAX RECOMMENDED OPERATING TEMPERATURE: 105°C[221°F]	THIS DRAWING IS A CONTROLLED DOCUMENT.		DWN RAGHAVENDRA 12SEP11	TE Connectivity				
FOR ADDITIONAL PRODUCT INFORMATION OR COPIES OF DRAWINGS AND TECHNICAL DOCUMENTS	PRODUCT INFORMATION CENTER 1-800-522-6752	VOLTAGE RATING: 300 VOLT MAX	DIMENSIONS: mm [INCHES]	TOLERANCES UNLESS OTHERWISE SPECIFIED:	CHK ROHDE, DANIEL 12SEP11				NAME	
FOR APPLICATION TOOLING INFORMATION	TOOLING ASSISTANCE CENTER 1-800-722-1111	CIRCULAR MIL AREA: 2.62mm²-6.64mm²[5,180-13,100] SOLID OR STRANDED		0 PLC ± -	APVD ROHDE, DANIEL 12SEP11	PRODUCT SPEC				
FOR ORDER ENTRY	1-800-526-5142			1 PLC ± -	2 PLC ± 0.20 [.008]	APPLICATION SPEC				
			MATERIAL BODY & SLEEVE: CU PER ASTM B-152	3 PLC ± -	SIZE			CAGE CODE	DRAWING NO	RESTRICTED TO
			INSULATION: NYLON COLOR: YELLOW	4 PLC ± -	A3			00779	C-1958398	-
				ANGLES ± -	CUSTOMER DRAWING			SCALE	SHEET	REV
				FINISH BODY&SLEEVE: TIN PLATE PER ASTM B545	4:1			1 OF 1	2	