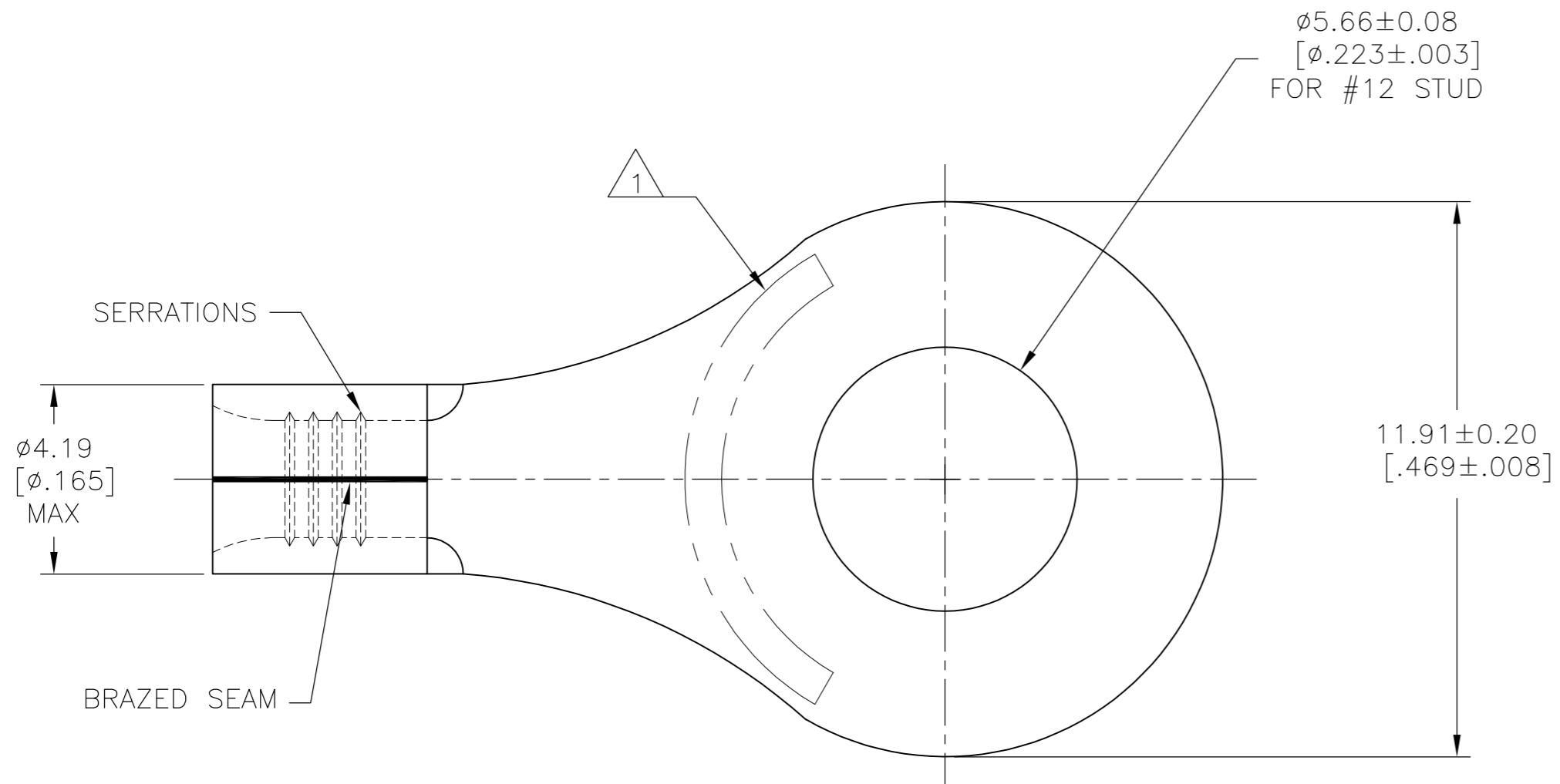


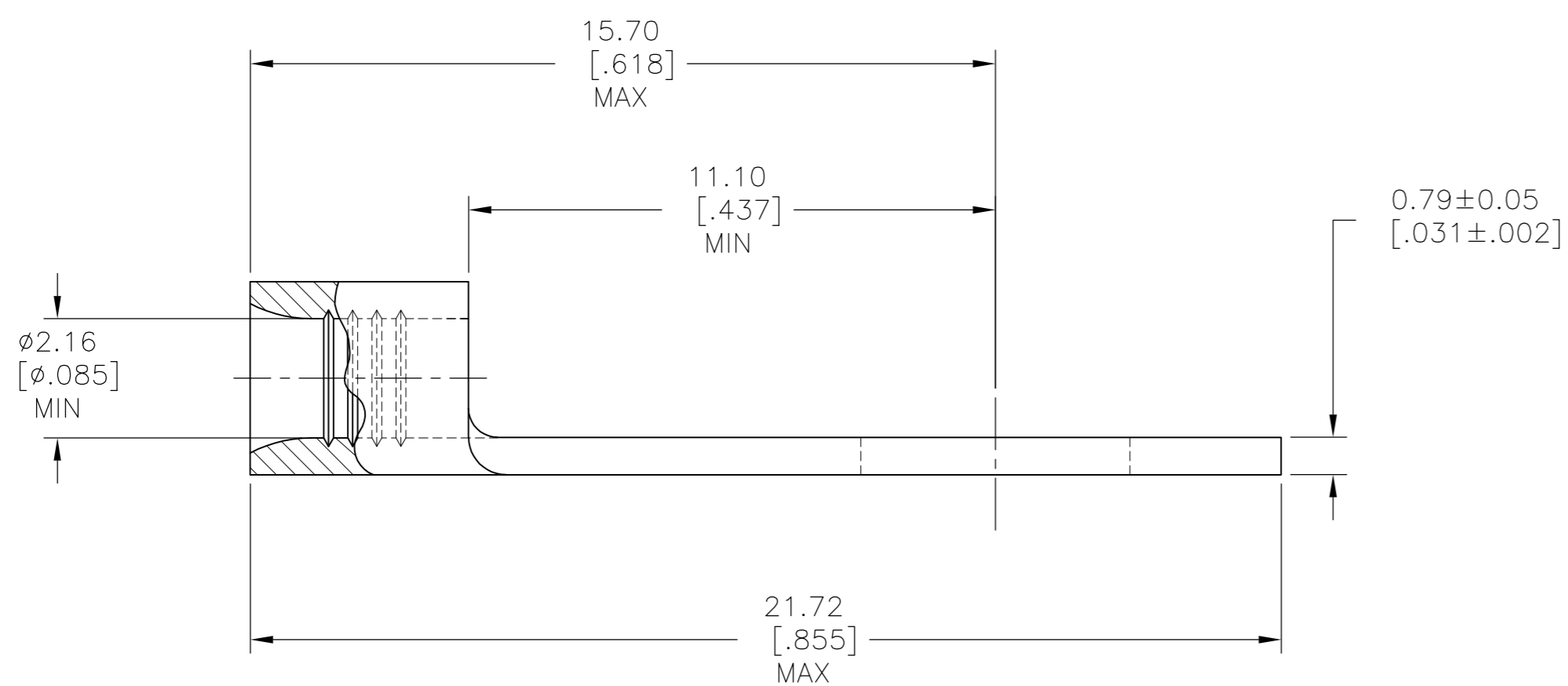
THIS DRAWING IS UNPUBLISHED. RELEASED FOR PUBLICATION
 © COPYRIGHT - By - ALL RIGHTS RESERVED.

REVISIONS				
P	LTR	DESCRIPTION	DATE	APVD
1		NEW DRAWING PER ECO-16-012539	25AUG2016	NK DR



AMP
 WIRE RANGE
 16-14 AWG
 STRANDED

1 STAMP AMP 16-14* APPROX AS SHOWN.



**PRELIMINARY - NOT RELEASED
 FOR PRODUCTION**

AMP INCORPORATED CUSTOMER SERVICE SYSTEMS		MAX RECOMMENDED OPERATING TEMPERATURE: 170°C [338°F] MAX
FOR ADDITIONAL PRODUCT INFORMATION OR COPIES OF DRAWINGS AND TECHNICAL DOCUMENTS	PRODUCT INFORMATION CENTER 1-800-522-6752	VOLTAGE RATING: NOT APPLICABLE
FOR APPLICATION TOOLING INFORMATION	TOOLING ASSISTANCE CENTER 1-800-722-1111	WIRE CROSS SECTIONAL AREA RANGE: 1.04-2.62mm ² [2,050-5,180] CIR MILLS STRANDED
FOR ORDER ENTRY	1-800-526-5142	

THIS DRAWING IS A CONTROLLED DOCUMENT.		DWN 25AUG2016 NAGALAKSHMI K	1000		LOOSE PIECE	1958526-1
DIMENSIONS: mm [INCHES]		CHK 25AUG2016 ROHDE DANIEL F	QTY		PACKAGE TYPE	PART NO
TOLERANCES UNLESS OTHERWISE SPECIFIED: 0 PLC ± - 1 PLC ± - 2 PLC ± - 3 PLC ± - 4 PLC ± - ANGLES ± -		APVD 25AUG2016 ROHDE DANIEL F				
MATERIAL: COPPER PER ASTM B-152 ANNEALED		FINISH: TIN PLATE 0.00254 [0.00100] MIN THK PER ASTM B-545	NAME: ROHDE DANIEL F		TERMINAL, RING TONGUE, SOLISTRAND, 16-14 AWG	
WEIGHT		SIZE: A2	CAGE CODE: 00779	DRAWING NO: C=1958526	RESTRICTED TO: -	
CUSTOMER DRAWING		SCALE: 1:1	SHEET: 1 OF 1	REV: 1		