

THIS DRAWING IS UNPUBLISHED.

RELEASED FOR PUBLICATION

ALL RIGHTS RESERVED.

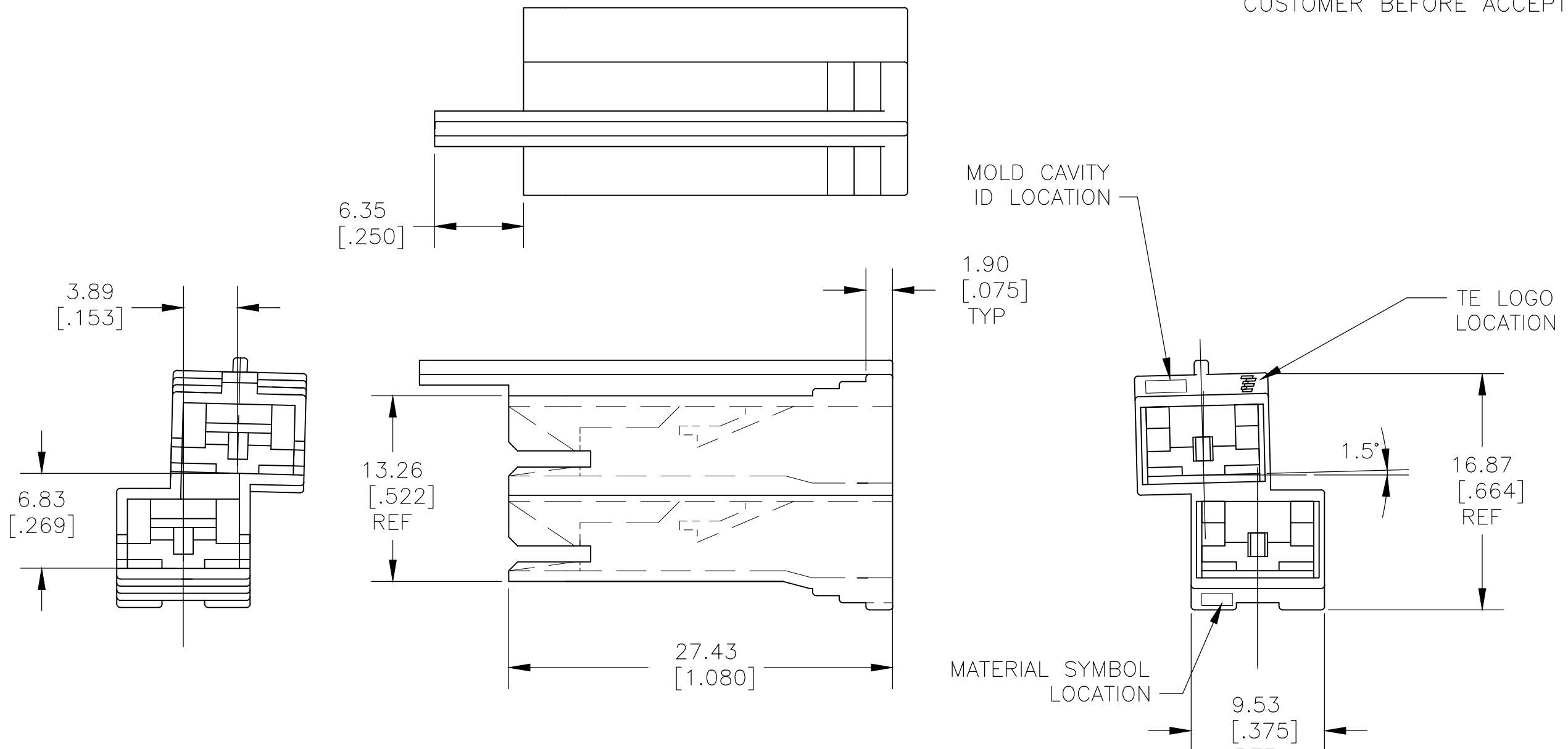
© COPYRIGHT - By -

LOC AF DIST 50

REVISIONS

P	LTR	DESCRIPTION	DATE	DWN	APVD
B		REVISED PER ECR-18-006282	23MAY2018	BDA	DS

1 CENTERLINES MUST BE VERIFIED BY CUSTOMER BEFORE ACCEPTING A P.O.



	NATURAL	66 Nylon V0 Natural	1969199-2
SUPERSEDED BY 1969199-2	-	-	<del>1969199-1</del>
	COLOR	MATERIAL	PART NO

THIS DRAWING IS A CONTROLLED DOCUMENT.		DWN jr_ruth 19MAY08	<b>STE</b> TE Connectivity	
DIMENSIONS: MM [ INCHES ]		CHK P_DESANTIS 19MAY08		
TOLERANCES UNLESS OTHERWISE SPECIFIED:		APVD P_DESANTIS 19MAY08	NAME HOUSING, SWITCH, RECEPTACLE, FASTON, .250 SERIES	
0 PLC ± -		PRODUCT SPEC -	SIZE	
1 PLC ± -		APPLICATION SPEC -	CAGE CODE	
2 PLC ± 0.25 [.010]		WEIGHT	DRAWING NO	
3 PLC ± -		CUSTOMER DRAWING	RESTRICTED TO	
4 PLC ± -			A3 00779 C-1969199	
ANGLES ± 1°		SCALE 3:1 SHEET 1 OF 1 REV B		
MATERIAL 66 NYLON, V0	FINISH COLOR-NATURAL			