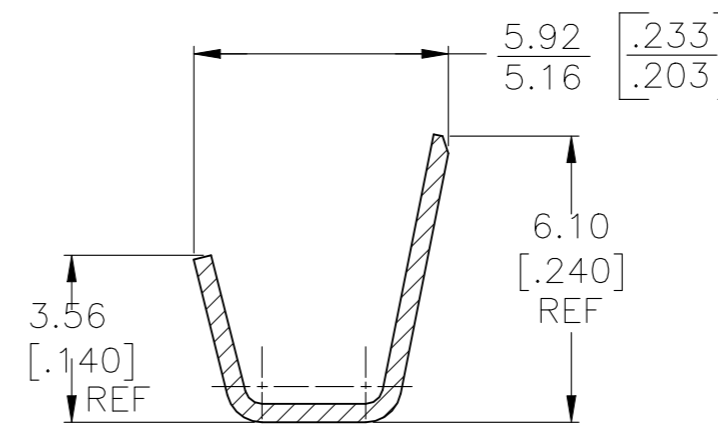
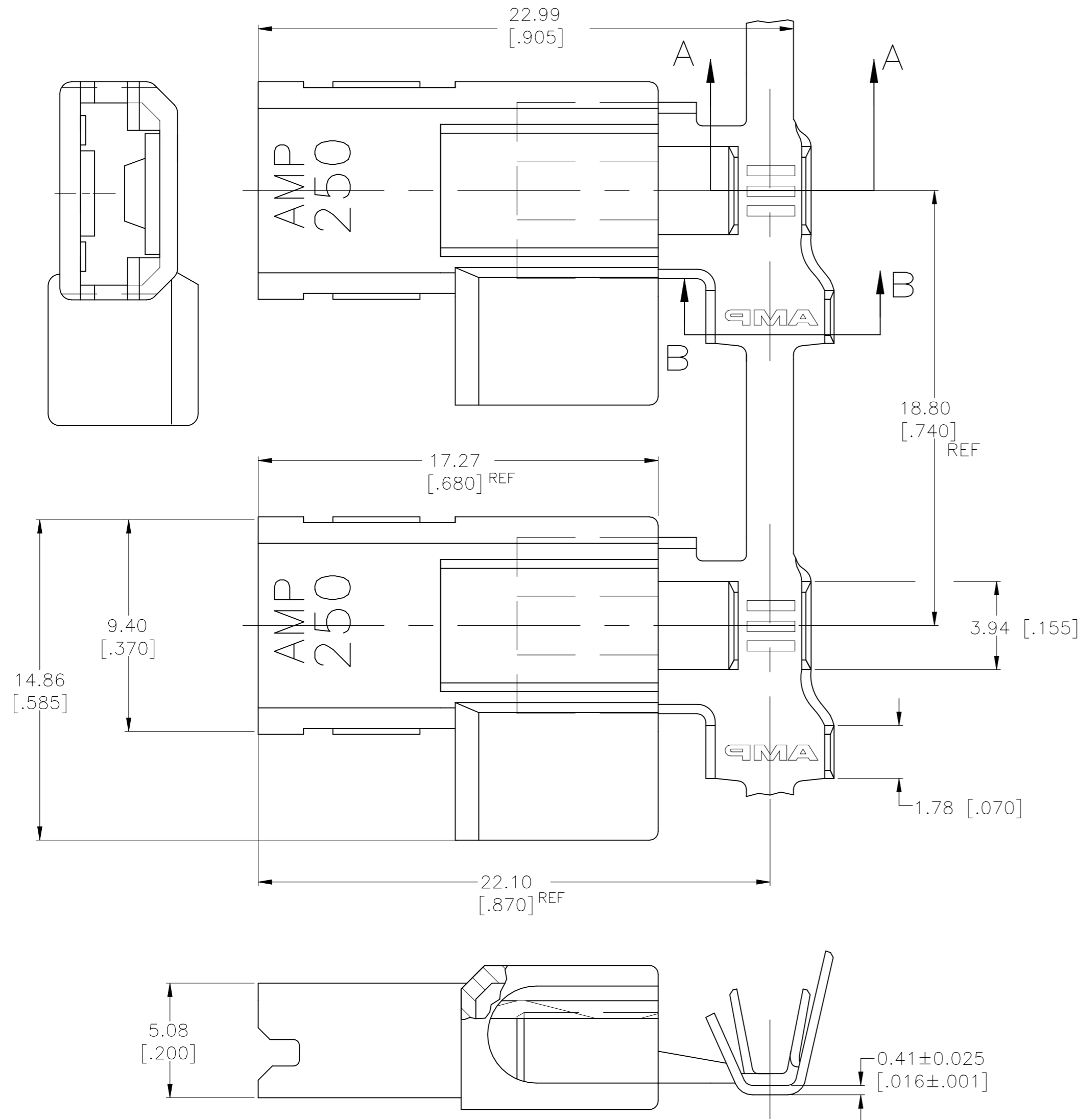
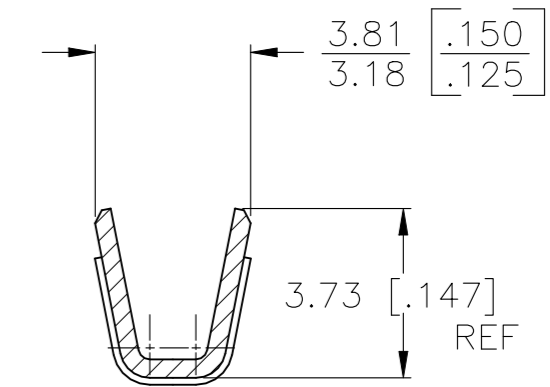


REVISIONS					
P	LTR	DESCRIPTION	DATE	DWN	APVD
A2		REVISED PER ECR-24-207032	07MAY2024	DB	BW

- 1 BUDGET FLAG FASTON TERMINALS, BASE P/N 63559, ARE USED IN THIS PRODUCT.
- 2 PENDING UL & CSA APPROVALS FOR WIRE SIZES: #18, #16, #14 AWG STRANDED WIRE ONLY.
- 3 INSULATION RANGE IS 2.79-4.06 [.110-.160] DIA.
- ⚠️ 4 PRELIMINARY - NOT FOR PRODUCTION.



SECTION B-B



SECTION A-A

NYLON 4/6 - BLACK	TIN PLATED - 4M BRASS	1969283-2
	PLAIN - 4M BRASS	1969283-1/4
HOUSING MATERIAL / COLOR	TERMINAL FINISH - MATERIAL	PART NO

THIS DRAWING IS A CONTROLLED DOCUMENT.		DWN RAGHAVENDRA 08JUN2009																		
DIMENSIONS: INCHES		CHK PORTA GARY 08JUN2009																		
TOLERANCES UNLESS OTHERWISE SPECIFIED:		APVD PORTA GARY 08JUN2009																		
<table border="1"> <tr><td>0 PLC</td><td>±</td><td>-</td></tr> <tr><td>1 PLC</td><td>±</td><td>-</td></tr> <tr><td>2 PLC</td><td>±</td><td>-</td></tr> <tr><td>3 PLC</td><td>±</td><td>0.25 [.010]</td></tr> <tr><td>4 PLC</td><td>±</td><td>-</td></tr> <tr><td>ANGLES</td><td>±</td><td>-</td></tr> </table>		0 PLC				±	-	1 PLC	±	-	2 PLC	±	-	3 PLC	±	0.25 [.010]	4 PLC	±	-	ANGLES
0 PLC	±	-																		
1 PLC	±	-																		
2 PLC	±	-																		
3 PLC	±	0.25 [.010]																		
4 PLC	±	-																		
ANGLES	±	-																		
MATERIAL SEE TABLE	FINISH SEE TABLE	PRODUCT SPEC 108-1285	APPLICATION SPEC 114-2124	SIZE A2	CAGE CODE 00779	DRAWING NO C=1969283	RESTRICTED TO -													
		WEIGHT 0.000000	CUSTOMER DRAWING		SCALE 6:1	SHEET 1 of 1	REV A2													