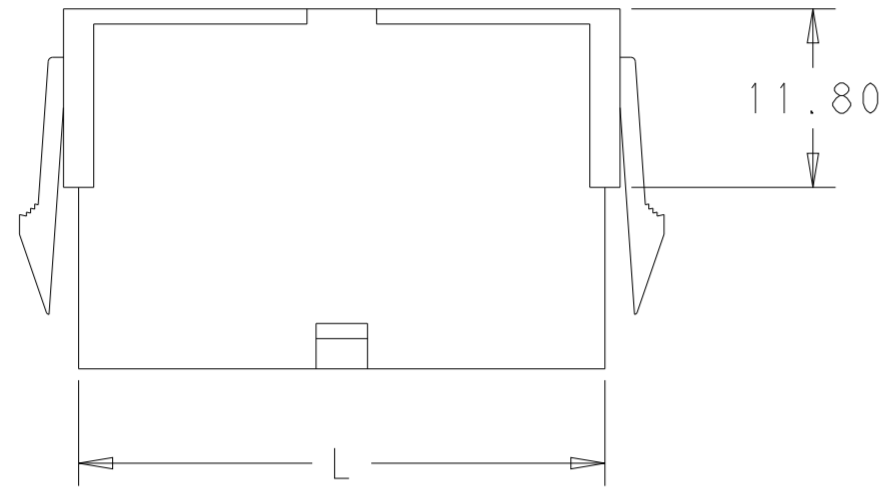
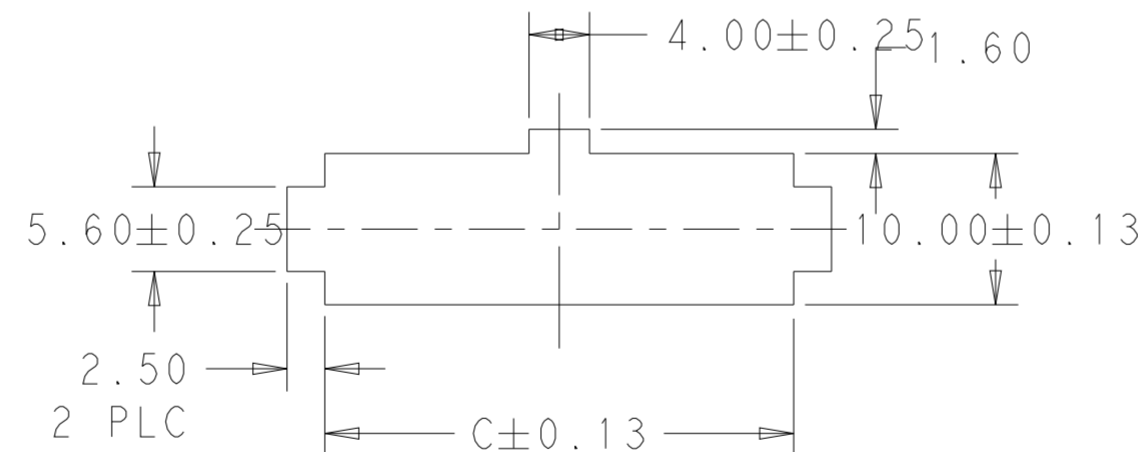
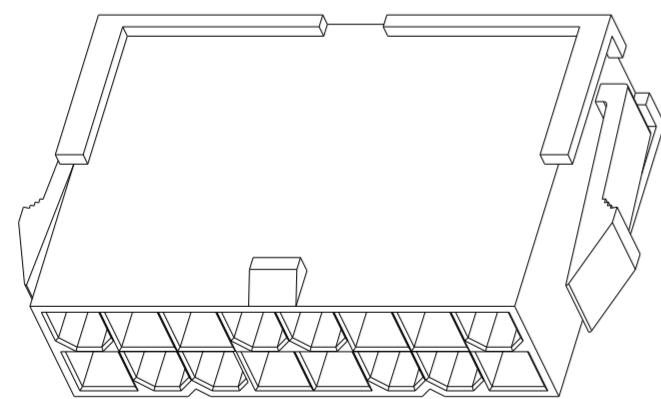
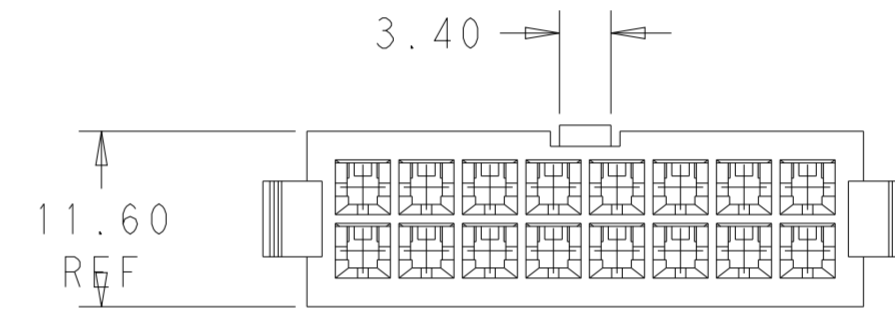
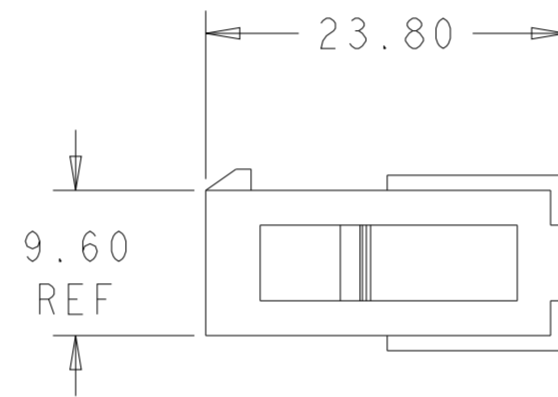
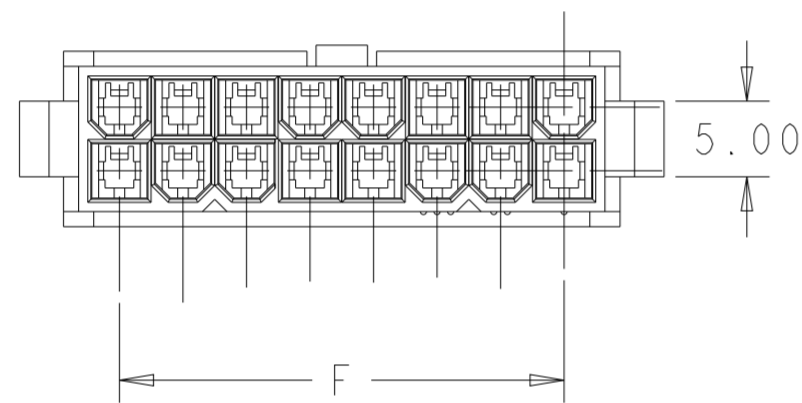


THIS DRAWING IS UNPUBLISHED. RELEASED FOR PUBLICATION 20
 © COPYRIGHT 20 BY - ALL RIGHTS RESERVED.

LOC		DIST		REVISIONS			
P	LTR	DESCRIPTION	DATE	DWN	APVD		
	A	REVISED PER ECR-13-018775	11DEC2013	KH	KR		
	B	REVISED PER ECR-23-163258	21NOV2023	PC	DZ		



- 1 THERMOPLASTIC NYLON66UL94V-0. NATURAL COLOR.
- 2 THIS HOUSING ACCEPTS TERMINAL: 794955-1 AND OTHER SIMILAR TERMINALS
- 3 RECOMMENDED MATING PART: []-1969614-[]



RECOMMENDED CUT-OUT FOR
2.00 MAX THICK PANEL

PANEL MUST BE PUNCHED OUT SO THAT THE
HOUSING ENTERS THE PANEL IN THE
SAME DIRECTION AS THE PUNCH.

52.00	46.2	51.60	24	2-1969613-4
47.80	42.0	47.40	22	2-1969613-2
43.60	37.8	43.20	20	2-1969613-0
39.40	33.6	39.00	18	1-1969613-8
35.20	29.4	34.80	16	1-1969613-6
31.00	25.2	30.60	14	1-1969613-4
26.80	21.0	26.40	12	1-1969613-2
22.60	16.8	22.20	10	1-1969613-0
18.40	12.6	18.00	8	1969613-8
14.20	8.4	13.80	6	1969613-6
10.00	4.2	9.60	4	1969613-4
5.80	--	5.40	2	1969613-2
DIM C	DIM F	DIM L	NO. OF POS	PART NO.

THIS DRAWING IS A CONTROLLED DOCUMENT.

DIMENSIONS:	TOLERANCES UNLESS OTHERWISE SPECIFIED:	DWN	18JAN13	 TE Connectivity			
mm	0 PLC ±	CHK	18JAN13				
	1 PLC ±	APVD	18JAN13				
	2 PLC ±0.25	NAME	KURT RANDOLPH				
	3 PLC ±	PRODUCT SPEC	108-2112				
	4 PLC ±	APPLICATION SPEC	114-13172				
MATERIAL	ANGLES ±	WEIGHT	-	SIZE	CAGE CODE	DRAWING NO	RESTRICTED TO
	FINISH			A2	00779	C-1969613	-

Customer Drawing SCALE 2:1 SHEET 1 OF 1 REV B