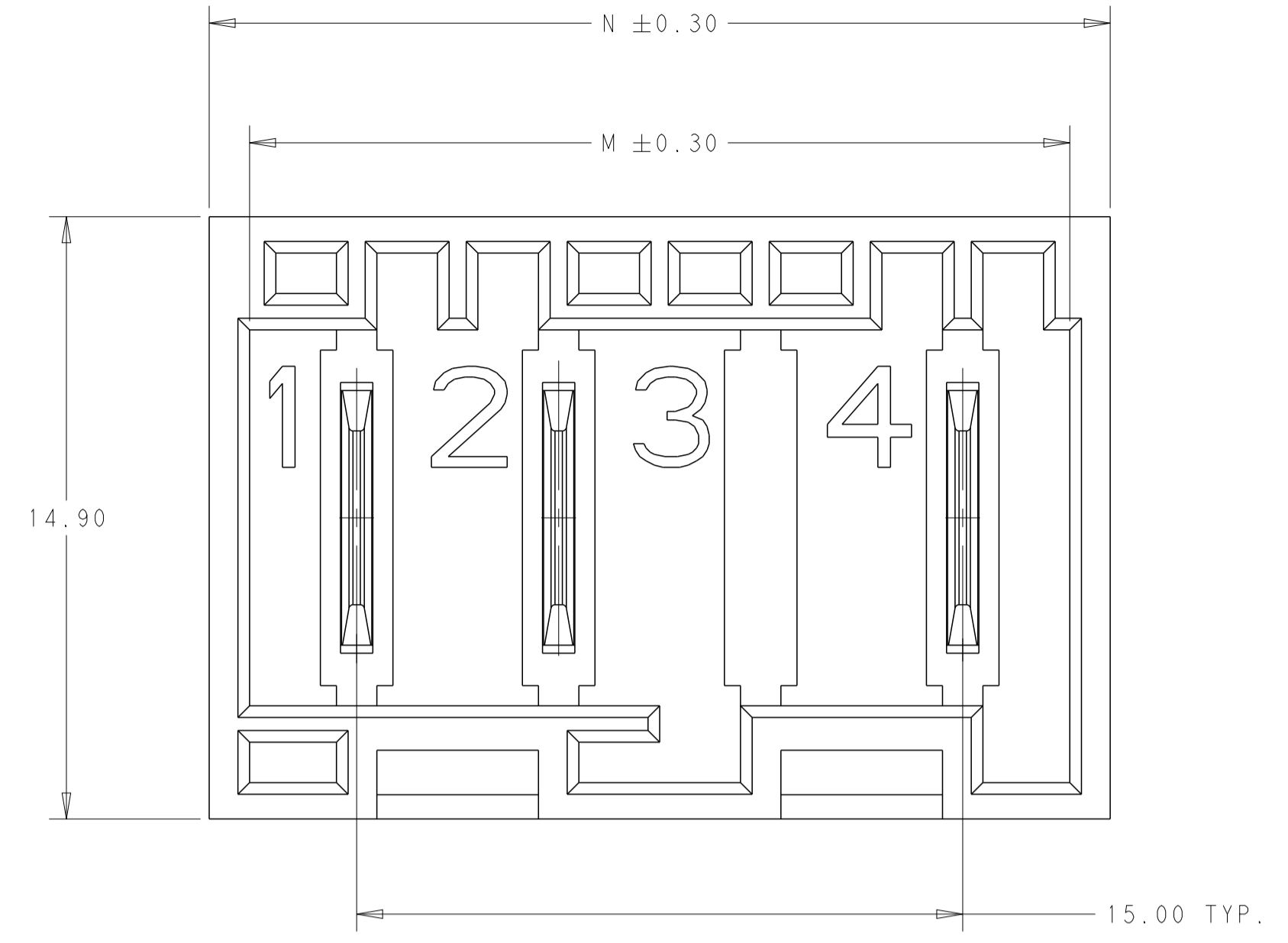
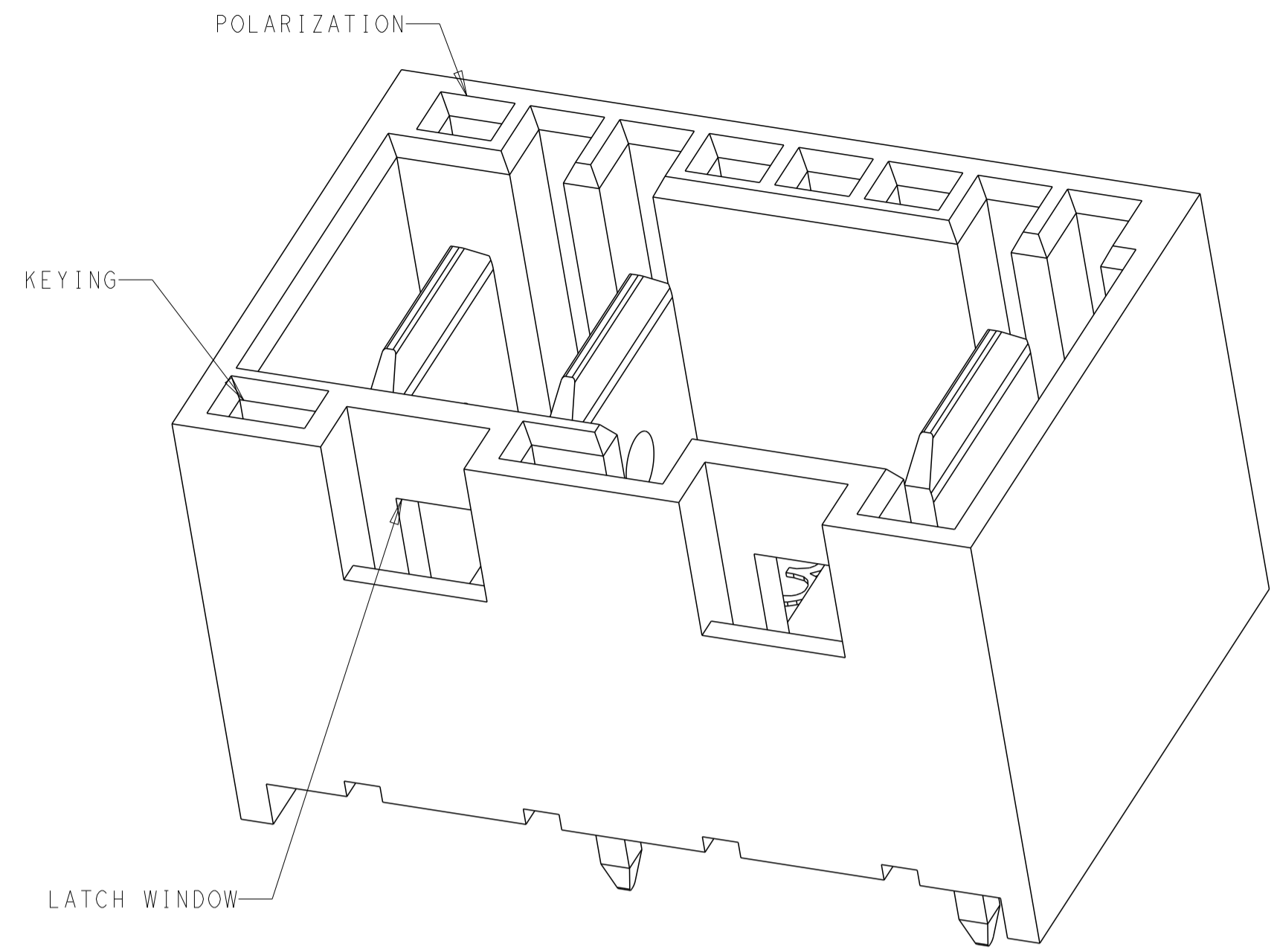
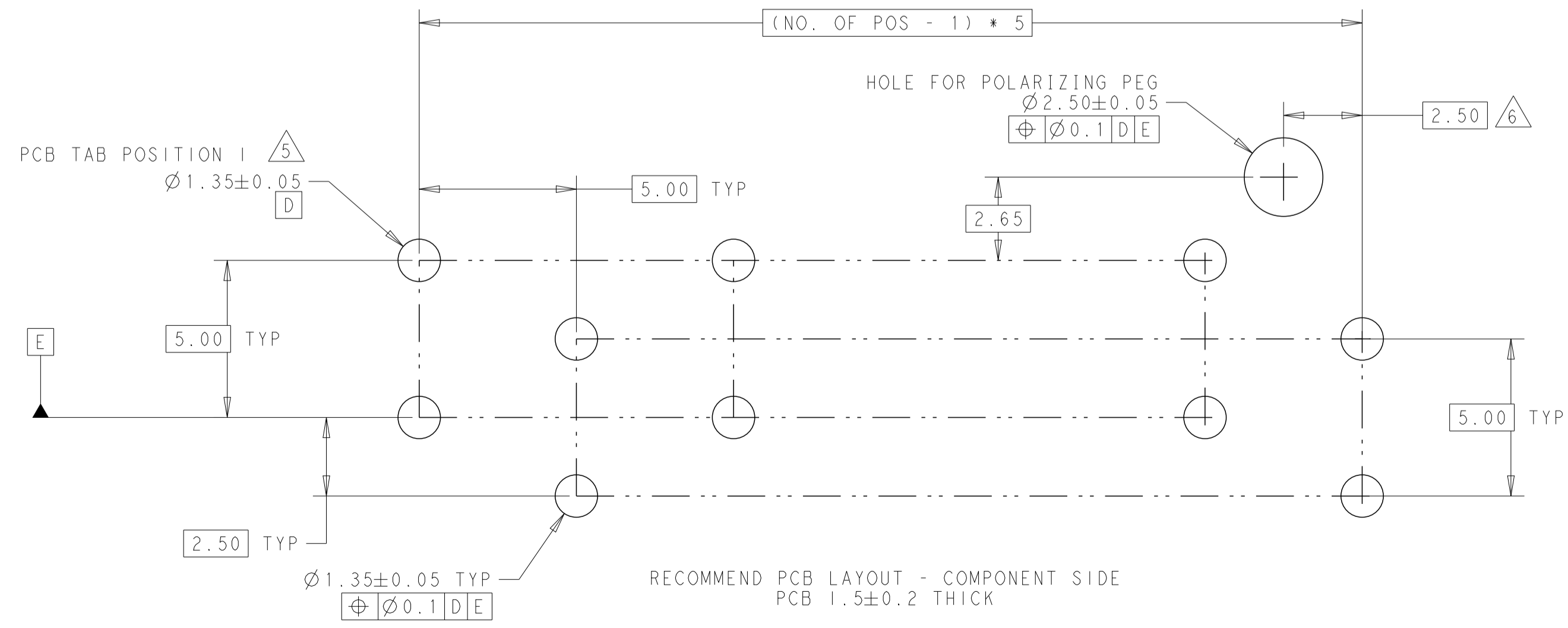
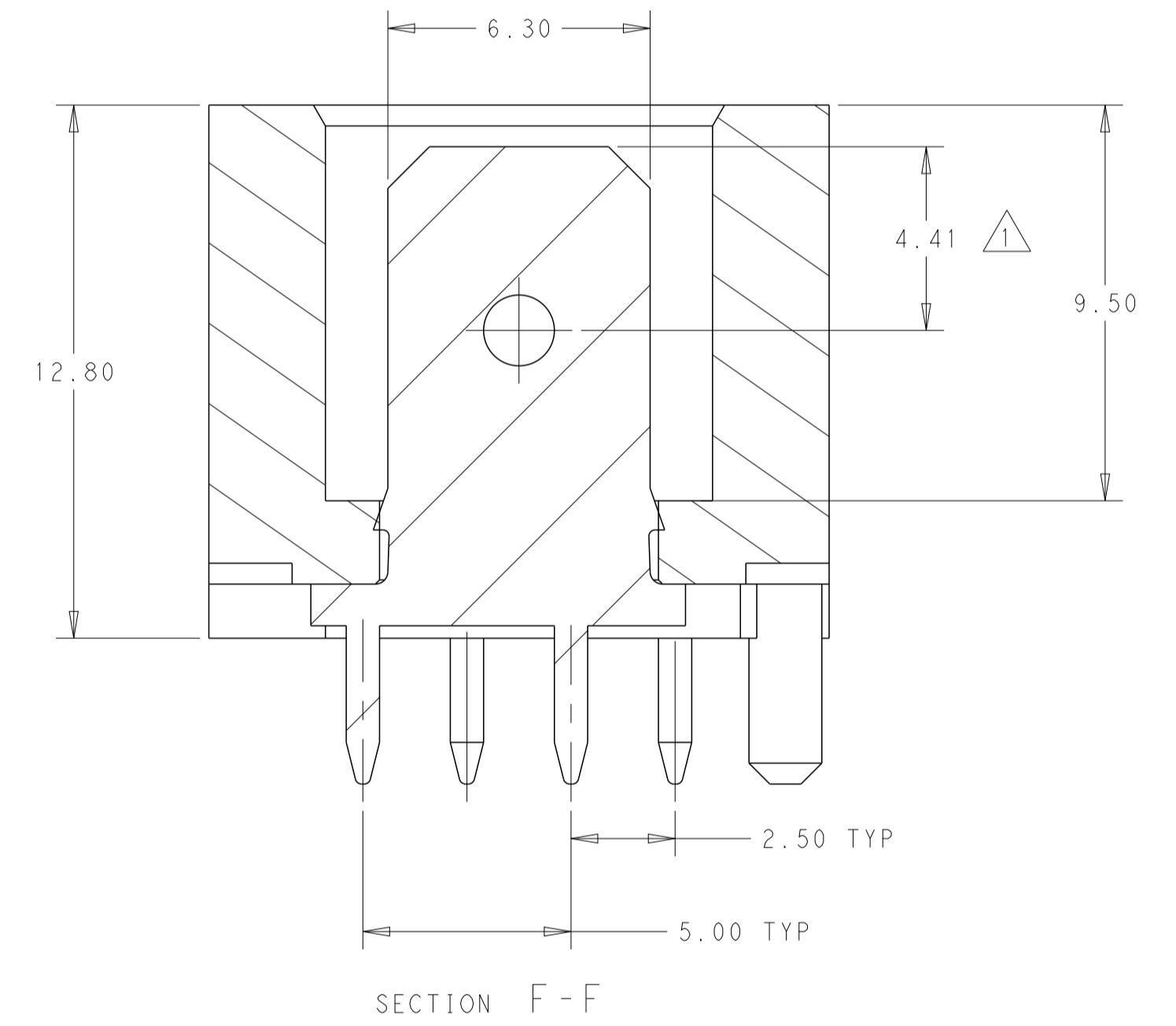
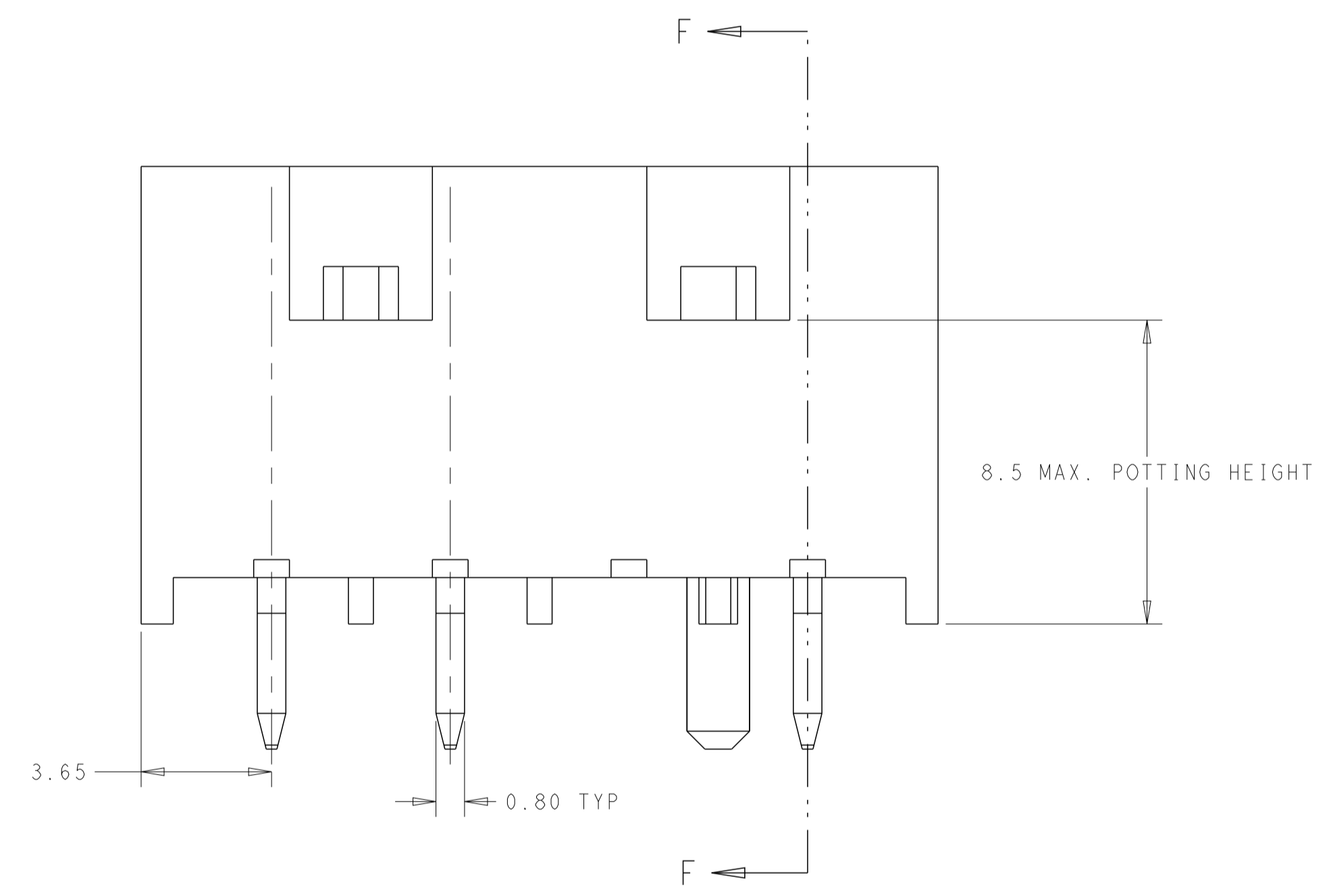
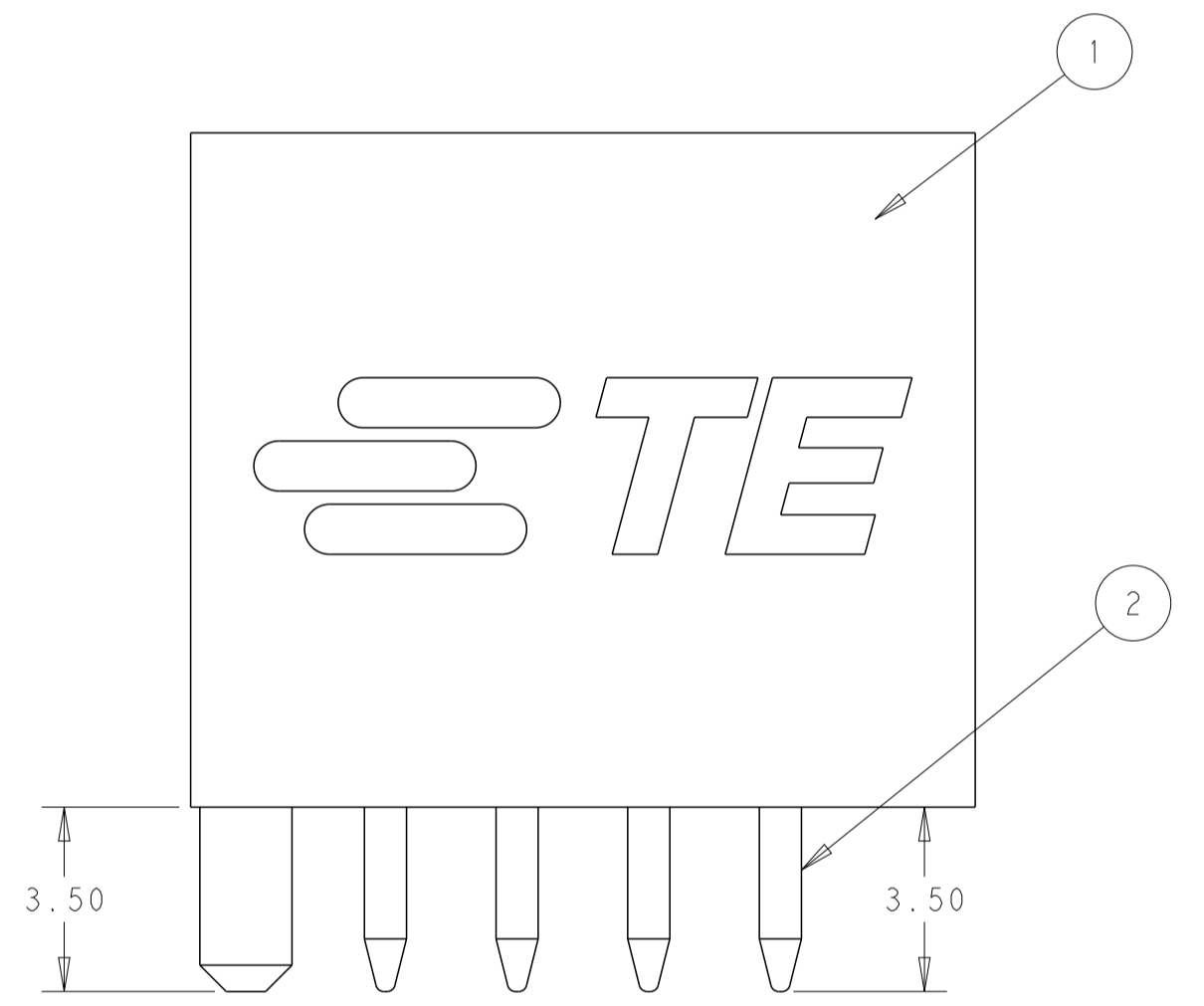


REVISIONS				
P	LTN	DESCRIPTION	DATE	APVD
B	ECR-21-100869		31MAR2021	PJ FL
B1	ECR-21-107354		15JUL2021	SM WW
B2	ECR-21-118862		05NOV2021	SM FL
C	ECR-22-134616		06APR2022	PJ FL



NOTES:

- 1 HOUSING HAS RAST 5 COMPLIANT KEYING, LATCHING, AND POLARIZATION TAB IS 6.30 X 0.8 ACCORDING TO DIN 46244
- 2 SEE SHEET 2 FOR AVAILABLE CONFIGURATIONS
- 3 MATERIAL: HOUSING, NYLON, UL94 V0, 750°C GWT NO FLAME CONTACT: COPPER ALLOY, 0.8MM THICK
- 4 FINISH:
 CONTACTS WITH TIN: MATTE TIN PLATING OVERALL, NICKEL UNDER-PLATING
 CONTACTS WITH SILVER: SILVER PLATING OVERALL, NICKEL UNDER-PLATING
- 5 PCB TABS INSERTED IN A STAGGERED PATTERN BEGINNING WITH POSITION 1
- 6 DIMENSION OFF OF LAST POSITION REGARDLESS OF EVEN OR ODD POSITION HEADER
- 7 PACKAGING: LOOSE PIECE
- 8 PRELIMINARY PART - NOT RELEASED FOR PRODUCTION THIS PRODUCT HAS NOT COMPLETED QUALIFICATION TESTING



9 TOOL MARK ON TERMINAL SURFACE IS ACCEPTABLE WHICH DOES NOT IMPACT FUNCTION

20.30	22.30	4
15.30	17.30	3
10.30	12.30	2
M	N	NO. OF POS.

THIS DRAWING IS A CONTROLLED DOCUMENT. DWG: J. POTERJOY 09APR2015
 CHK: F. LUPO 09APR2015
 APVD: H. ROBONO 09APR2015

TE Connectivity

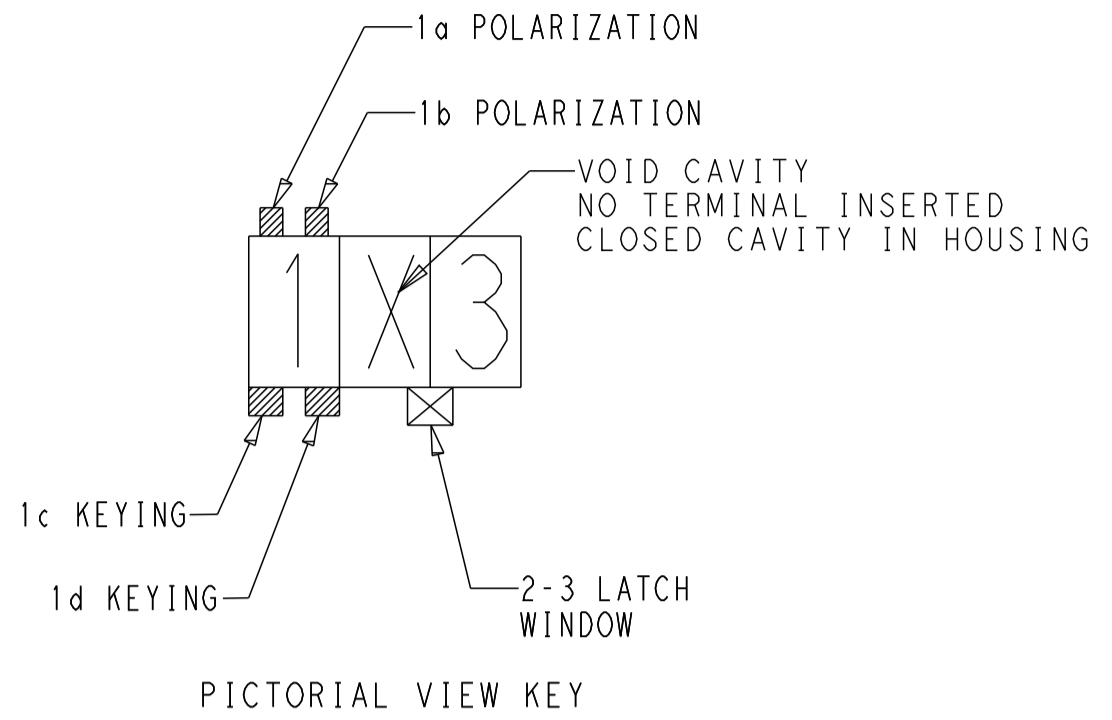
NAME: RAST 5 TAB HEADER ASSY, DIN SHROUDED, VERTICAL, SELECT LOAD

PRODUCT SPEC: 108-106080
 APPLICATION SPEC:

SIZE: A1 CAGE CODE: - DRAWING NO: C=1969738
 WEIGHT: - RESTRICTED TO: -

MATERIAL: SEE NOTES FINISH: SEE NOTES
 CUSTOMER DRAWING SCALE: 7:1 SHEET 1 OF 2 REV C

REVISIONS				
P.	LTN.	DESCRIPTION	DATE	APVD.
-	-	SEE SHEET 1	-	-



	NATURAL	3	DIN TAB CONTACT WITH MATTE TIN PLATING	1	RAST 5 TAB HEADER HOUSING	4	1969738-4 △8
	NATURAL	2	DIN TAB CONTACT WITH MATTE TIN PLATING	1	RAST 5 TAB HEADER HOUSING	3	1969738-3
LAYOUT	COLOR	QTY	TAB CONTACT (2)	QTY	HEADER HOUSING (1)	NO. OF POS	TE PART NO.

	NATURAL	2	DIN TAB CONTACT WITH SILVER PLATING	1	RAST 5 TAB HEADER HOUSING	3	2-2355813-3 △8
							1-2355813-3
							2355813-3
LAYOUT	COLOR	QTY	TAB CONTACT (2)	QTY	HEADER HOUSING (1)	NO. OF POS	TE PART NO.

THIS DRAWING IS A CONTROLLED DOCUMENT.

DIMENSIONS: mm	TOLERANCES UNLESS OTHERWISE SPECIFIED: 0 PLC ± 1 PLC ± 2 PLC ±0.25 3 PLC ± 4 PLC ± ANGLES ±° FINISH	DWN J. POTERJOY 09APR2015 CHK F. LUPO 09APR2015 APVD R. ROBONE 09APR2015 PRODUCT SPEC APPLICATION SPEC WEIGHT CUSTOMER DRAWING	TE Connectivity NAME RAST 5 TAB HEADER ASSY, DIN SHROUDED, VERTICAL, SELECT LOAD SIZE A1 CAGE CODE - DRAWING NO. C=1969738 SCALE 8:1 SHEET 2 OF 2 REV C
----------------	--	--	--