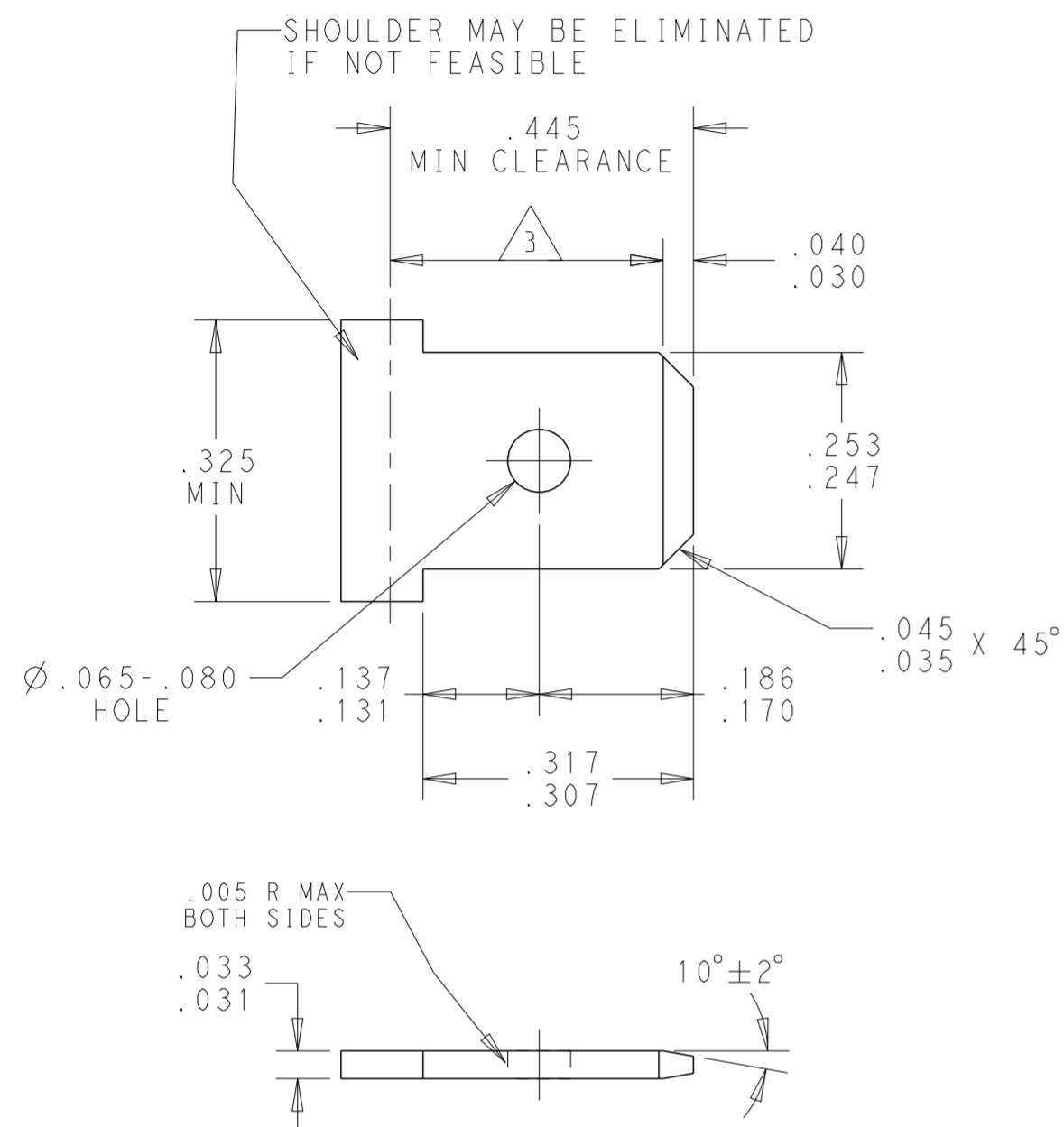
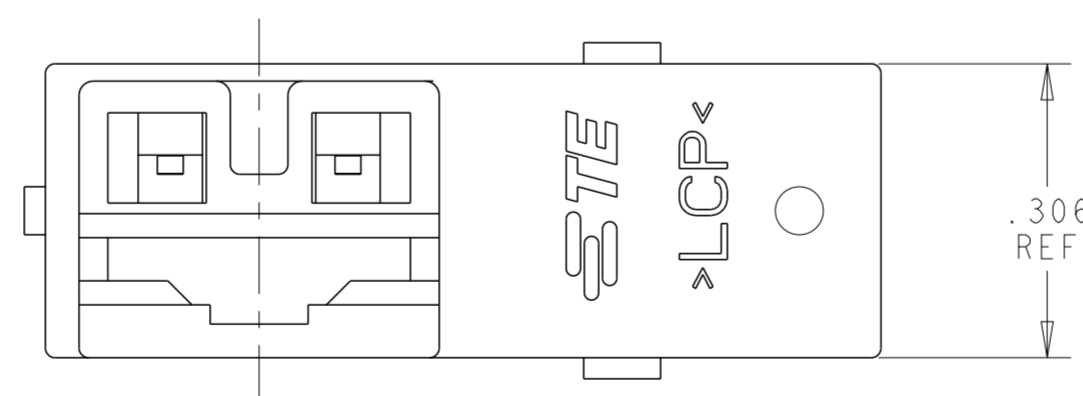
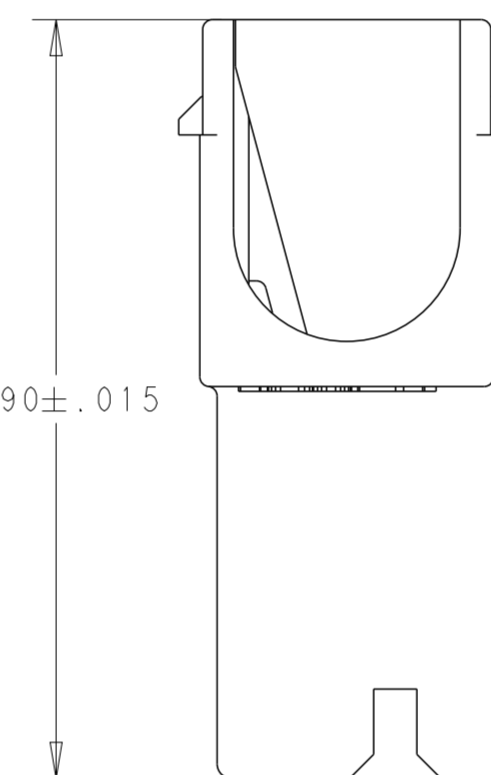
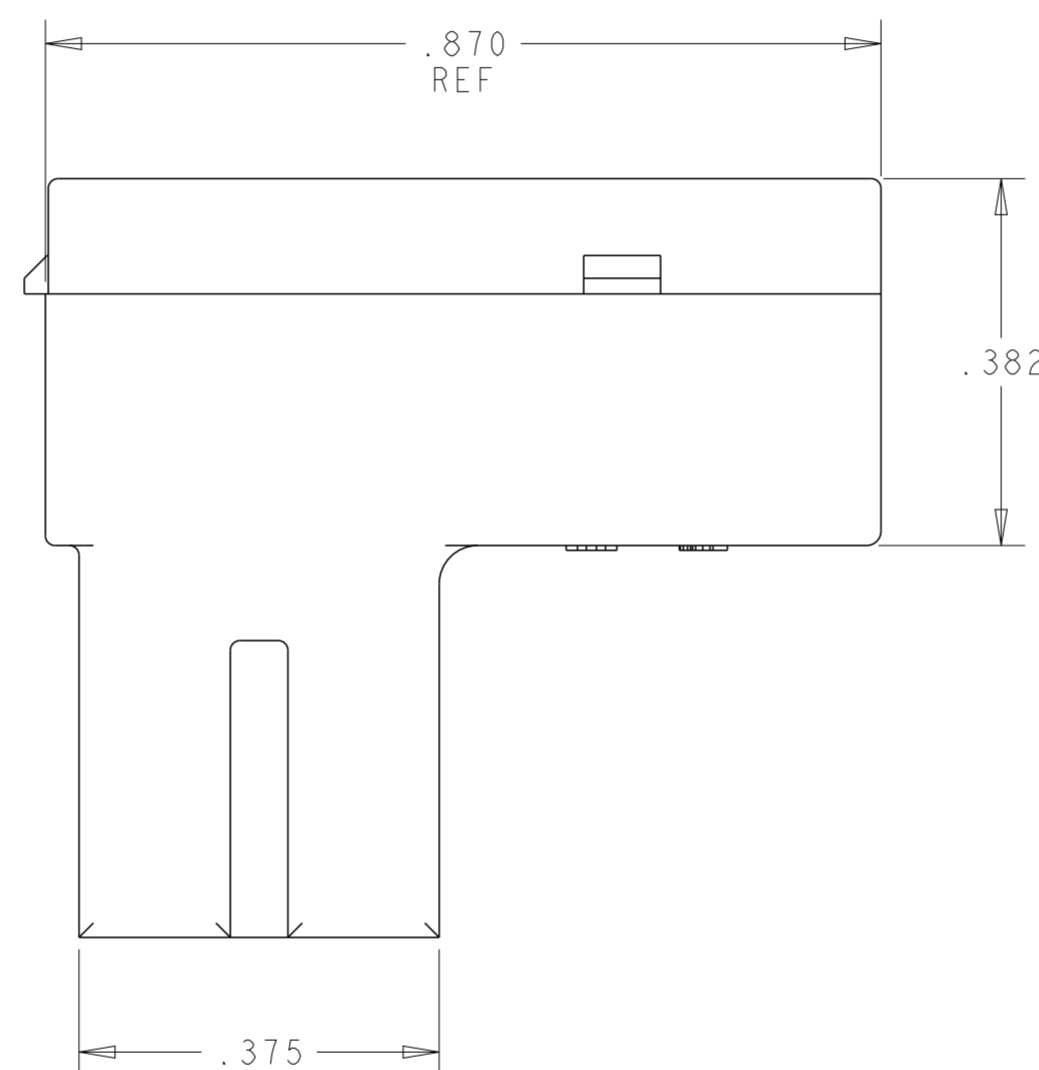
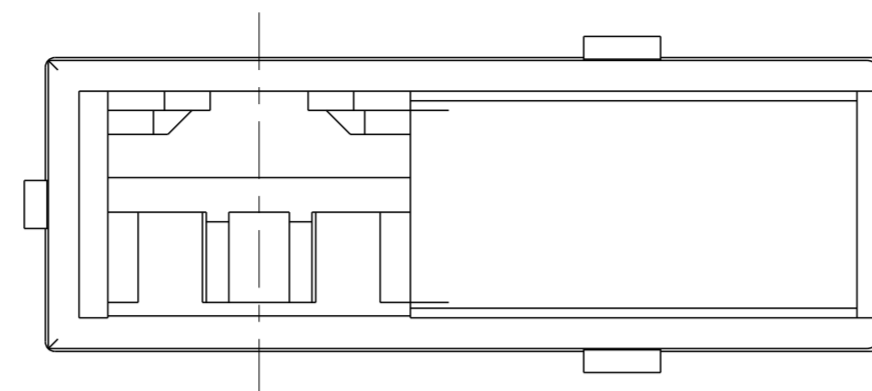


REVISIONS				
P	LTR	DESCRIPTION	DATE	APVD
	A	REVISED PER ECR-17-015197	23OCT2017	BDA MD

### SUGGESTED MATING TAB



- 1 MATERIAL: 1/2 H BRASS OR NICKEL PL STEEL.
- 2 NO BURRS PERMISSIBLE AT HOLE.
- 3 MUST BE FLAT WITHIN 0.076 [.003] OVER THIS LENGTH.
- 4 TIN PLATING IS REQUIRED ON BRASS WHEN TERMINAL TEMP. IS OVER 225°F
- 5 HOLE MUST BE SYMMETRICAL ABOUT TAB  $\phi$  WITHIN 0.076 [.003]  
\* TO BE USED ONLY WHEN SHOULDER IS ELIMINATED.



- 1 FOR USE WITH MKII POSITIVE LOCK TERMINALS 2238141, 2238106 AND 2238105
- 2 THIS PRODUCT HAS NOT COMPLETED QUALIFICATION TESTING

LCP	1969823-1	2
MATERIAL	PART NUMBER	

THIS DRAWING IS A CONTROLLED DOCUMENT.		DWN BASVESH WARAD 13JAN2016	TE Connectivity	
DIMENSIONS: in		CHK DIDONATO, MICHAEL 13JAN2016		
TOLERANCES UNLESS OTHERWISE SPECIFIED:		APVD DIDONATO, MICHAEL 13JAN2016	NAME FASTON HOUSING	
0 PLC ±	1 PLC ±	PRODUCT SPEC 108-143022	-	
2 PLC ±	3 PLC ±.010	APPLICATION SPEC	-	
4 PLC ±	ANGLES ±	WEIGHT	-	
FINISH		CUSTOMER DRAWING	SCALE 5:1	SHEET 1 OF 1
MATERIAL LCP			RESTRICTED TO	REV A