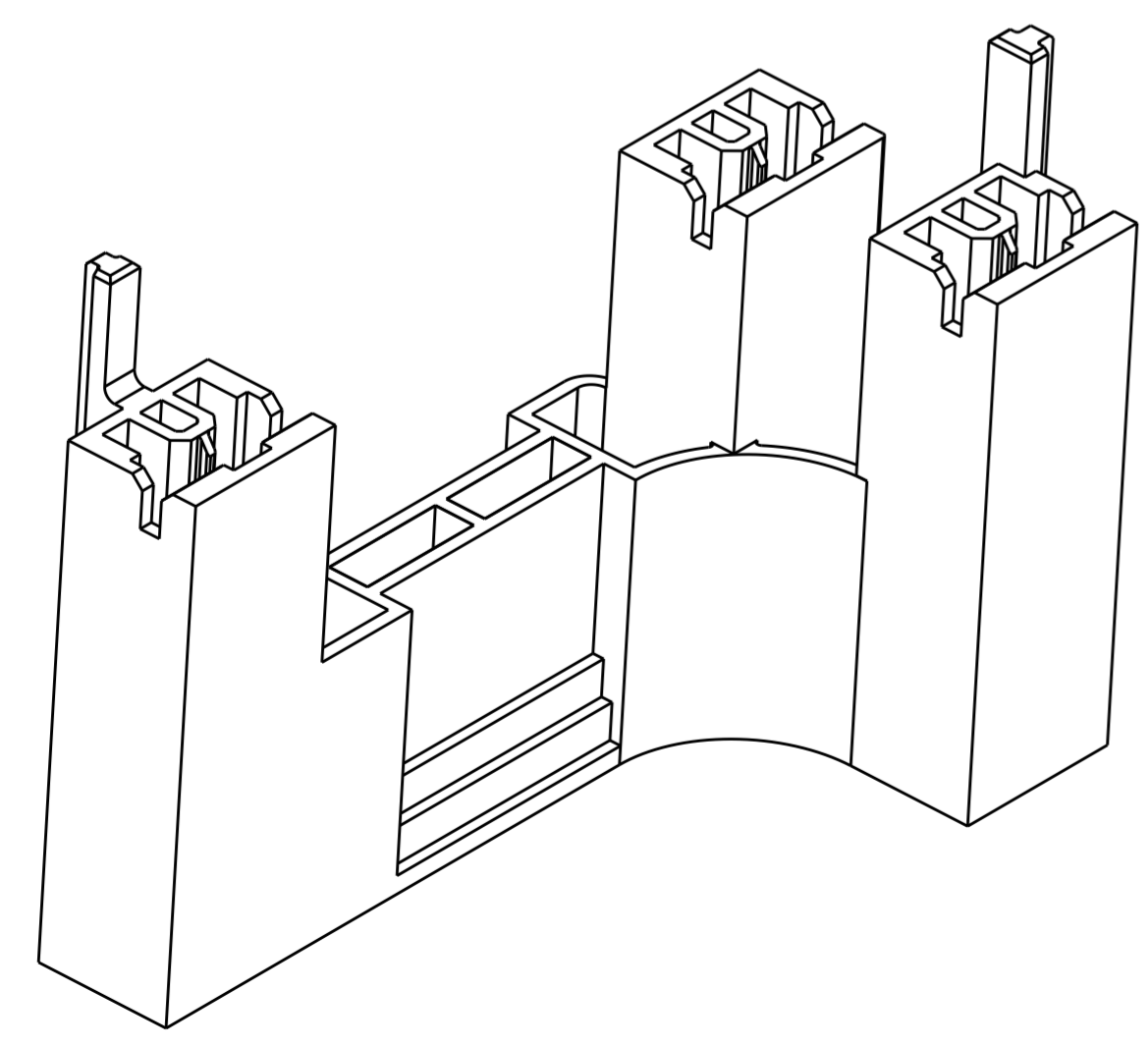
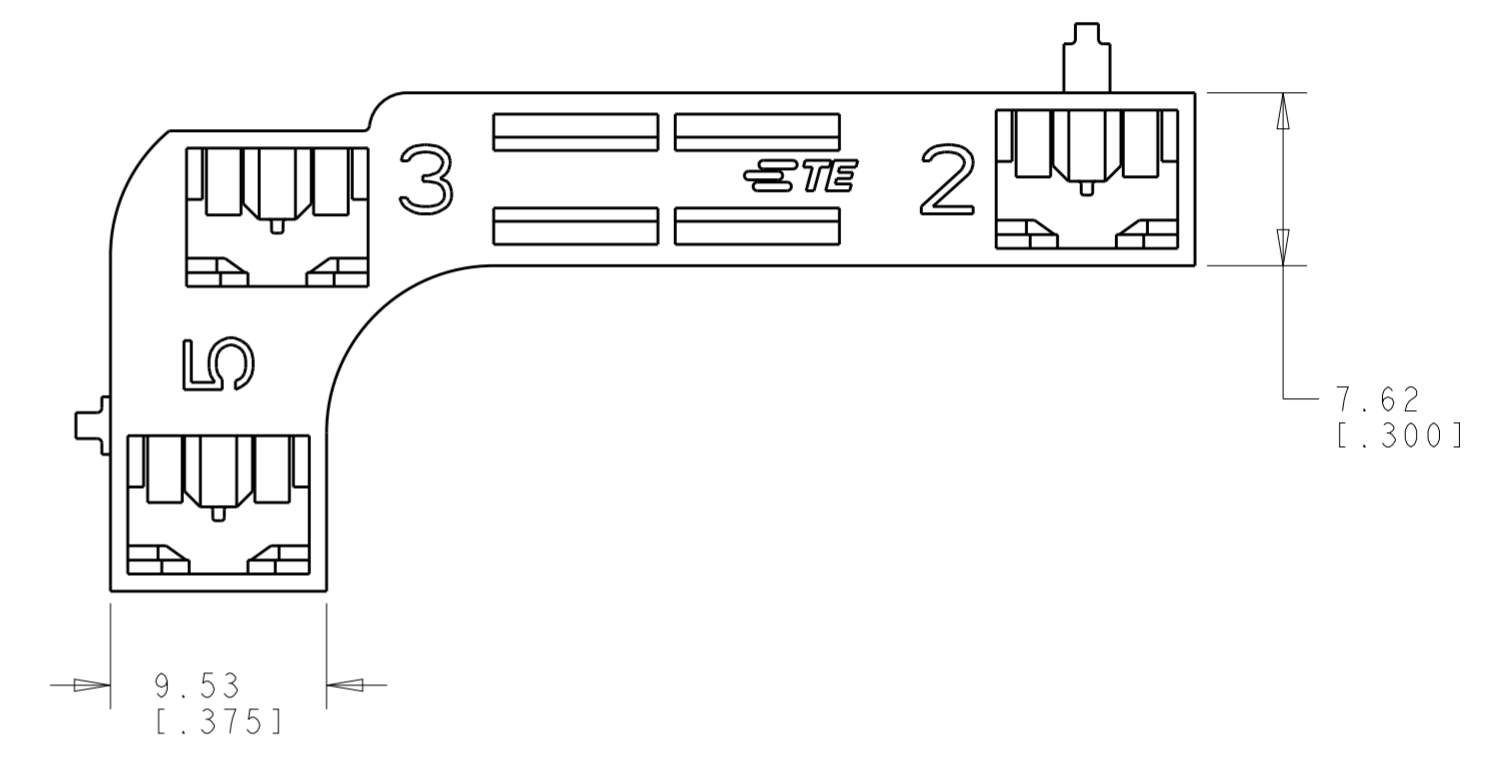
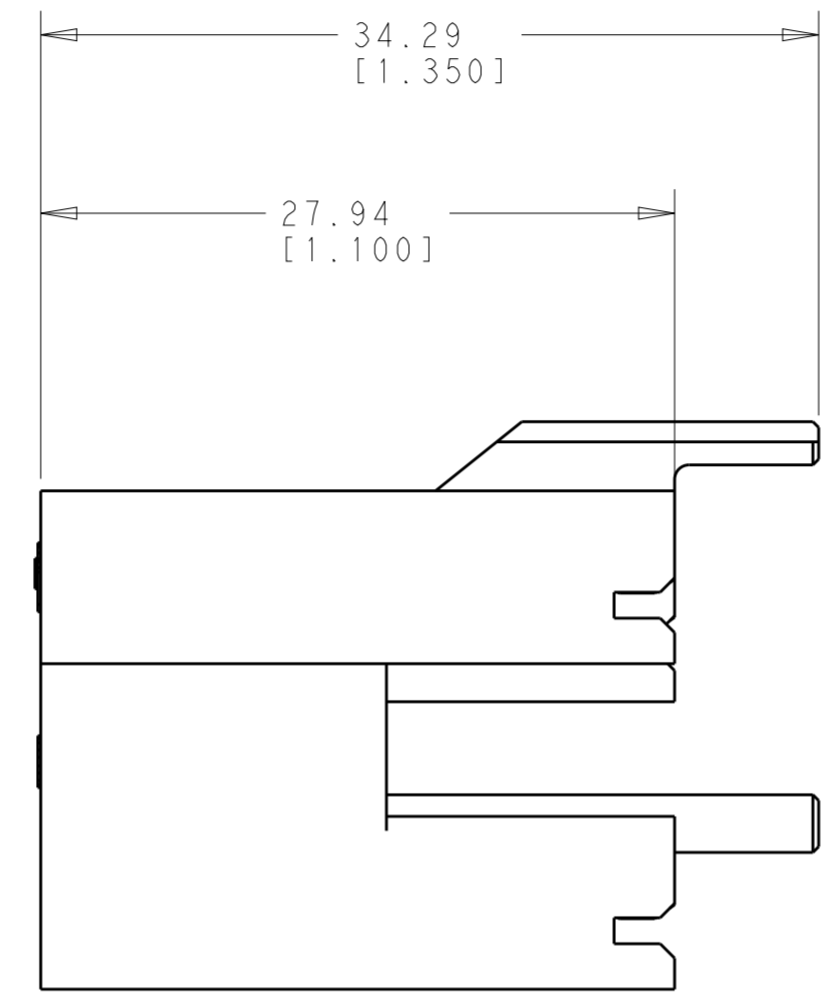
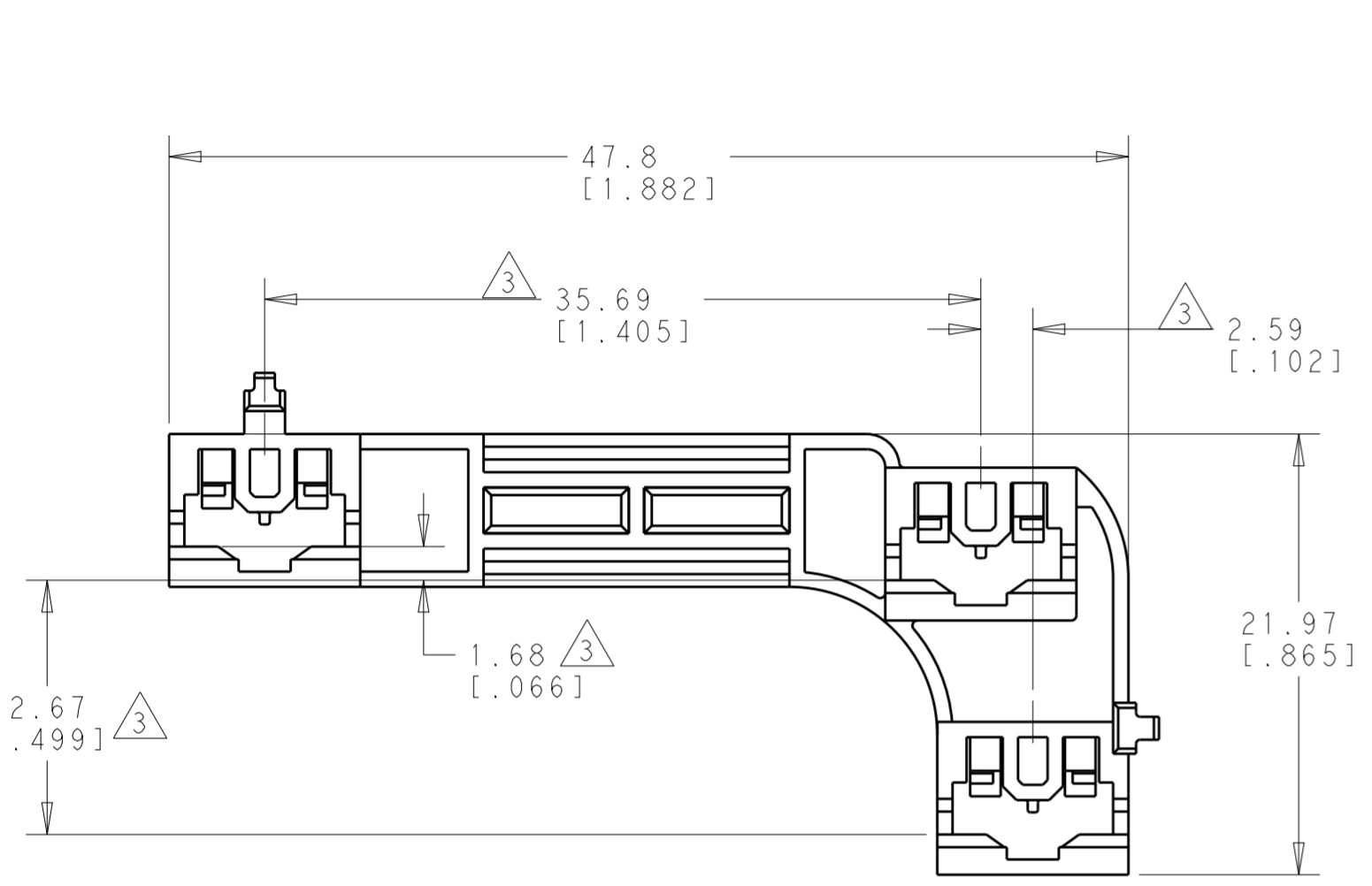


THIS DRAWING IS UNPUBLISHED. RELEASED FOR PUBLICATION  
 © COPYRIGHT - BY - TE CONNECTIVITY ALL RIGHTS RESERVED.

REVISIONS				
P	LTR	DESCRIPTION	DATE	APVD
	A2	REVISED PER ECO-19-012700	15AUG2019	RS LB

- USE WITH 250 SERIES MARK II POSITIVE LOCK TERMINALS 2238155, 2238156 OR 170329
  - NOTE DELETED
- △ SWITCH RECOMMENDED TAB LAYOUT TO BE WITHIN ±0.127 [ .005 ] OF TE HOUSING CENTERLINES AND CONFORM TO .250 X .032 UL 310 DIMENSIONS



THIS DRAWING IS A CONTROLLED DOCUMENT.		DWN 17FEB2017 BASVESH WARAD	V0, 130C	BLACK	1969865-1
DIMENSIONS: mm [INCHES]		CHK 17FEB2017 DIDONATO, MICHAEL	RATINGS	COLOR	PART NUMBER
TOLERANCES UNLESS OTHERWISE SPECIFIED:		APVD 17FEB2017 DIDONATO, MICHAEL	TE Connectivity <b>3 POS POSITIVE LOCK .250 MARK II</b>		
0 PLC ±		PRODUCT SPEC			
1 PLC ±		APPLICATION SPEC	SIZE	CAGE CODE	DRAWING NO
2 PLC ±0.38 [0.015]		WEIGHT	A2	00779	C-1969865
3 PLC ±		CUSTOMER DRAWING	SCALE	SHEET	OF
4 PLC ±			3:1	1	1
ANGLES ±5°					REV A2
FINISH					
MATERIAL NYLON					