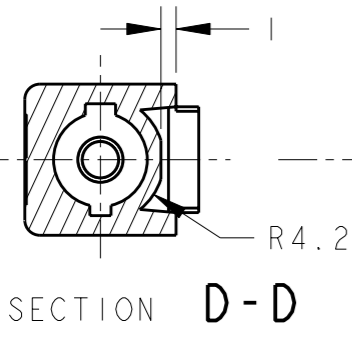
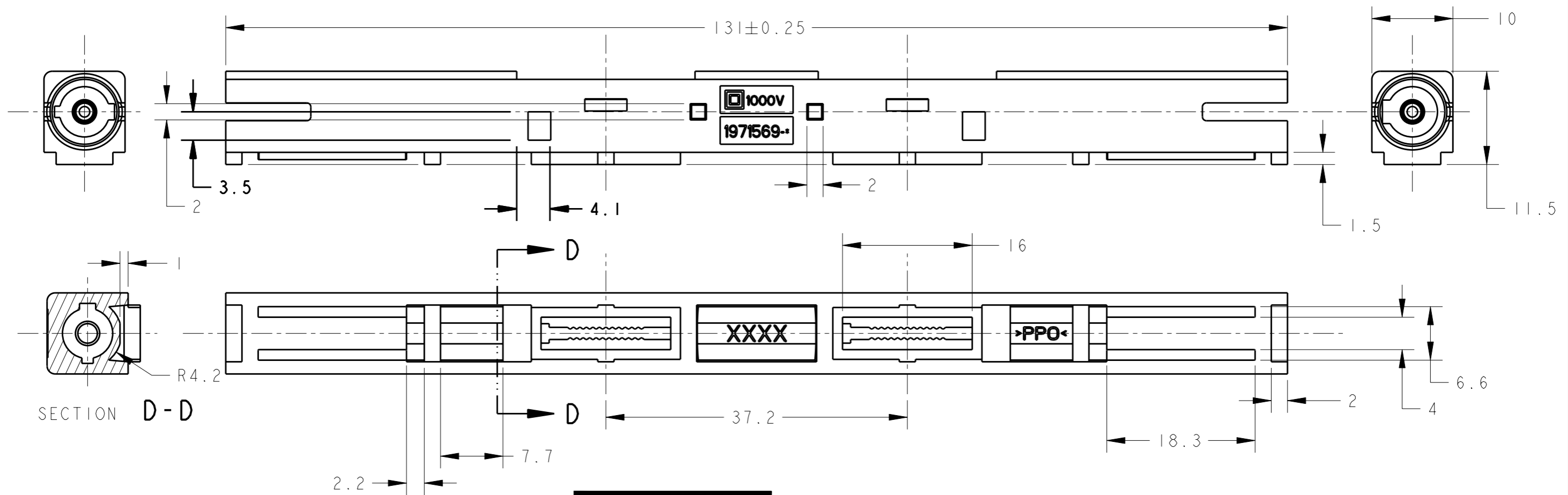
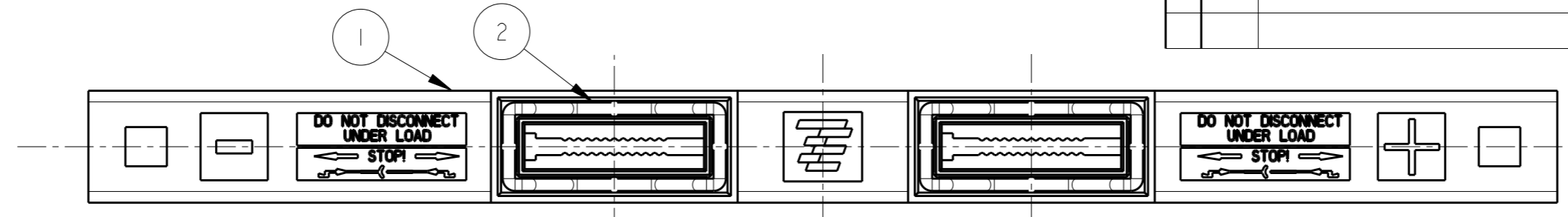


THIS DRAWING IS UNPUBLISHED. RELEASED FOR PUBLICATION 20
 © COPYRIGHT 20 BY TYCO ELECTRONICS CORPORATION. ALL RIGHTS RESERVED.

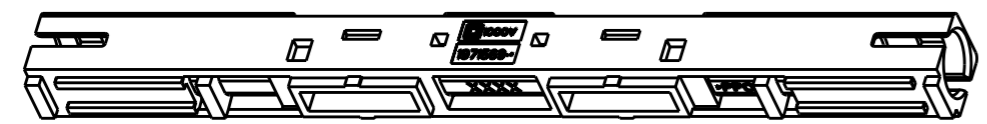
LOC	DIST	REVISIONS			
P	LTR	DESCRIPTION	DATE	DWN	APVD
ES	00	B	ECR-10-014777	20JUL2010	OW JZ



OBSOLETE

QTY	DESCRIPTION	MATERIAL	ITEM No.
2	O RING-COVER	SI RUBBER	2
1	EDGE HSG ASSY	PPO	1

PART LIST



SCALE 1:1

THIS DRAWING IS A CONTROLLED DOCUMENT FOR TYCO ELECTRONICS CORPORATION. IT IS SUBJECT TO CHANGE AND THE CONTROLLING ENGINEERING ORGANIZATION SHOULD BE CONTACTED FOR THE LATEST REVISION.

DIMENSIONS:	TOLERANCES UNLESS OTHERWISE SPECIFIED:
mm	
0 PLC	±0.2
1 PLC	±0.2
2 PLC	±0.2
3 PLC	±0.2
4 PLC	±0.2
ANGLES	±
MATERIAL	FINISH
-	-

DWN	20JUL2010
OLIVER WANG	
CHK	20JUL2010
DAVID HU	
APVD	20JUL2010
JULIAN ZHOU	
PRODUCT SPEC	108-106018
APPLICATION SPEC	114-106001
WEIGHT	
CUSTOMER DRAWING	

Tyco Electronics Shanghai, China	
NAME	
SOLARLOK STRADDLE EDGE CONNETOR	
SIZE	CAGE CODE
A3	00779
DRAWING NO	RESTRICTED TO
C-1971161	
SCALE	SHEET
2:1	1 OF 1
REV	B