

4

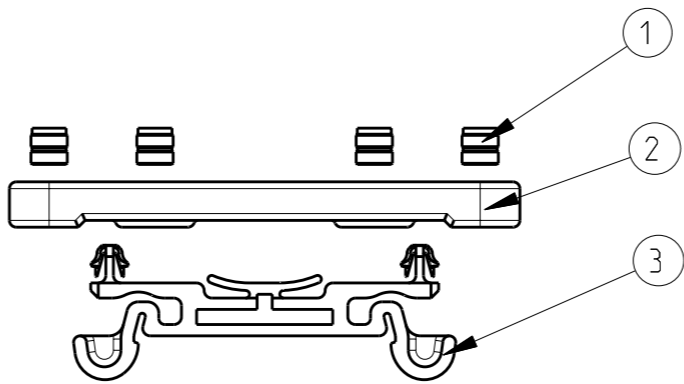
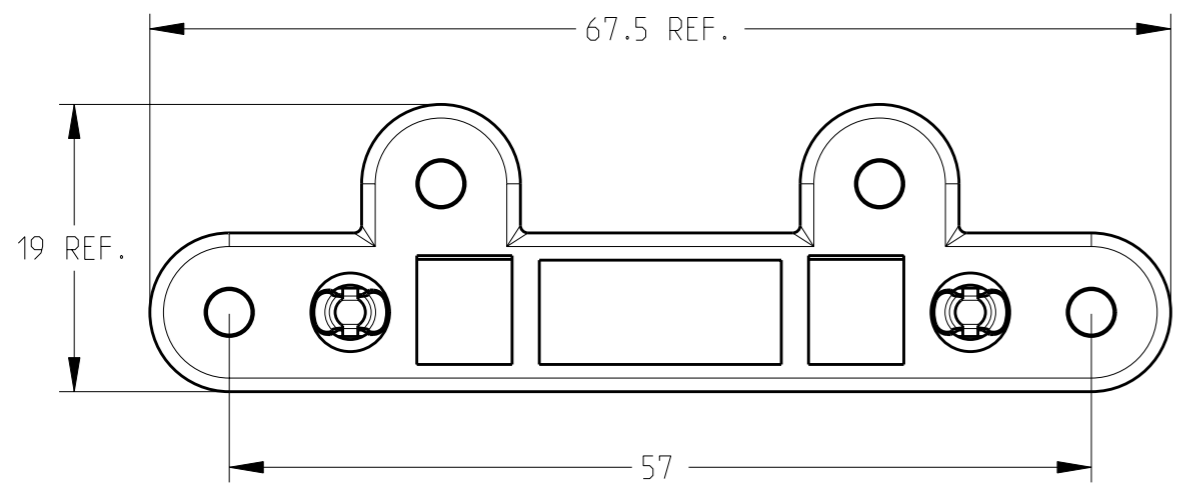
3

2

1

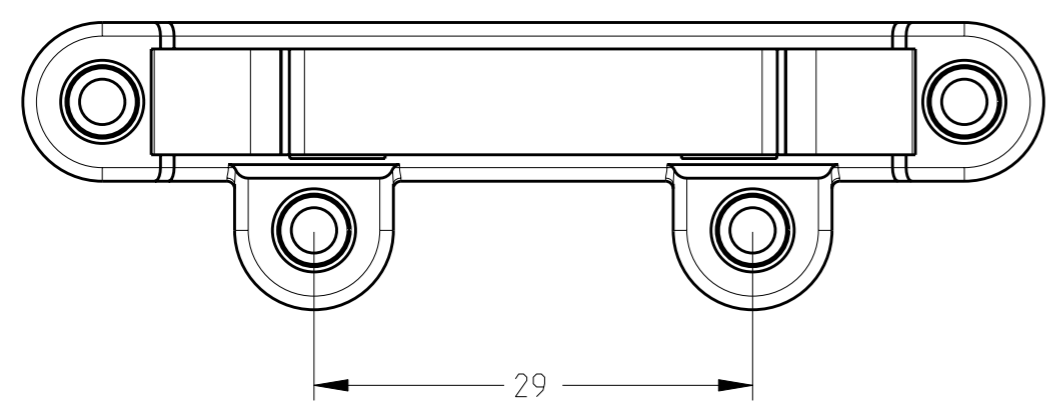
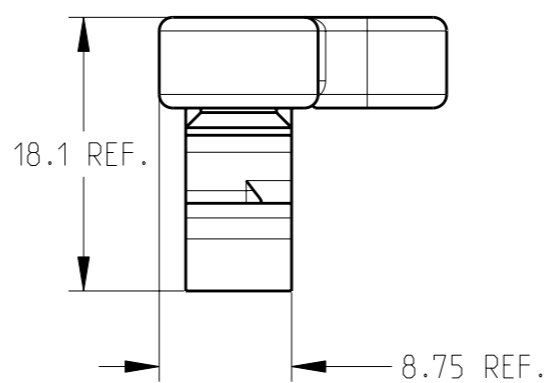
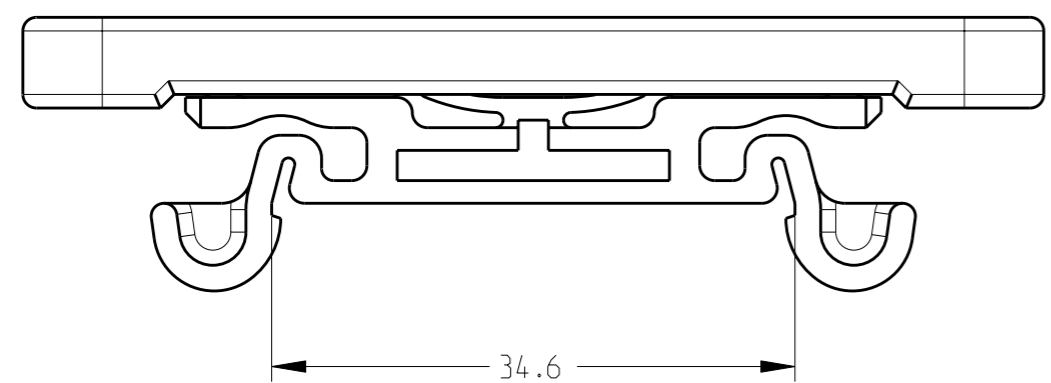
THIS DRAWING IS UNPUBLISHED. RELEASED FOR PUBLICATION 20
© COPYRIGHT 20 BY TYCO ELECTRONICS CORPORATION. ALL RIGHTS RESERVED.

LOC	DIST	REVISIONS			
P	LTR	DESCRIPTION	DATE	DWN	APVD
ES	00	A	INITIAL DRAWING	07APR2009	L.W J.Z



NOTES:
 1. GENERAL TOLERANCE: ±0.4
 2. COMPONENTS TABLE

SCALE 1:1



1971182-1 AS SHOWN

Q'TY	PART DESCRIPTION	MATERIAL	ITEM
1	DIN MOUNTING FOOT	PBT UL94V-0 BLACK	③
1	ATTACHMENT HOUSING	PBT UL94V-0 BLACK	②
4	M3x0.5 BIT INSERT	BRASS	①

<small>THIS DRAWING IS A CONTROLLED DOCUMENT FOR TYCO ELECTRONICS CORPORATION IT IS SUBJECT TO CHANGE AND THE CONTROLLING ENGINEERING ORGANIZATION SHOULD BE CONTACTED FOR THE LATEST REVISION.</small>		DWN LEO WANG 07APR2009 CHK SAM WU 07APR2009 APVD JULIAN ZHOU 07APR2009	Tyco Electronics Shanghai, China
DIMENSIONS: mm	TOLERANCES UNLESS OTHERWISE SPECIFIED: 0 PLC ±- 1 PLC ±0.5 2 PLC ±0.13 3 PLC ±0.013 4 PLC ±0.0001 ANGLES ±-	PRODUCT SPEC - APPLICATION SPEC - WEIGHT -	NAME DIN FOOT ATTACHMENT BASED ON D1500 JUNCTION BOX
MATERIAL -	FINISH -	SIZE A3 CAGE CODE 00779 DRAWING NO ©=1971182	RESTRICTED TO -
CUSTOMER DRAWING		SCALE 2:1	SHEET 1 OF 1 REV A