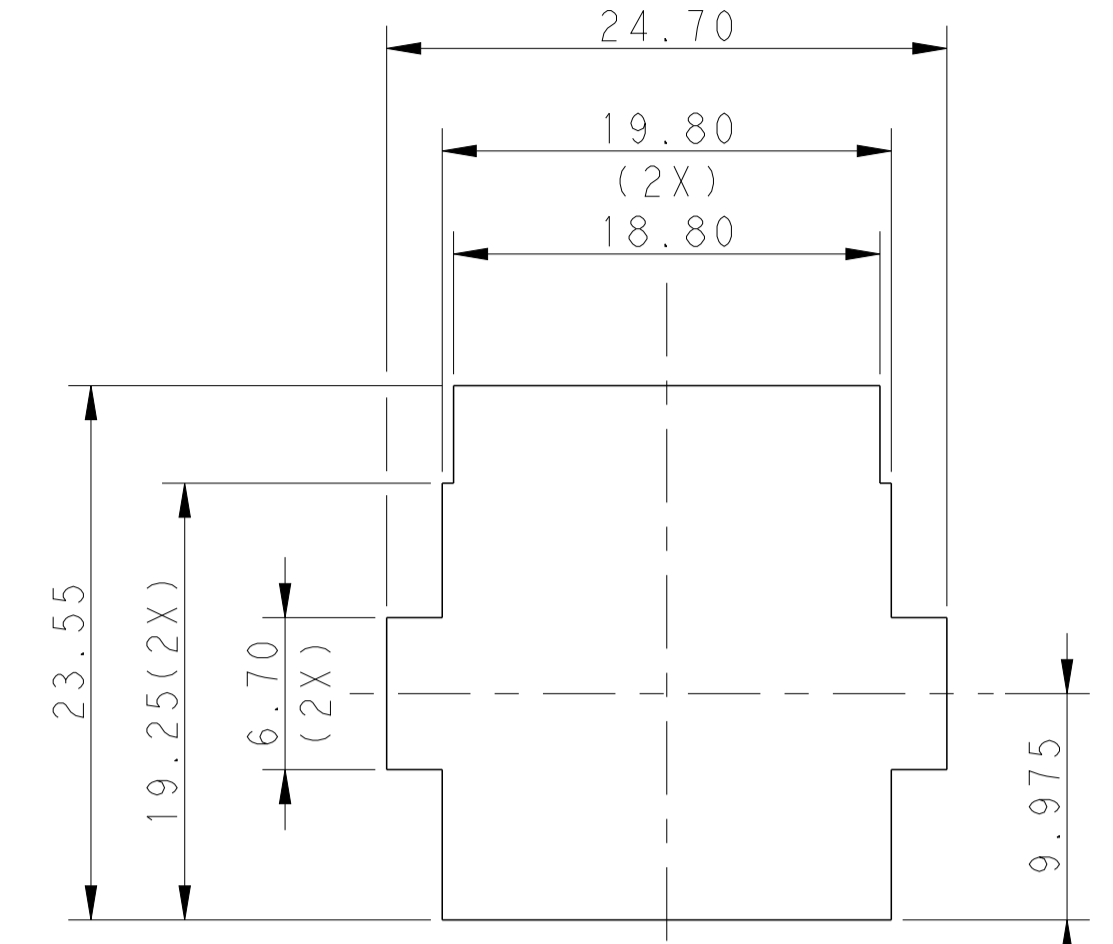
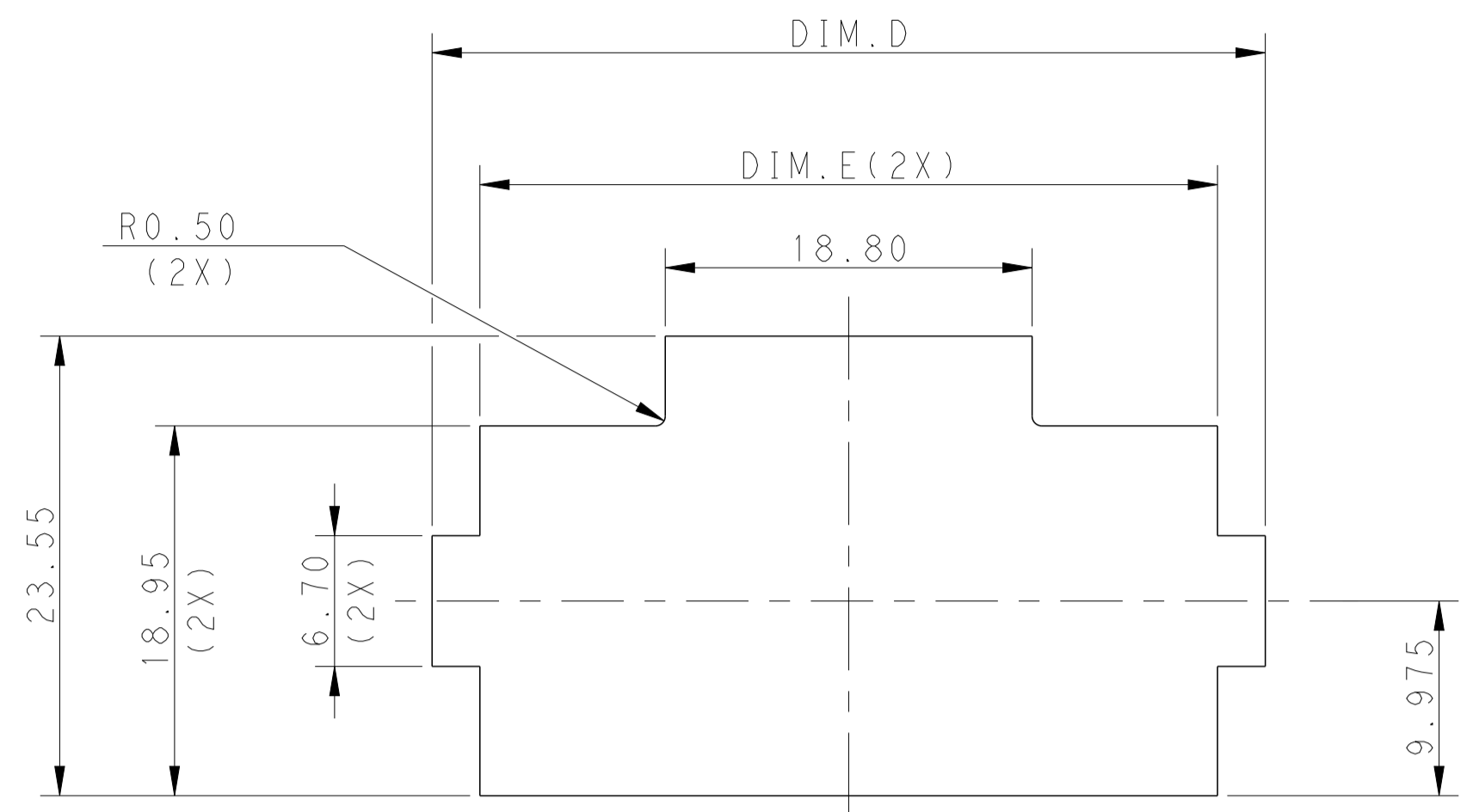
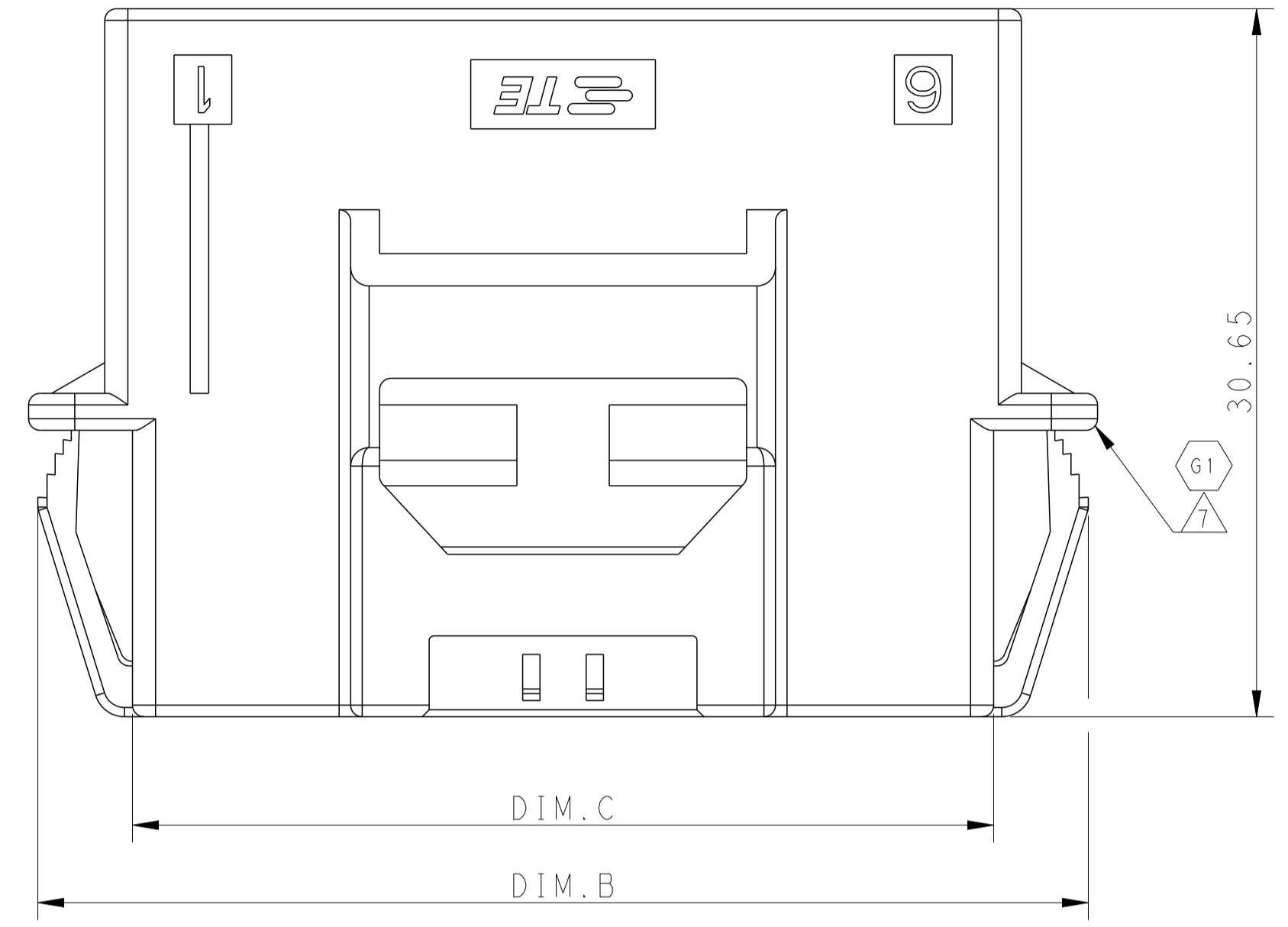
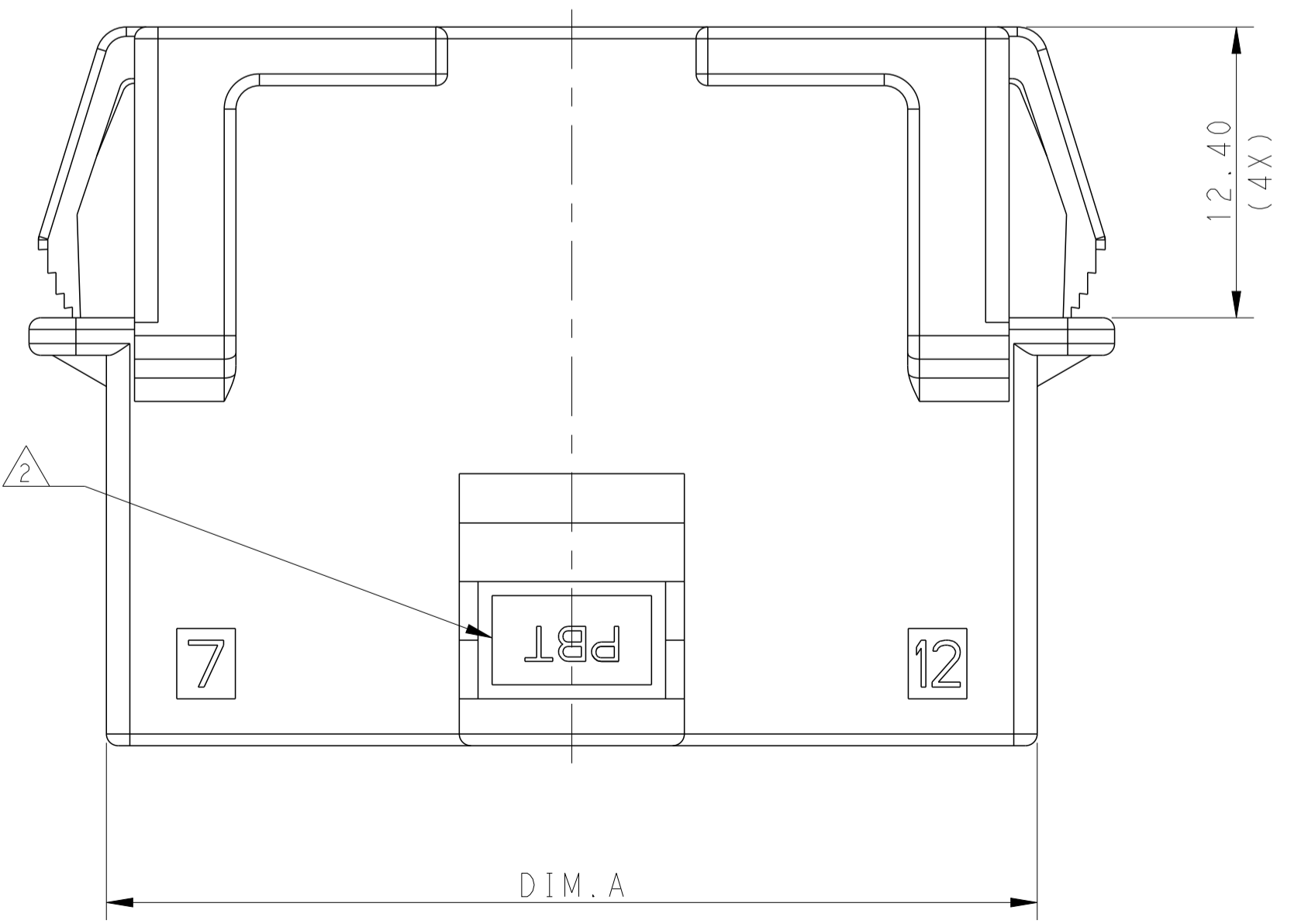
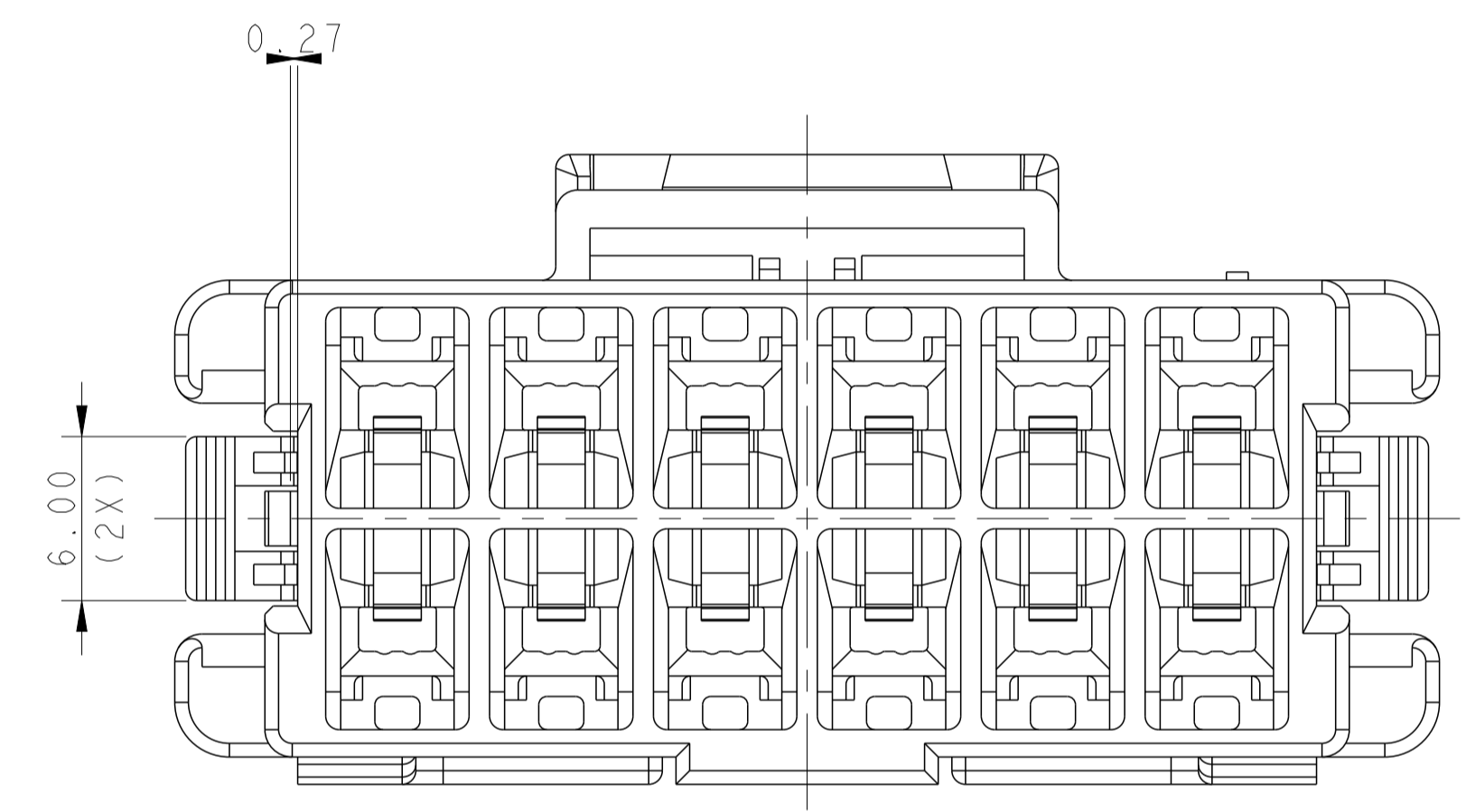
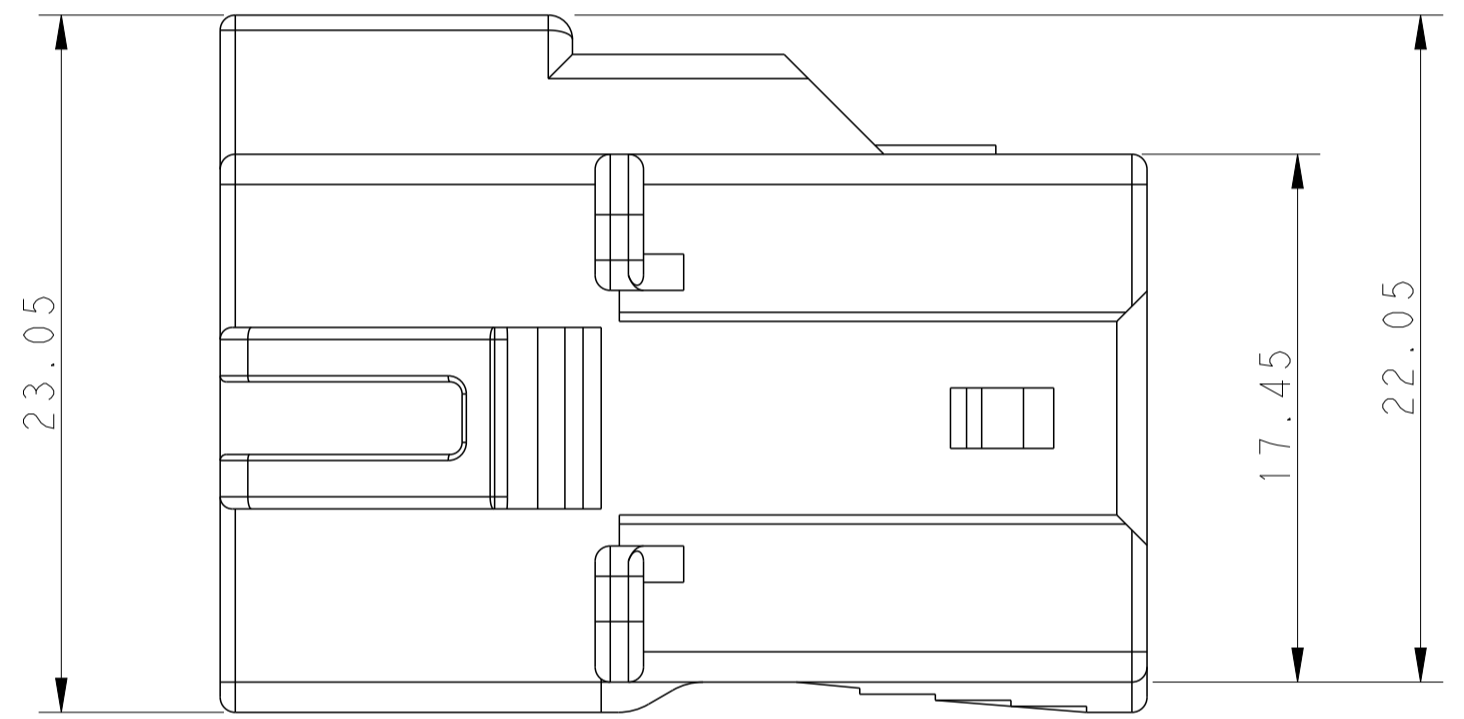
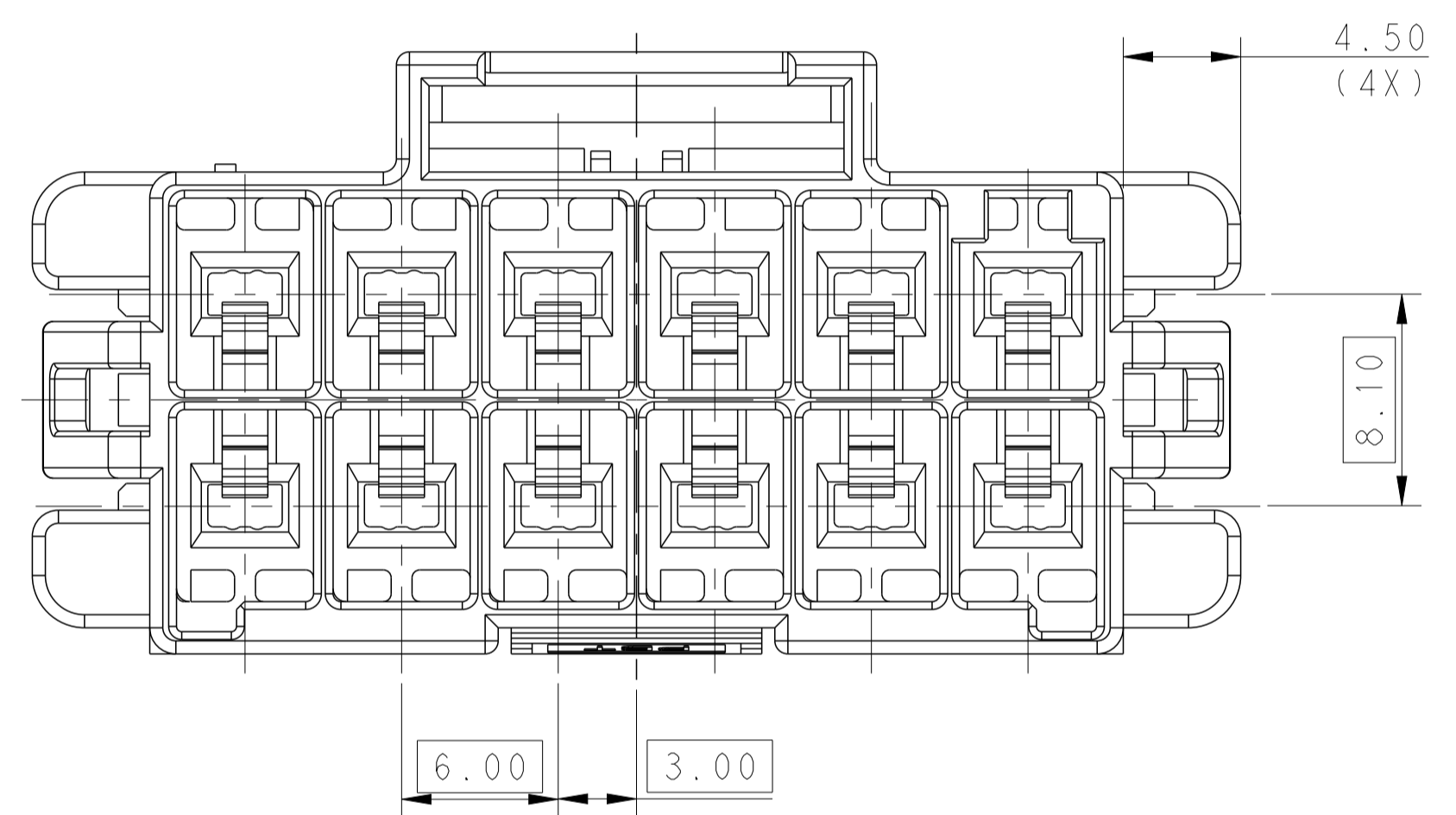


LOC		DIST		REVISIONS				
P	LTN	DESCRIPTION	DATE	DWN	APVD			
E		REVISED PER ECR-21-10067	08APR2021	SS	VS			
F		REVISED PER ECR-20-100915	28APR2021	JP	VS			
G		REVISED PER ECR-22-130081	12OCT2022	SKR	DS			
G1		REVISED PER ECR-22-141839	04NOV2022	RS	DS			



RECOMMENDED PANEL OPENING DIMENSIONS FOR CAP HOUSING 2*6 AND 2*5 AND 2*4 POSITIONS (TOLERANCE: ±0.15mm)

RECOMMENDED PANEL OPENING DIMENSIONS FOR CAP HOUSING 2*3 POSITION (TOLERANCE: ±0.15mm)



△ MATERIAL:
 LEVEL 1: PBT, STANDARD TEMPERATURE 105°C
 KEY A:NATURAL; KEY B:PURPLE; KEY C:BLUE; KEY D:YELLOW
 LEVEL 2: PA66, HIGH TEMPERATURE 150°C
 KEY A:LIGHT GREY; KEY B:RED; KEY C:BLACK; KEY D:NATURAL

△ MATERIAL MARK:
 LEVEL 1:PBT, LEVEL 2:HDT

3. APPLICABLE CONTACT P/N
 TAB CONTACT:1971238/1971780/82/84/86/88-*,2238067-*

4. MATING CONN, P/N
 PLUG HSG: *-1971776-
 TPA(LOCK PLATE): *-1971778-*

5. RECOMMENDED PANEL THICKNESS:1.0-2.0mm

△ GLOW WIRE COMPLIANT IN ACCORDANCE WITH IEC 60335-1. THIS IS BASED ON THE PRODUCT MEETING A GWEPT 850°C TEST AND RESIN GWIT GREATER THAN OR EQUAL TO 775°C.

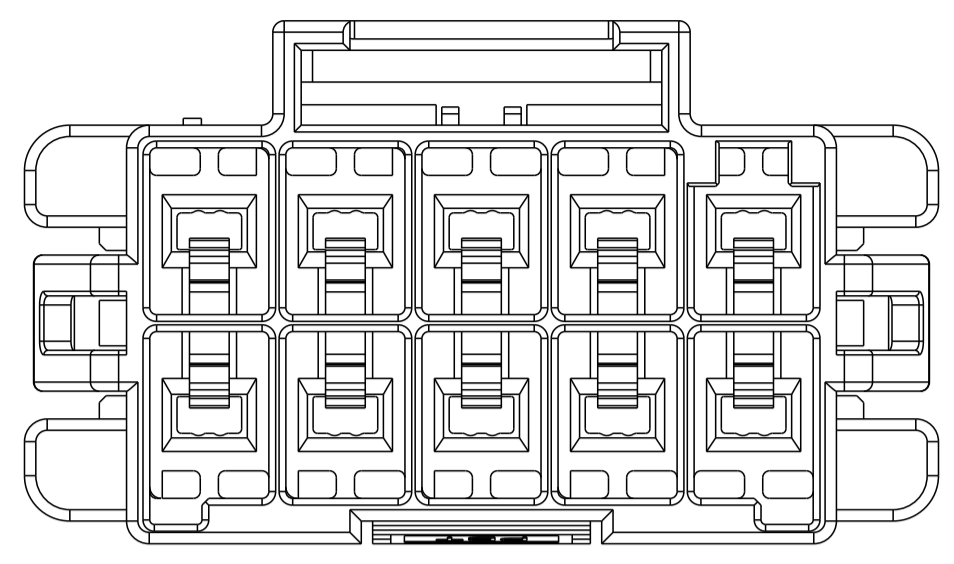
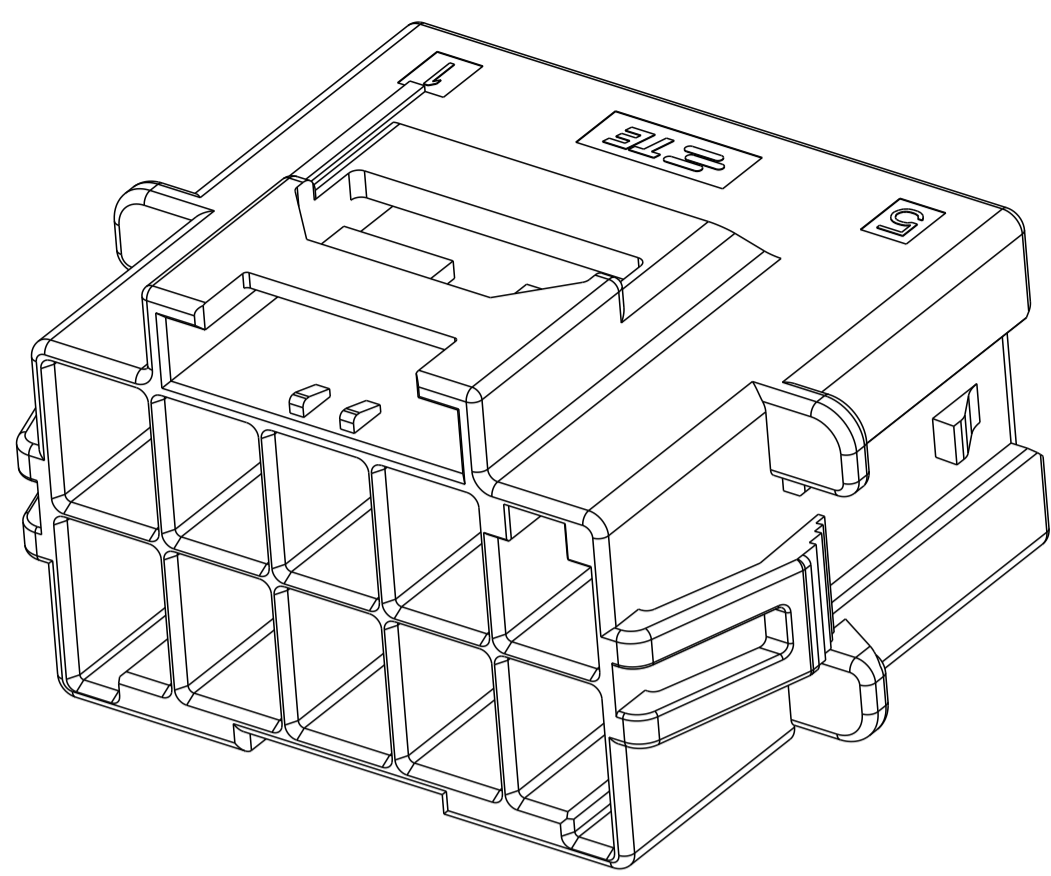
G1 △ RADIUS OPTIONAL, 4PLC

POS	A	B	C	D	E
2*6	39.70	45.5	37.30	42.70	37.80
2*5	33.70	39.5	31.30	36.70	31.80
2*4	27.70	33.5	25.30	30.70	25.80
2*3	21.70	27.5	19.30		

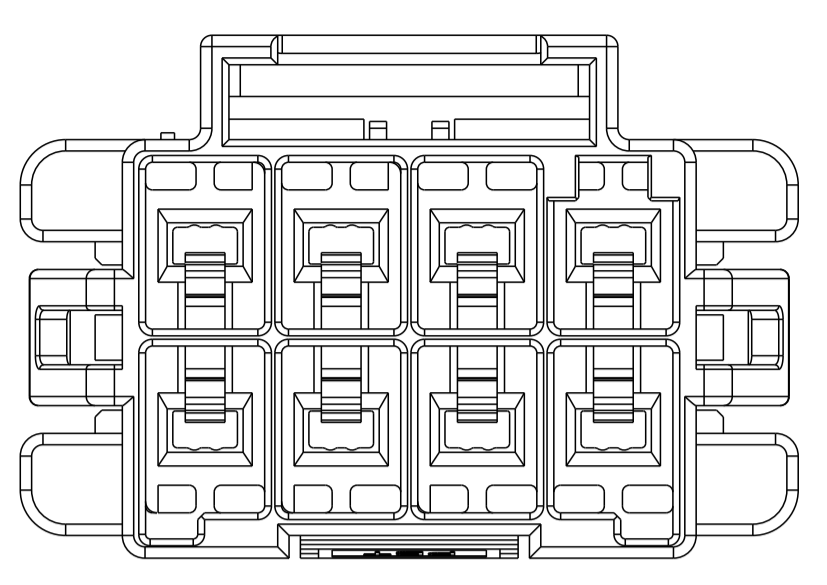
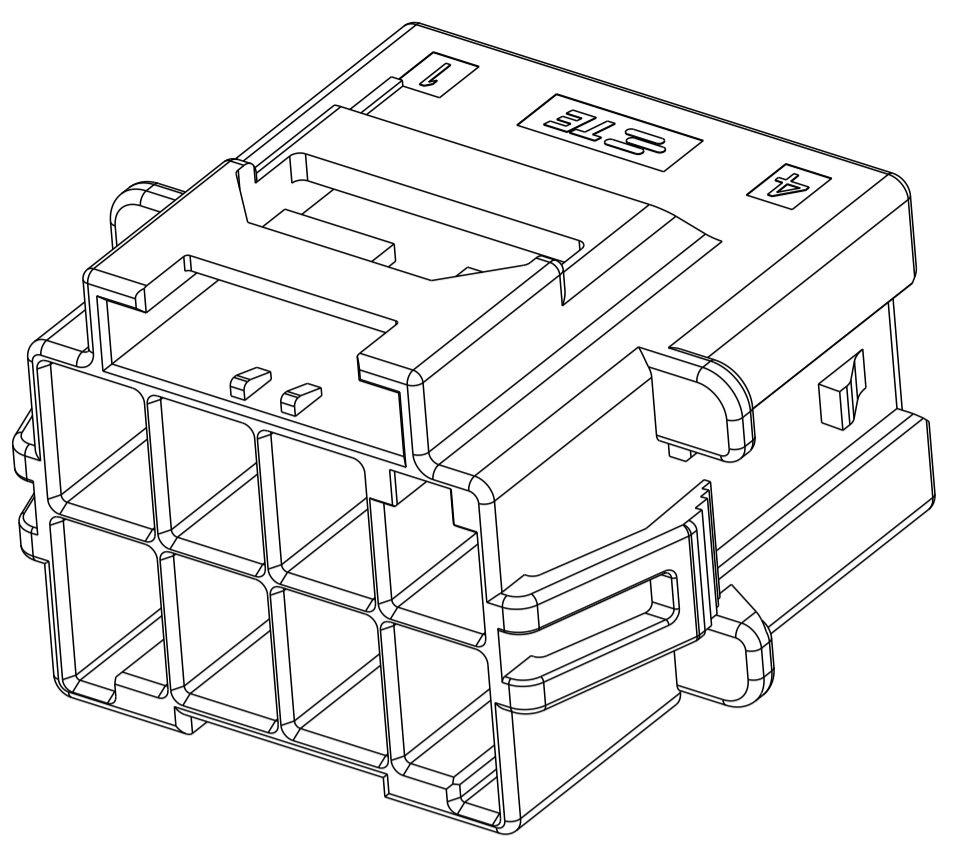
THIS DRAWING IS A CONTROLLED DOCUMENT.

DIMENSIONS:	TOLERANCES UNLESS OTHERWISE SPECIFIED:	DWN TOMMY WU 06JUL2012	TE Connectivity
mm	0 PLC ±0.35 1 PLC ±0.25 2 PLC ±0.25 3 PLC ±0.25 4 PLC ±0.25	CHK HAPYE WU 06JUL2012	
MATERIAL	FINISH	APVD YUHONG MAO 06JUL2012	NAME CAP HOUSING, PANEL MOUNT, DOUBLE ROW POWER TRIPLE LOCK
		PRODUCT SPEC 108-106118	SIZE CAGE CODE DRAWING NO RESTRICTED TO
		APPLICATION SPEC 114-106118	A100779C=1971775
		WEIGHT	SCALE 4:1 SHEET 1 OF 2 REV G1
		Customer Drawing	

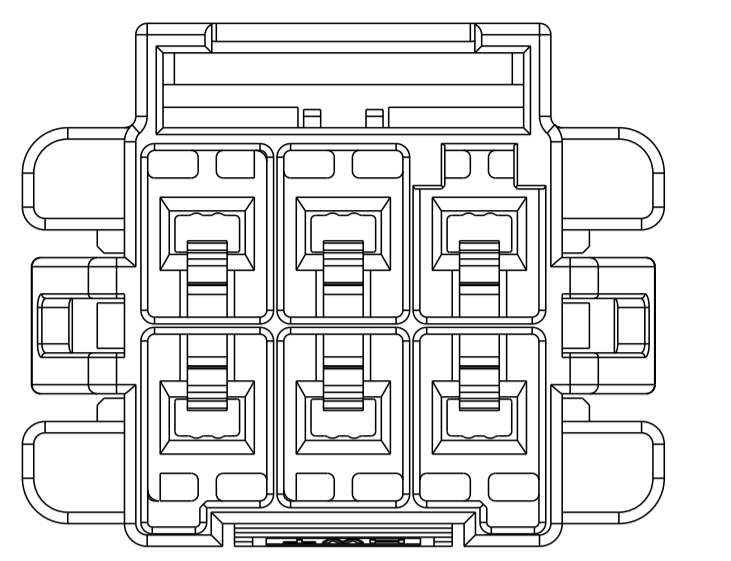
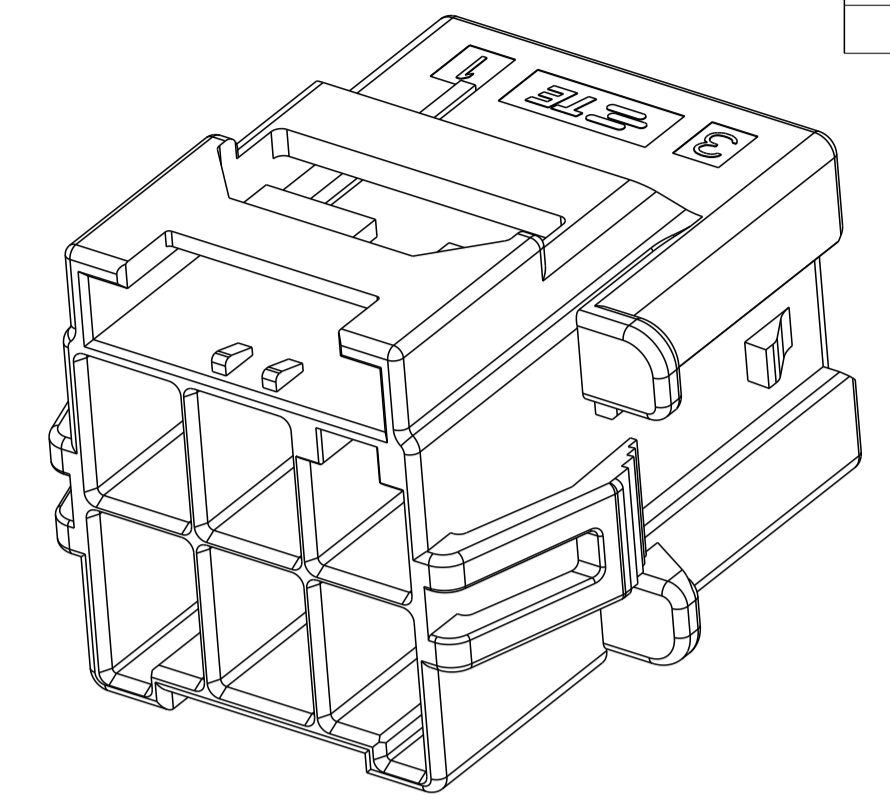
LOC		DIST		REVISIONS			
P	LTN	DESCRIPTION	DATE	OWN	APVD		
-	-	SEE SHEET 1	-	-	-		



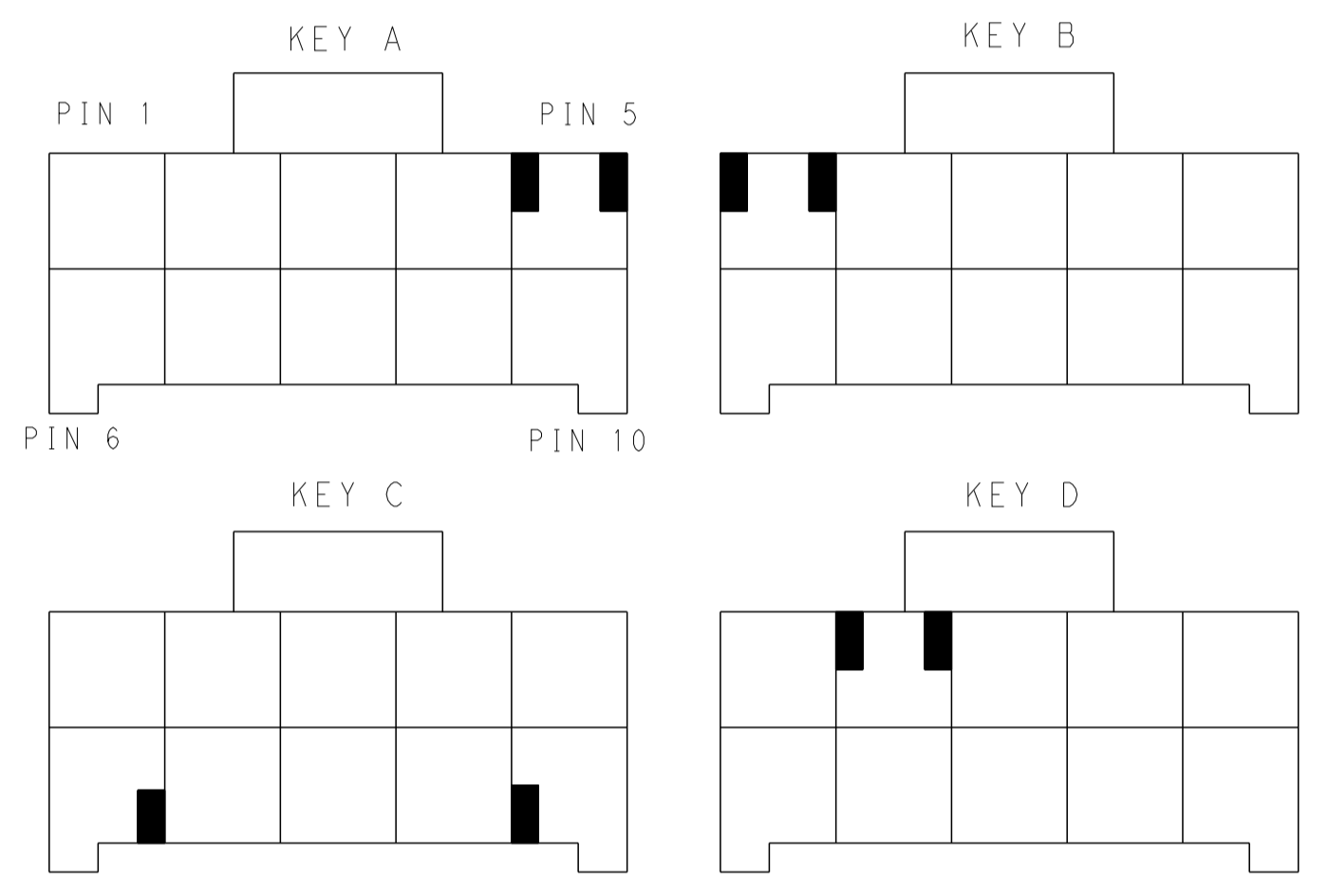
2*5 POSITIONS



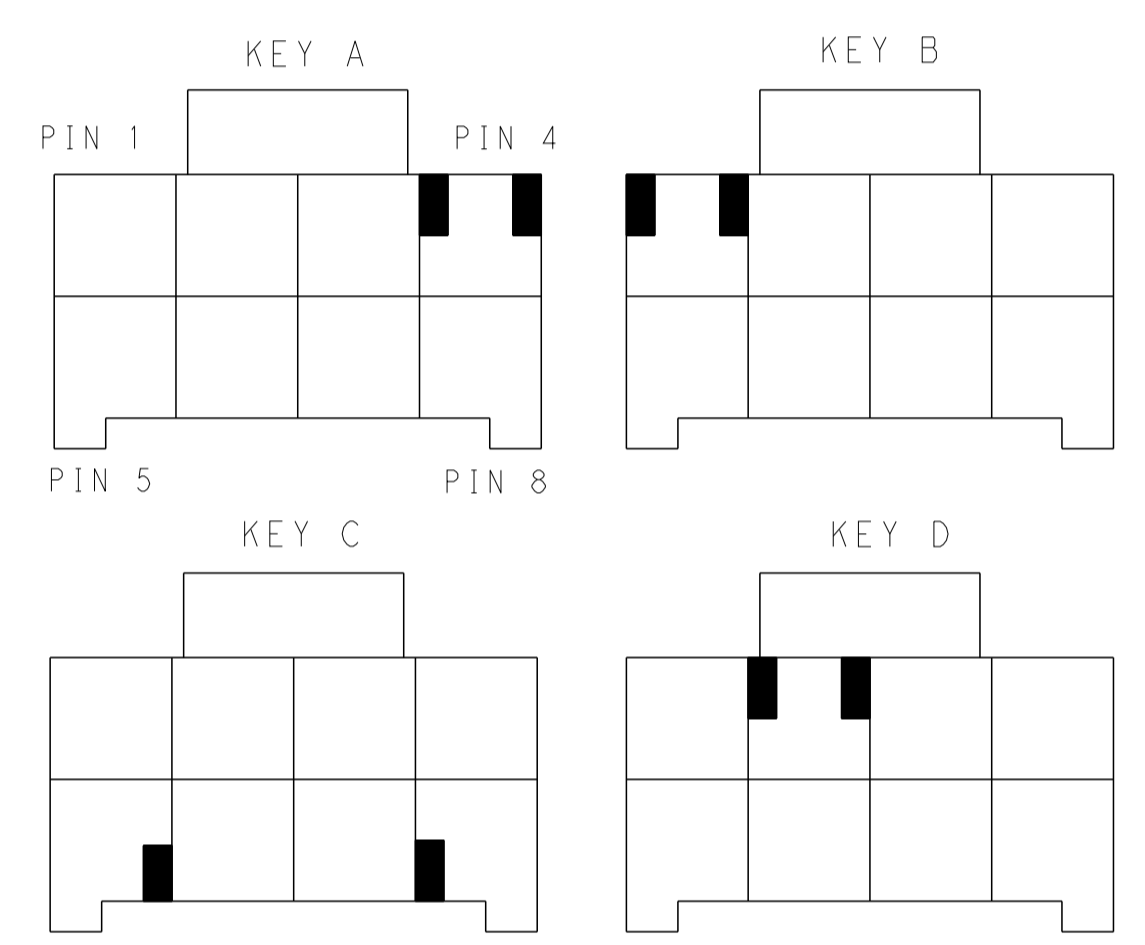
2*4 POSITIONS



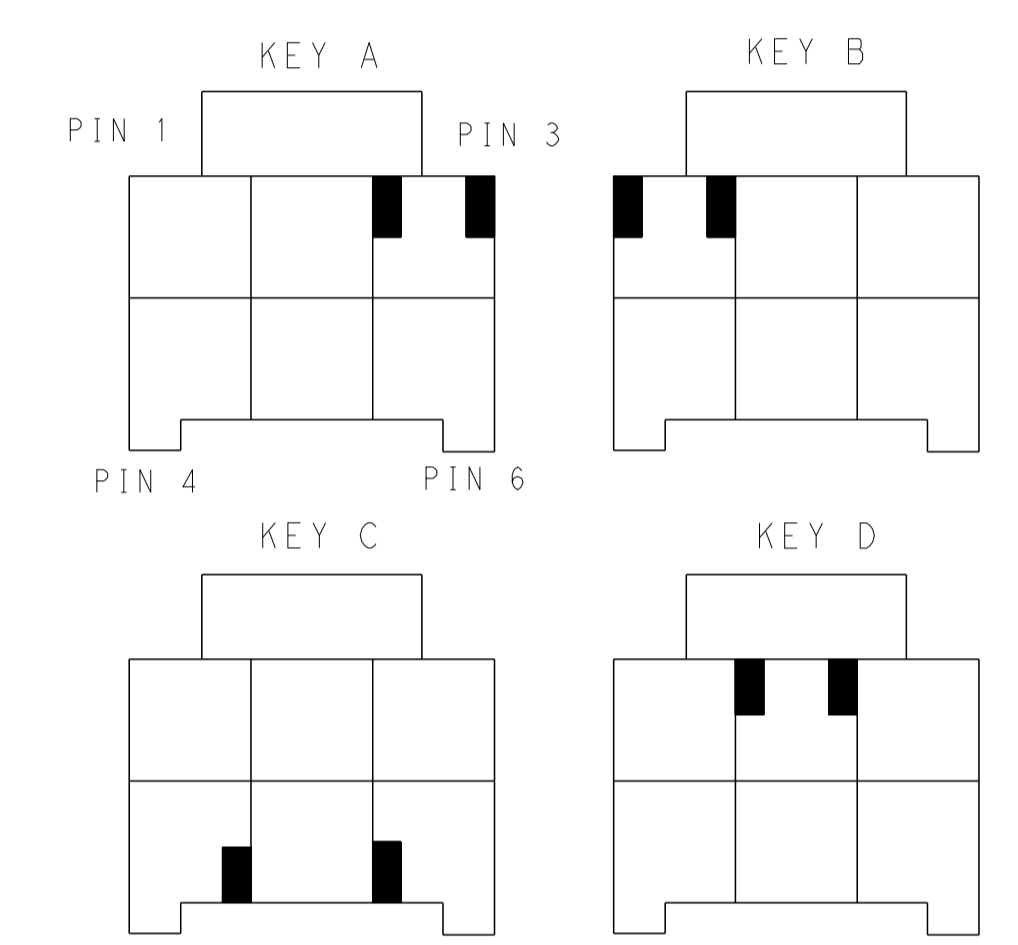
2*3 POSITIONS



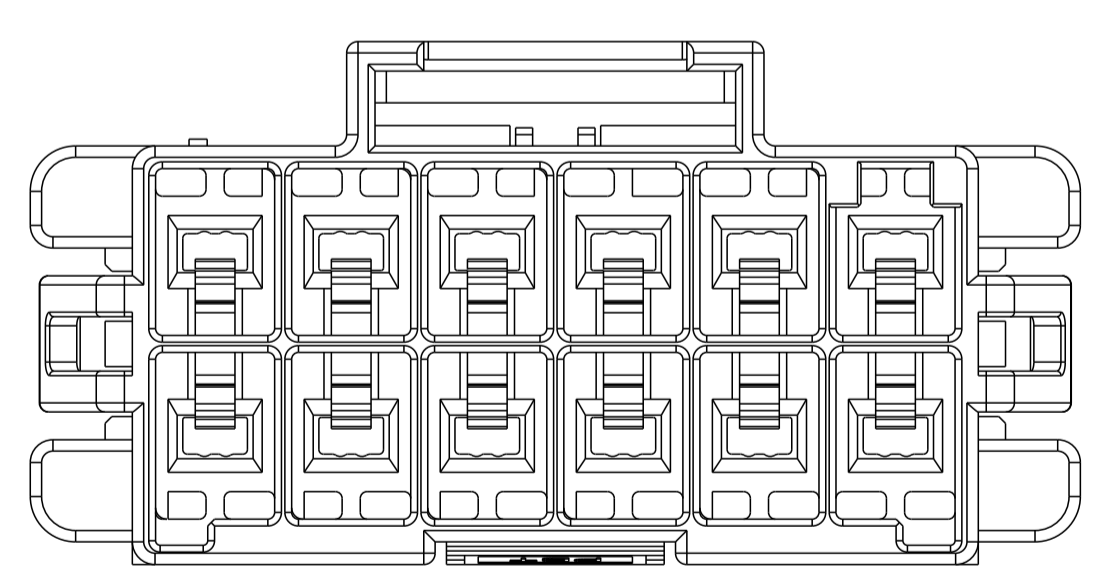
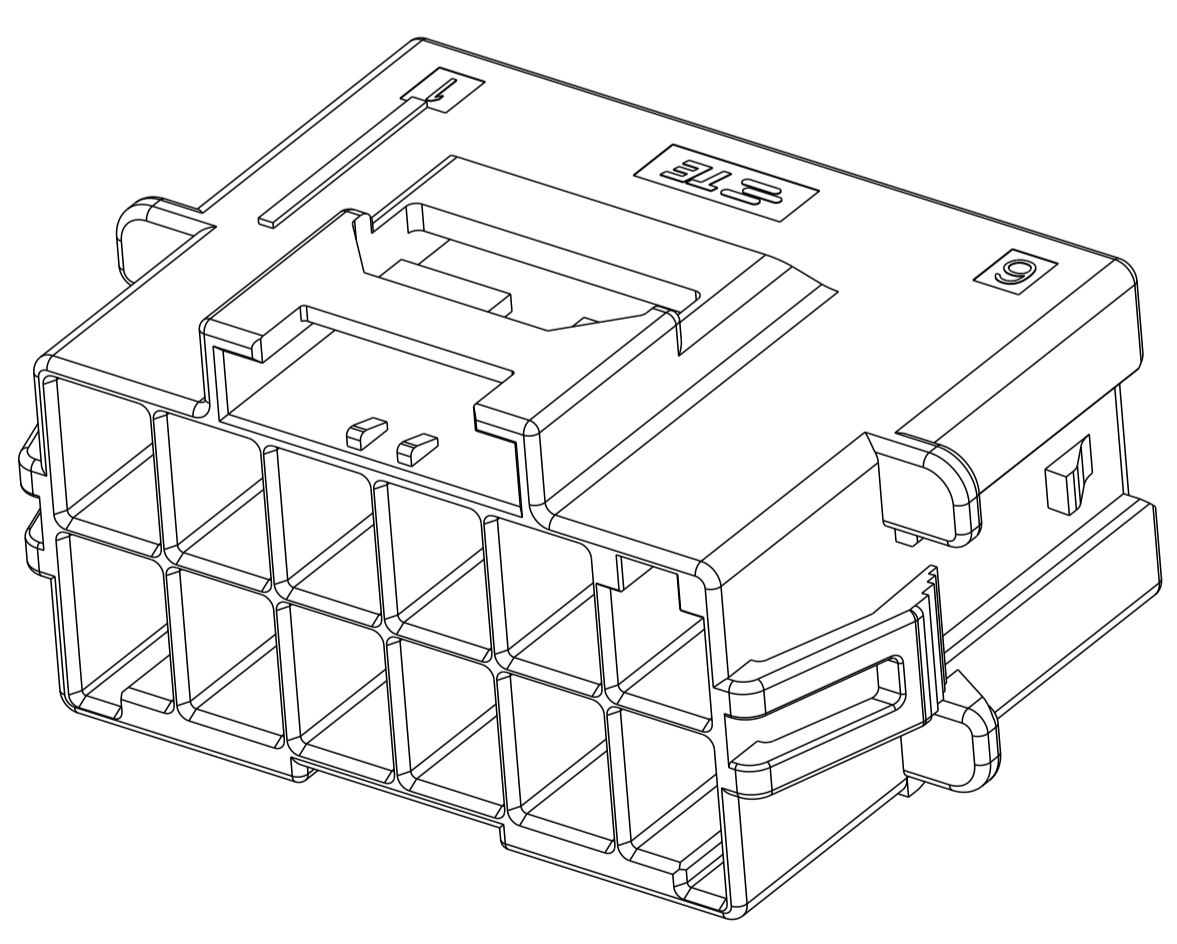
KEYING FOR 2*5 POS.



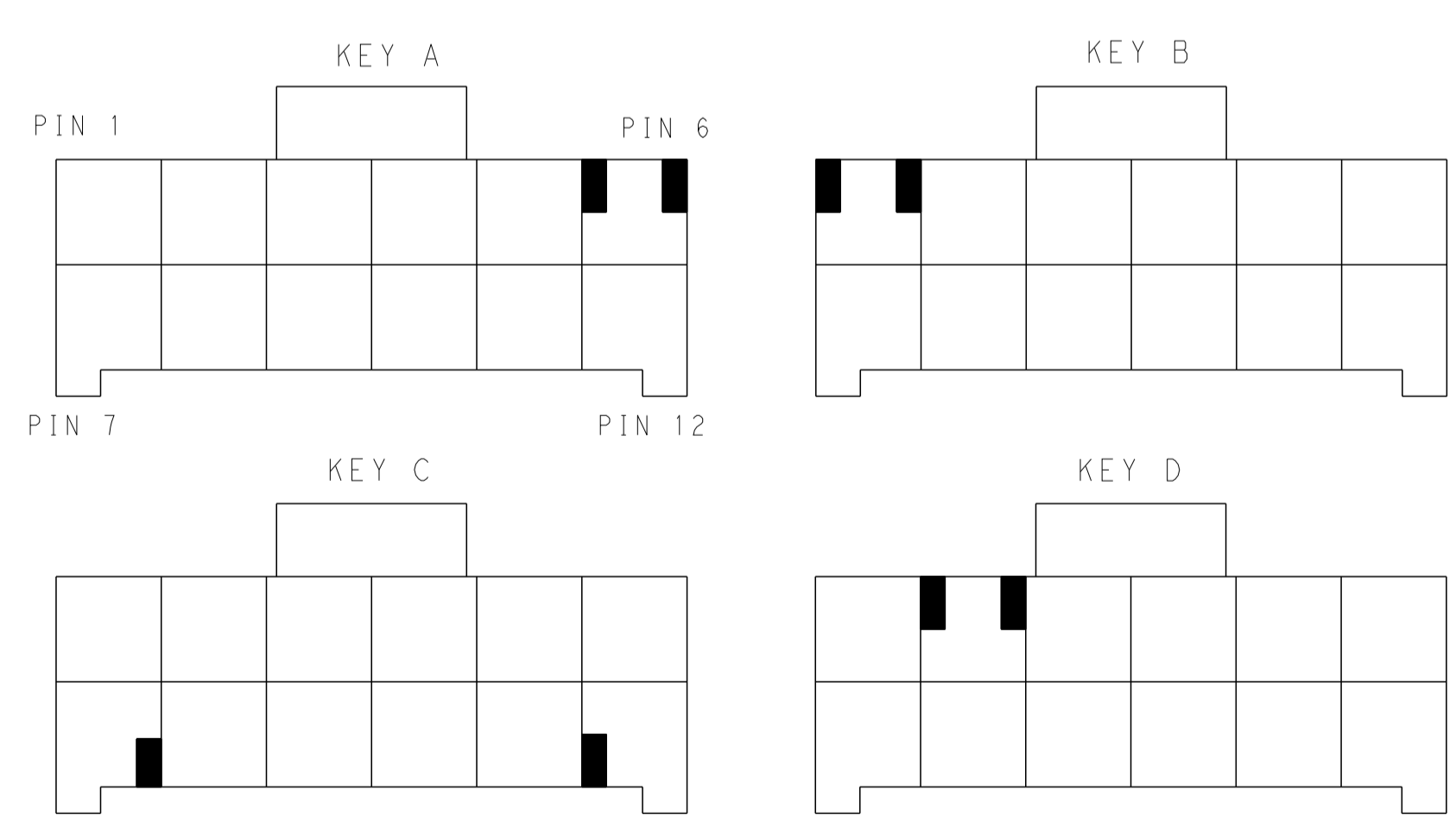
KEYING FOR 2*4 POS.



KEYING FOR 2*3 POS.



2*6 POSITIONS



KEYING FOR 2*6 POS.

POS.	MATERIAL	KEY	P/N
2*6	LEVEL 1	KEY A	1-1971775-6
		KEY B	2-1971775-6
		KEY C	3-1971775-6
		KEY D	4-1971775-6
LEVEL 2	6	KEY A	5-1971775-6
		KEY B	6-1971775-6
		KEY C	7-1971775-6
		KEY D	8-1971775-6
2*5	LEVEL 1	KEY A	1-1971775-5
		KEY B	2-1971775-5
		KEY C	3-1971775-5
		KEY D	4-1971775-5
LEVEL 2	6	KEY A	5-1971775-5
		KEY B	6-1971775-5
		KEY C	7-1971775-5
		KEY D	8-1971775-5

POS.	MATERIAL	KEY	P/N
2*4	LEVEL 1	KEY A	1-1971775-4
		KEY B	2-1971775-4
		KEY C	3-1971775-4
		KEY D	4-1971775-4
LEVEL 2	6	KEY A	5-1971775-4
		KEY B	6-1971775-4
		KEY C	7-1971775-4
		KEY D	8-1971775-4
2*3	LEVEL 1	KEY A	1-1971775-3
		KEY B	2-1971775-3
		KEY C	3-1971775-3
		KEY D	4-1971775-3
LEVEL 2	6	KEY A	5-1971775-3
		KEY B	6-1971775-3
		KEY C	7-1971775-3
		KEY D	8-1971775-3

THIS DRAWING IS A CONTROLLED DOCUMENT.

OWN: TOMMY WU 06JUL2012
 CHK: TOMMY WU 06JUL2012
 HAPYE WU 06JUL2012
 APVD: YUHONG MAO 06JUL2012

TOLERANCES UNLESS OTHERWISE SPECIFIED:
 DIMENSIONS: mm
 0 PLC ±
 1 PLC ±0.35
 2 PLC ±0.25
 3 PLC ±
 4 PLC ±
 ANGLES ±
 FINISH

MATERIAL: 1

Customer Drawing

SCALE: SHEET 2 OF 2 REV G1

STE TE Connectivity

NAME: CAP HOUSING, PANEL MOUNT, DOUBLE ROW POWER TRIPLE LOCK

SIZE: CAGE CODE DRAWING NO: A1 00779 C=1971775