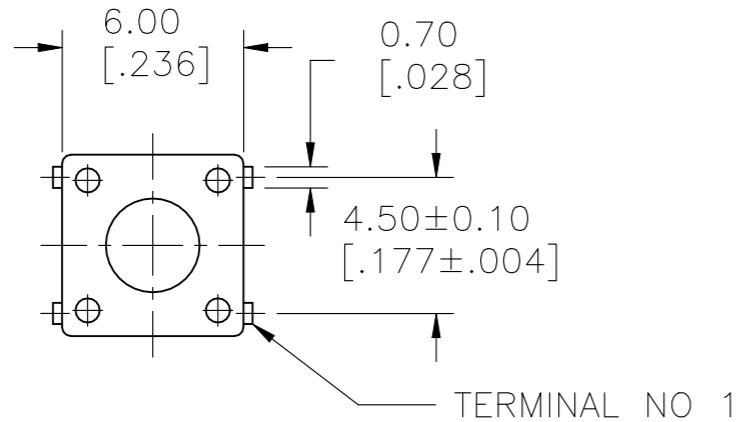
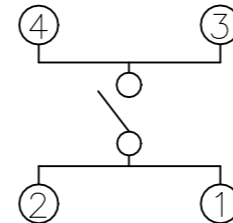


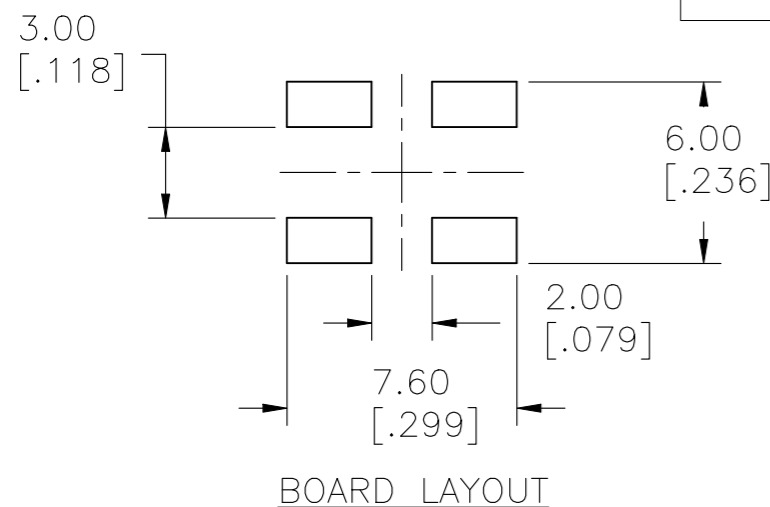
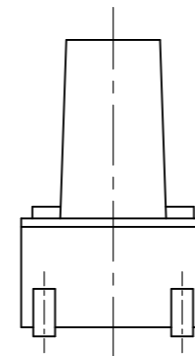
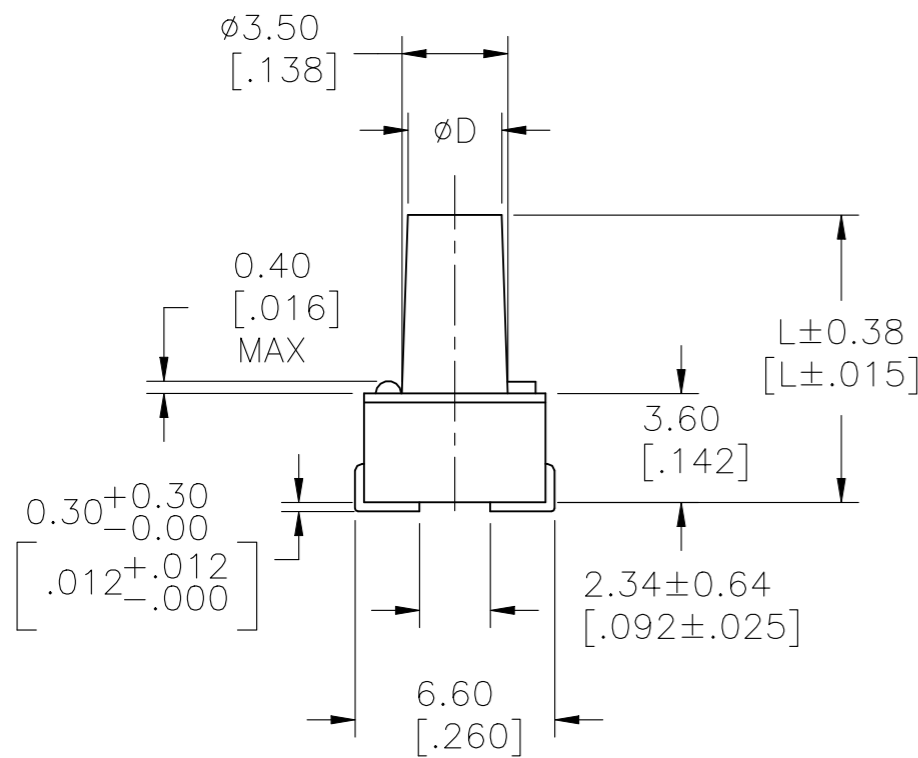
P	LTR	DESCRIPTION	DATE	DWN	APVD
	C1	ECR-24-211668	27JUN2024	LP	MY



CIRCUIT DIAGRAM



- 1 ACTUATOR TRAVEL: $0.25^{+0.2}_{-0.1}$ [$.010^{+.008}_{-.004}$].
- 2 CONTACT RESISTANCE: 100mΩ MAX.
- 3 ELECTRICAL RATING: 12VDC @ 50mA MAX.
- 4 OPERATING TEMP: -20° TO 70°C
45 ~ 85% RH
- 5 STORAGE TEMP: -30°C TO 80°C.
(96 HOURS MAX @ CONTINUOUS TEMP OF
-20°C TO -30°C AND 70°C TO 80°C).
- 6 OPERATING LIFE: 100,000 CYCLES.
- 7 RIGHT AND LEFT VARIATION HAVE TO BE
IN 0.10[.004] AFTER TERMINAL BENDING.

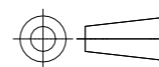


BOARD LAYOUT

OBSOLETE	BULK			160±50gf	BLACK	3.10[.122]	9.50[.375]	1977764-2
	TAPE & REEL	BLACK	LCP	160±50gf	BLACK	3.10[.122]	9.50[.375]	1977764-1
	PACKAGE	CASE COLOR	CASE MATERIAL	O/FORCE	STEM COLOR	D(ø)	L	PART NO

THIS DRAWING IS A CONTROLLED DOCUMENT.

DIMENSIONS:
mm [INCHES]



TOLERANCES UNLESS OTHERWISE SPECIFIED:

0 PLC	± -
1 PLC	± -
2 PLC	± 0.3[.012]
3 PLC	± -
4 PLC	± -
ANGLES	± -
FINISH	± -

MATERIAL

FINISH

DWN RAGHAVENDRA 13DEC10

CHK EPPLEY NAZ 13DEC10

APVD EPPLEY NAZ 13DEC10

PRODUCT SPEC

APPLICATION SPEC

WEIGHT

CUSTOMER DRAWING

SCALE 4:1

SHEET 1 OF 2

REV C1

NAME

SIZE

CAGE CODE

DRAWING NO

RESTRICTED TO

A3

00779

C-1977764

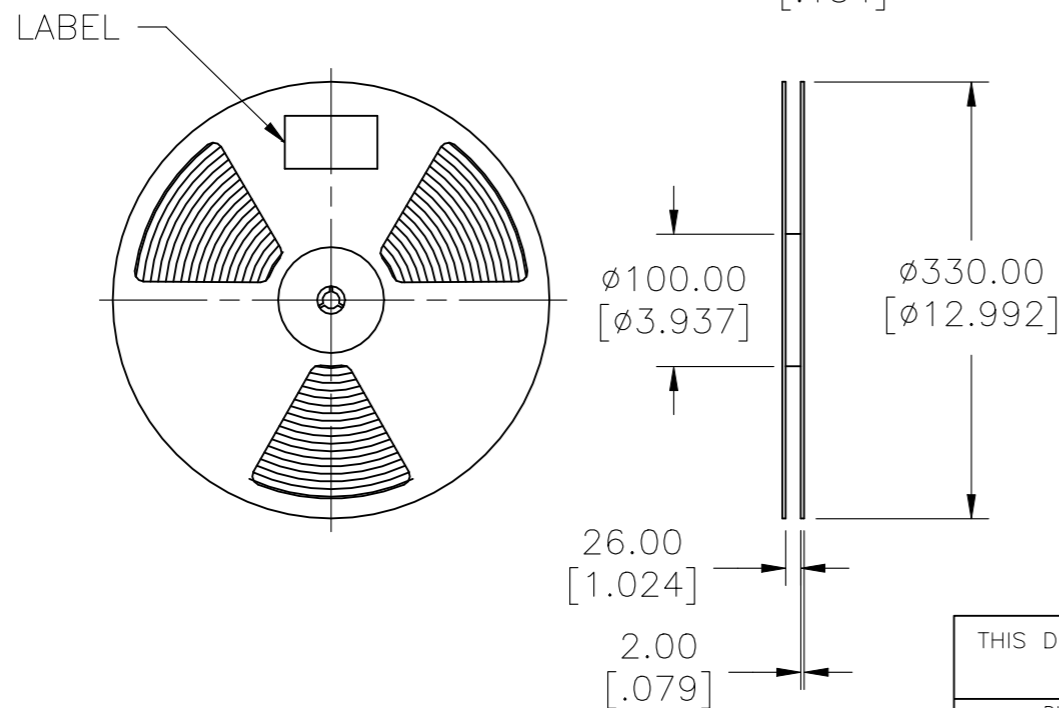
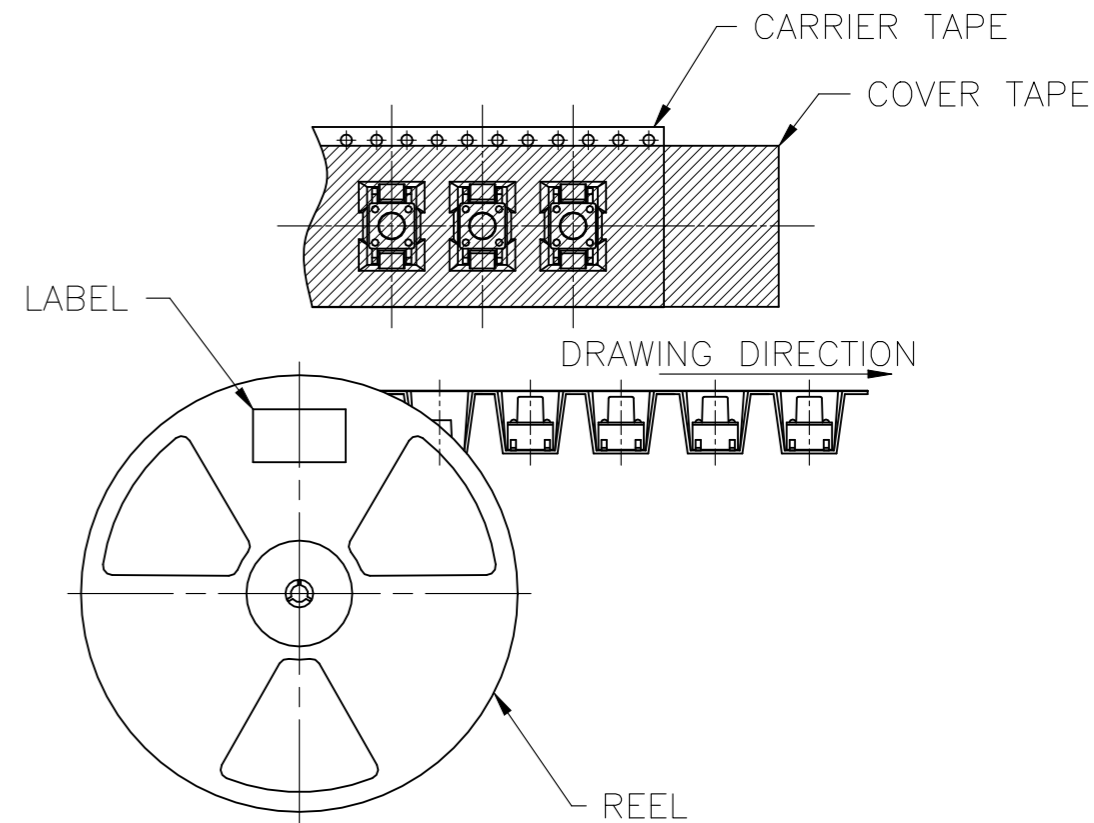
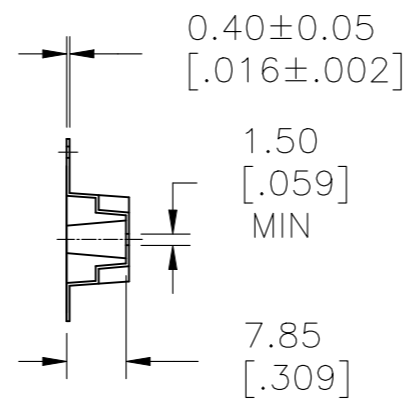
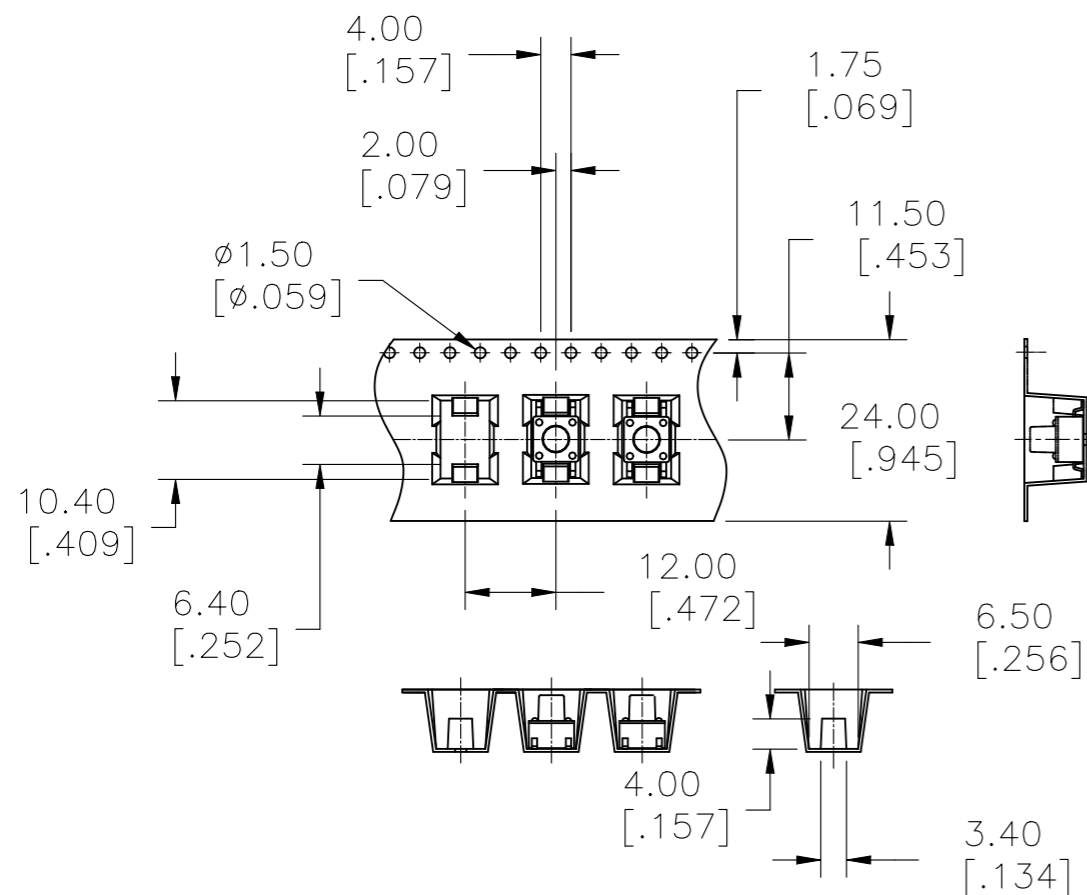
TE Connectivity


TACT SWITCH, J-LEADS



TACT SWITCH, J-LEADS

REVISIONS					
P	LTR	DESCRIPTION	DATE	DWN	APVD
-	-	SEE SHEET 1	-	-	-



THIS DRAWING IS A CONTROLLED DOCUMENT.		DWN RAGHAVENDRA 13DEC10	 TE Connectivity			
DIMENSIONS: mm [INCHES]		CHK EPPLEY NAZ 13DEC10				NAME
TOLERANCES UNLESS OTHERWISE SPECIFIED: 0 PLC ± - 1 PLC ± - 2 PLC ± 0.3[.012] 3 PLC ± - 4 PLC ± - ANGLES ± -		APVD EPPLEY NAZ 13DEC10	TACT SWITCH, J-LEADS			
MATERIAL -		PRODUCT SPEC -	SIZE A3	CAGE CODE 00779	DRAWING NO C-1977764	RESTRICTED TO -
FINISH -		APPLICATION SPEC -	CUSTOMER DRAWING		SCALE 4:1	SHEET 2 OF 2
		WEIGHT -			REV C1	