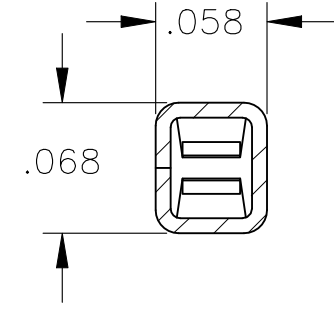
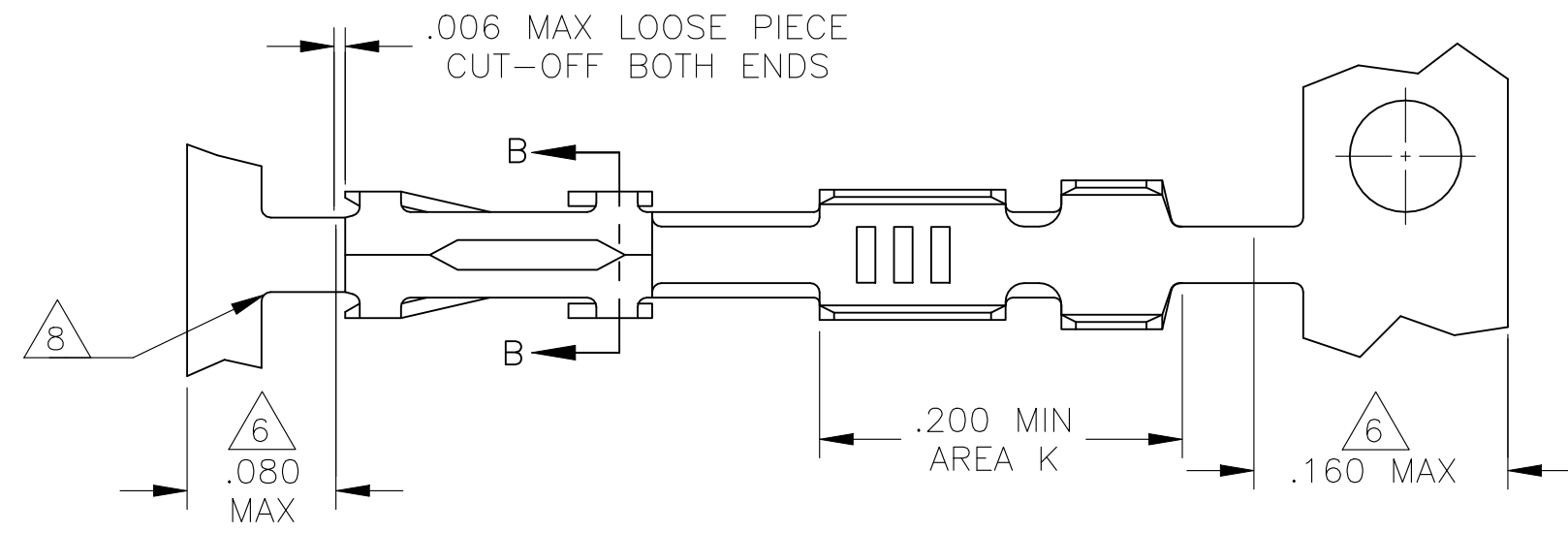
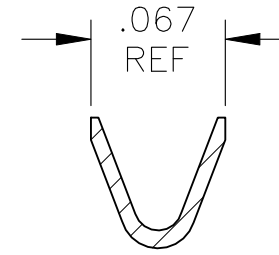
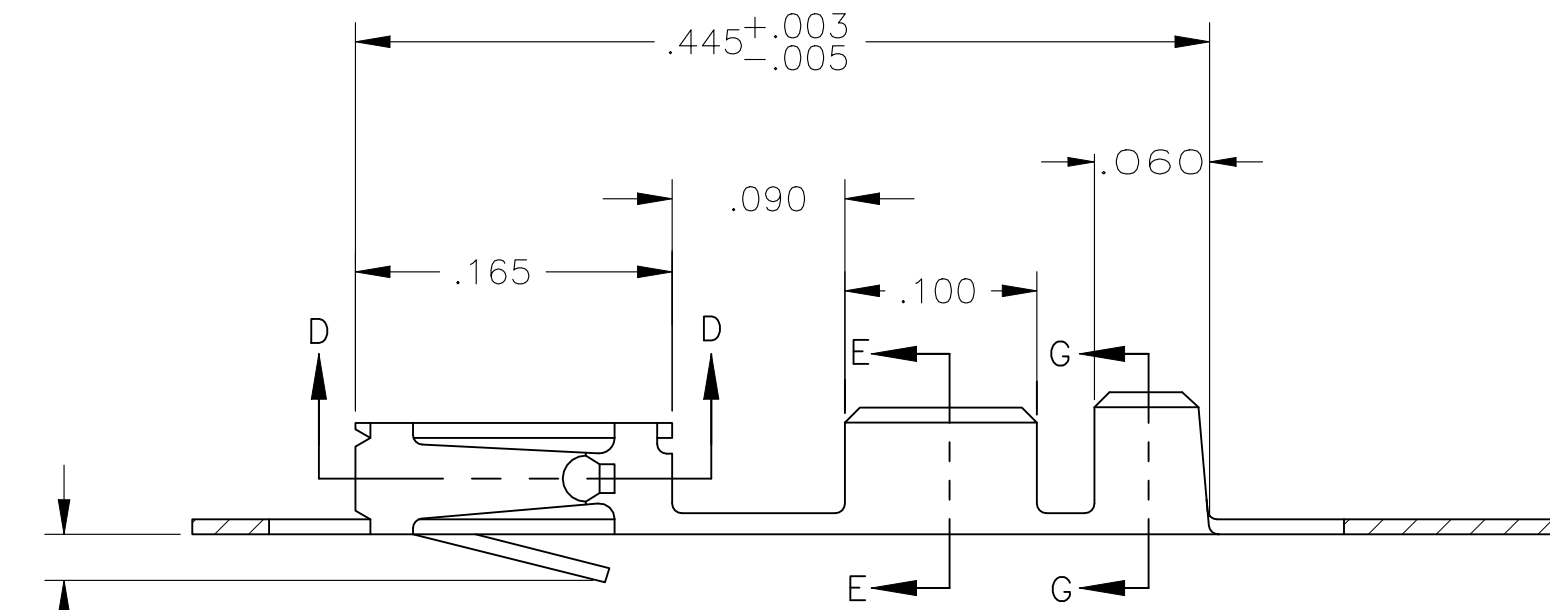


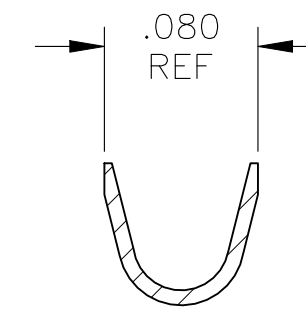
REVISIONS					
P	LTR	DESCRIPTION	DATE	DWN	APVD
A1		ECO-20-012134	28NOV2020	RK	JO



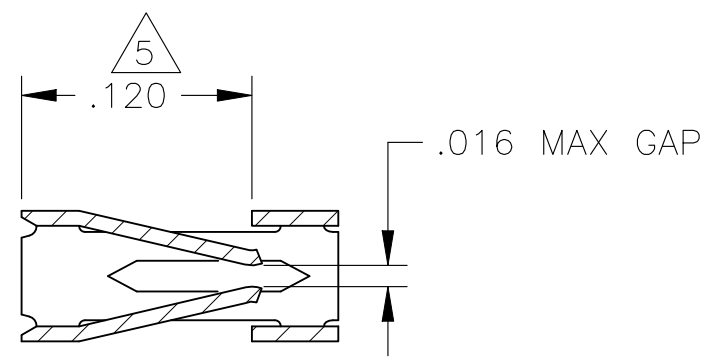
SECTION B-B



WIRE SIZE #22-#26  
SECTION E-E



INSULATION RANGE .061 MAX  
SECTION G-G



SECTION D-D

- 1 REELED FOR MINI-APPLICATOR.
- 2 .000003-.000005 GOLD OVER .0000027 PALLADIUM NICKEL IN CONTACT AREA, BRIGHT TIN-LEAD IN AREA K, ALL OVER .000050 NICKEL.
- 3 .000003-.000005 GOLD OVER .0000027 PALLADIUM NICKEL IN CONTACT AREA, GOLD FLASH OVER ENTIRE RECEPTACLE, ALL OVER .000050 NICKEL.
- 4 .000003-.000005 GOLD OVER .0000027 PALLADIUM NICKEL IN CONTACT AREA, MATTE TIN IN AREA K, ALL OVER .000050 NICKEL.
- 5 POINT OF MEASUREMENT FOR PLATING THICKNESS (INSIDE BEAMS).
- 6 GOLD PLATING NOT REQUIRED IN THIS AREA.
- 7 SHEARED EDGES PERMITTED TO BE UNPLATED.
- 8 CUT OUTS ON BOX AT MANUFACTURER'S OPTION.
- 9 PRELIMINARY PART - NOT RELEASED FOR PRODUCTION.
- 10 OBSOLETE

LOOSE PIECE	4 REF	9	1977967-7
REELED	4	10	1977967-6
LOOSE PIECE	2 REF	9	1977967-5
REELED	2	10	1977967-4
LOOSE PIECE	3 REF	9	1977967-3
REELED	3	9	1977967-2
DESCRIPTION	FINISH	PART NUMBER	

THIS DRAWING IS A CONTROLLED DOCUMENT.		DWN 07MAY2014 NAGALAKSHMI K		
DIMENSIONS: INCHES		CHK 07MAY2014 OLSON, JOSEPH		
TOLERANCES UNLESS OTHERWISE SPECIFIED:		APVD 07MAY2014 OLSON, JOSEPH	NAME	
0 PLC ± -		PRODUCT SPEC	CONTACT, FEMALE, MOD IV, CRIMP SNAP-IN PALLADIUM NICKEL PLATED	
1 PLC ± -		APPLICATION SPEC	SIZE	CAGE CODE
2 PLC ± -		WEIGHT	A2	00779
3 PLC ± .005		CUSTOMER DRAWING	DRAWING NO C=1977967	
4 PLC ± -		SCALE	10:1	SHEET
4 ANGLES ± -		RESTRICTED TO	1 OF 1	
MATERIAL .008 THK CU-SN-P ALLOY 521		FINISH SEE TABLE	REV	A1