

THIS DRAWING IS UNPUBLISHED. RELEASED FOR PUBLICATION
 © COPYRIGHT BY TYCO ELECTRONICS CORPORATION. ALL RIGHTS RESERVED.

LOC	DIST	REVISIONS			
P	LTR	DESCRIPTION	DATE	DWN	APVD
GP	00	N	REVISE PER ECO-09-023814	23OCT2009	D.L J.R

P/N CROSS TABLE CHART

IBM P/N	TE P/N	IBM EC	Connector Flag Label Color
45D1679	1979673-1	G36649	RED W/STRIPE
45D1680	1979673-2	G36649	RED
45D1681	1979673-3	G36649	RED W/STRIPE
45D1682	1979673-4	G36649	RED
45D1683	1979673-5	G36649	RED W/STRIPE
45D1684	1979673-6	G36649	RED
45D1685	1979673-7	G36649	RED W/STRIPE
45D1686	1979673-8	G36649	RED
45D2380	1979673-9	G36845	RED W/STRIPE
45D2381	1-1979673-0	G36845	RED
45D2382	1-1979673-1	G36845	RED W/STRIPE
45D2383	1-1979673-2	G36845	RED
45D2384	1-1979673-3	G36845	RED W/STRIPE
45D2385	1-1979673-4	G36845	RED
45D2386	1-1979673-5	G36845	RED W/STRIPE
45D2387	1-1979673-6	G36845	RED
45D2388	1-1979673-7	G36845	RED W/STRIPE
45D2389	1-1979673-8	G36845	RED
45D2390	1-1979673-9	G36845	RED W/STRIPE
45D2391	2-1979673-0	G36845	RED
45D2392	2-1979673-1	G36845	RED W/STRIPE
45D2393	2-1979673-2	G36845	RED
45D2394	2-1979673-3	G36845	RED W/STRIPE
45D2395	2-1979673-4	G36845	RED
15R6819	2-1979673-5	G40220	RED W/STRIPE
15R6820	2-1979673-6	G40220	RED
15R6821	2-1979673-7	G40220	RED W/STRIPE
15R6822	2-1979673-8	G40220	RED
15R6823	2-1979673-9	G40220	RED W/STRIPE
45D2172	3-1979673-0	G36745	RED
15R6825	3-1979673-1	G40220	RED W/STRIPE
45D2173	3-1979673-2	G36745	RED
15R6827	3-1979673-3	G36745	RED W/STRIPE
15R6828	3-1979673-4	G40220	RED
15R6829	3-1979673-5	G36745	RED W/STRIPE
15R6830	3-1979673-6	G40220	RED
15R6831	3-1979673-7	G36745	RED W/STRIPE
15R6832	3-1979673-8	G36745	RED
15R6833	3-1979673-9	G36745	RED W/STRIPE
15R6834	4-1979673-0	G36745	RED

- ITEM NUMBERS IN PARTS LIST DO NOT CORRESPOND WITH ITEM NUMBER ON ATTACHED CUSTOMER PRINT.
- DIMENSIONS ON IBM PRINT ARE IN MILLIMETERS.
- INDIVIDUALLY BAG AND LABEL
- ELECTRICAL TESTING
 - CONTINUITY: FOUR (4) WIRE DC RESISTANCE WITHIN 10% OF 200 POINT MEAN AND TWISTED PAIR CONFORMATION.
 - SHORTS: 1K OHM MIN.
 - HI-POT/HIGH RESISTANCE: 240 VDC MIN/20 MEGA OHMS MIN/0.1 SEC MIN.
- THIS ASSEMBLY COMPLIES WITH IBM SPECIFICATIONS 46G3772 AND 53P6233. ANY SOLDER USED IS LEAD BASED AND IS EXEMPT UNDER SERVER EXEMPTION.
- SOLDER MUST BE LEAD BASED. NO LEAD SOLDER AND PROCESSES ARE NOT APPROVED FOR USE ON THESE ASSEMBLIES.
- DRAIN WIRE MUST BE SOLDERED TO CONNECTOR SHIELD.

PVC, BLACK	7
SOLDER, 63Sn/37Pb	6
LABEL	5
BOOT, MODPLUG, 8P, OVERMOLDED STRAIGHT	4
LABEL	3
MOD PLUG, 8P, SHIELDED, STR WIRE	2
CABLE, 4TP, 26 AWG, CAT5, SHIELDED W/DRAIN	1
DESCRIPTION	ITEM

THIS DRAWING IS A CONTROLLED DOCUMENT.		DWN E.C. CLAYBAUGH 05/JUN/07	Tyco Electronics Corporation Harrisburg, Pa 17105-3608																			
DIMENSIONS: mm		CHK J. SIMPSON 05/JUN/07	NAME CABLE ASSY, BPC TO BPH'S [ETHERNET/ SENSE] [IBM 15R6794]																			
TOLERANCES UNLESS OTHERWISE SPECIFIED:		APVD J. SIMPSON 05/JUN/07	PRODUCT SPEC																			
<table border="0"> <tr><td>0 PLC</td><td>±</td><td>-</td></tr> <tr><td>1 PLC</td><td>±</td><td>-</td></tr> <tr><td>2 PLC</td><td>±</td><td>-</td></tr> <tr><td>3 PLC</td><td>±</td><td>-</td></tr> <tr><td>4 PLC</td><td>±</td><td>-</td></tr> <tr><td>ANGLES</td><td>±</td><td>-</td></tr> </table>		0 PLC	±	-	1 PLC	±	-	2 PLC	±	-	3 PLC	±	-	4 PLC	±	-	ANGLES	±	-	APPLICATION SPEC	SIZE A2	
0 PLC	±	-																				
1 PLC	±	-																				
2 PLC	±	-																				
3 PLC	±	-																				
4 PLC	±	-																				
ANGLES	±	-																				
MATERIAL	FINISH	WEIGHT	CAGE CODE 00779	DRAWING NO 1979673																		
CUSTOMER DRAWING		SCALE N.T.S.	SHEET 1 of 4	REV N																		

THIS DRAWING IS UNPUBLISHED. RELEASED FOR PUBLICATION
 © COPYRIGHT BY TYCO ELECTRONICS CORPORATION. ALL RIGHTS RESERVED.

LOC	DIST	REVISIONS		
GP	00	P	LTR	DESCRIPTION
				DATE
				DWN
				APVD
		SEE SHEET 1		

REL FOR ASM	QTY	TECHNICAL APPROVAL	SYM	DATE	EC NO.	SYM	DATE	EC NO.	PART NO.
		ELECTRICAL	REL	20061110	G40220				15R6794
		MATERIAL	RED	20071208	G36849				
			RED	20080201	G36745				
			RED	20080226	G36845				

TAB DRAWING/ REFERENCE DRAWING

SHEET 1 OF 3

TAB CHART							
P/N	EC	LENGTH	FROM	TO	DESCRIPTION	NOTES	LABEL P/N AND COLOR
45D1679	G36649	1200 MM	A35B-BPCA-P03	A35B-BPHA-P07	BPC-A TO HUB A	⑤	46H9422 RED W/STRIPE
45D1680	G36649	1200 MM	A35P-BPCB-P02	A35P-BPHB-P08	BPC-B TO HUB B	⑤	46H9423 RED
45D1681	G36649	3450 MM	A35B-BPCA-P02	A35P-BPHB-P07	BPC-A TO HUB B	⑤	46H9422 RED W/STRIPE
45D1682	G36649	3450 MM	A35P-BPCB-P03	A35B-BPHA-P08	BPC-B TO HUB A	⑤	46H9423 RED
45D1683	G36649	2000 MM	A35B-BPHA-P05	A13B-P1C2-P04	BPH-A TO P1C2	⑤	46H9422 RED W/STRIPE
45D1684	G36649	2400 MM	A35P-BPHB-P05	A13B-P1C2-P03	BPH-B TO P1C2	⑤	46H9423 RED
45D1685	G36649	1300 MM	A35B-BPHA-P06	A13B-P1C5-P04	BPH-A TO P1C5	⑤	46H9422 RED W/STRIPE
45D1686	G36649	2900 MM	A35P-BPHB-P06	A13B-P1C5-P03	BPH-B TO P1C5	⑤	46H9423 RED
45D2380	G36845	1500 MM	A35B-BPHA-P24	A13B-P9C41-P01	BPH-A TO NODE P9 (1st)	⑤	46H9422 RED W/STRIPE
45D2381	G36845	3000 MM	A35P-BPHB-P24	A13B-P9C41-P02	BPH-B TO NODE P9 (1st)	⑤	46H9423 RED
45D2382	G36845	1500 MM	A35B-BPHA-P23	A13B-P9C42-P01	BPH-A TO NODE P9 (1st)	⑤	46H9422 RED W/STRIPE
45D2383	G36845	3000 MM	A35P-BPHB-P23	A13B-P9C42-P02	BPH-B TO NODE P9 (1st)	⑤	46H9423 RED
45D2384	G36845	750 MM	A35B-BPHA-P22	A13B-P5C41-P01	BPH-A TO NODE P5 (2nd)	⑤	46H9422 RED W/STRIPE
45D2385	G36845	2600 MM	A35P-BPHB-P22	A13B-P5C41-P02	BPH-B TO NODE P5 (2nd)	⑤	46H9423 RED
45D2386	G36845	750 MM	A35B-BPHA-P21	A13B-P5C42-P01	BPH-A TO NODE P5 (2nd)	⑤	46H9422 RED W/STRIPE
45D2387	G36845	2600 MM	A35P-BPHB-P21	A13B-P5C42-P02	BPH-B TO NODE P5 (2nd)	⑤	46H9423 RED
45D2388	G36845	2000 MM	A35B-BPHA-P20	A13B-P6C41-P01	BPH-A TO NODE P6 (3rd)	⑤	46H9422 RED W/STRIPE
45D2389	G36845	2200 MM	A35P-BPHB-P20	A13B-P6C41-P02	BPH-B TO NODE P6 (3rd)	⑤	46H9423 RED
45D2390	G36845	2000 MM	A35B-BPHA-P19	A13B-P6C42-P01	BPH-A TO NODE P6 (3rd)	⑤	46H9422 RED W/STRIPE
45D2391	G36845	2200 MM	A35P-BPHB-P19	A13B-P6C42-P02	BPH-B TO NODE P6 (3rd)	⑤	46H9423 RED
45D2392	G36845	1300 MM	A35B-BPHA-P18	A13B-P2C41-P01	BPH-A TO NODE P2 (4th)	⑤	46H9422 RED W/STRIPE
45D2393	G36845	1800 MM	A35P-BPHB-P18	A13B-P2C41-P02	BPH-B TO NODE P2 (4th)	⑤	46H9423 RED
45D2394	G36845	1300 MM	A35B-BPHA-P17	A13B-P2C42-P01	BPH-A TO NODE P2 (4th)	⑤	46H9422 RED W/STRIPE
45D2395	G36845	1800 MM	A35P-BPHB-P17	A13B-P2C42-P02	BPH-B TO NODE P2 (4th)	⑤	46H9423 RED

SEE SHEET 2

SHEET 1 OF 3

15R6794

IBM MATERIAL NO.	MUST CONFORM TO ENG SPEC. 80X2324 48G3772	SCALE: NONE	PART NO. 15R6794
MATL ALTERNATE NO.	TOLERANCE UNLESS NOTED	0.25 mm ± 0.25 THIRD ANGLE PROJECTION	TITLE CABLE ASM: BPC TO BPH'S (ETHERNET/ SENSE)
CASE DEPTH	LINEAR ±	DESIGNER RJK	CHECKED RLN
HARDNESS	ANGLES ±	APPROVED MES	DESIGNER RJK
SURFACE TREATMENT	RADII UNLESS NOTED	CLASS RO	APPROVED MES
	EDGE/CORNER BREAKS		
	OUTSIDE MAX		
	INSIDE MAX		

THIS DOCUMENT IS THE PROPERTY OF IBM. ITS USE IS AUTHORIZED FOR RESPONDING TO A REQUEST FOR QUOTATION OR FOR THE PERFORMANCE OF WORK FOR IBM. ALL QUESTIONS MUST BE REFERRED TO THE IBM PURCHASING DEPARTMENT.

THIS DRAWING IS A CONTROLLED DOCUMENT.		DWN 05/JUN/07 E.C. CLAYBAUGH	Tyco Electronics Corporation Harrisburg, Pa 17105-3608	
DIMENSIONS: mm		CHK 05/JUN/07 J. SIMPSON	NAME CABLE ASSY, BPC TO BPH'S [ETHERNET/ SENSE] [IBM 15R6794]	
TOLERANCES UNLESS OTHERWISE SPECIFIED:		APVD 05/JUN/07 J. SIMPSON	SIZE A2	
0 PLC ± -		PRODUCT SPEC	CAGE CODE 00779	
1 PLC ± -		APPLICATION SPEC	DRAWING NO C=1979673	
2 PLC ± -			RESTRICTED TO	
3 PLC ± -				
4 PLC ± -				
ANGLES ± -				
MATERIAL	FINISH	WEIGHT	SCALE N.T.S.	
			SHEET 2 OF 4	
CUSTOMER DRAWING		REV N		

1979673

THIS DRAWING IS UNPUBLISHED. RELEASED FOR PUBLICATION
 © COPYRIGHT BY TYCO ELECTRONICS CORPORATION. ALL RIGHTS RESERVED.

LOC	DIST	REVISIONS		
GP	00	P	LTR	DESCRIPTION
				DATE
				DWN
				APVD
		SEE SHEET 1		

REL FOR ASM	QTY	TECHNICAL APPROVAL	SYM	DATE	EC NO.	SYM	DATE	EC NO.	PART NO.
		ELECTRICAL	REL	20061110	G40220				15R6794
		MATERIAL	RED	20071208	G36849				
			RED	20080201	G36745				DEVELOPMENT NO.
			RED	20080228	G36845				Q/M

TAB DRAWING/ REFERENCE DRAWING

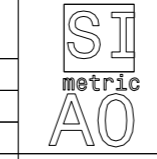
SHEET 2 OF 3

TAB CHART							
P/N	EC	LENGTH	FROM	TO	DESCRIPTION	NOTES	LABEL P/N AND COLOR
15R6819	G40220	2400 MM	A35B-BPHA-P16	A13B-P7C41-P01	BPH-A TO NODE P7 (5th)	⑤	46H9422 RED W/STRIPE
15R6820	G40220	2600 MM	A35P-BPHB-P16	A13B-P7C41-P02	BPH-B TO NODE P7 (5th)	⑤	46H9423 RED
15R6821	G40220	2400 MM	A35B-BPHA-P15	A13B-P7C42-P01	BPH-A TO NODE P7 (5th)	⑤	46H9422 RED W/STRIPE
15R6822	G40220	2600 MM	A35P-BPHB-P15	A13B-P7C42-P02	BPH-B TO NODE P7 (5th)	⑤	46H9423 RED
15R6823	G40220	1750 MM	A35B-BPHA-P14	A13B-P8C41-P01	BPH-A TO NODE P8 (6th)	⑤	46H9422 RED W/STRIPE
45D2172	G36745	3450 MM	A35P-BPHB-P14	A13B-P8C41-P02	BPH-B TO NODE P8 (6th)	⑤	46H9423 RED
15R6825	G40220	1750 MM	A35B-BPHA-P13	A13B-P8C42-P01	BPH-A TO NODE P8 (6th)	⑤	46H9422 RED W/STRIPE
45D2173	G36745	3450 MM	A35P-BPHB-P13	A13B-P8C42-P02	BPH-B TO NODE P8 (6th)	⑤	46H9423 RED
15R6827	G36745	1800 MM	A35B-BPHA-P12	A13B-P3C41-P01	BPH-A TO NODE P3 (7th)	⑤	46H9422 RED W/STRIPE
15R6828	G40220	2400 MM	A35P-BPHB-P12	A13B-P3C41-P02	BPH-B TO NODE P3 (7th)	⑤	46H9423 RED
15R6829	G36745	1800 MM	A35B-BPHA-P11	A13B-P3C42-P01	BPH-A TO NODE P3 (7th)	⑤	46H9422 RED W/STRIPE
15R6830	G40220	2400 MM	A35P-BPHB-P11	A13B-P3C42-P02	BPH-B TO NODE P3 (7th)	⑤	46H9423 RED
15R6831	G36745	1150 MM	A35B-BPHA-P10	A13B-P4C41-P01	BPH-A TO NODE P4 (8th)	⑤	46H9422 RED W/STRIPE
15R6832	G36745	3300 MM	A35P-BPHB-P10	A13B-P4C41-P02	BPH-B TO NODE P4 (8th)	⑤	46H9423 RED
15R6833	G36745	1150 MM	A35B-BPHA-P09	A13B-P4C42-P01	BPH-A TO NODE P4 (8th)	⑤	46H9422 RED W/STRIPE
15R6834	G36745	3300 MM	A35P-BPHB-P09	A13B-P4C42-P02	BPH-B TO NODE P4 (8th)	⑤	46H9423 RED

SHEET 2 OF 3

15R6794

IBM MATERIAL NO.	MUST CONFORM TO ENG SPEC. 80X2324 48G3772	SCALE: NONE	PART NO. 15R6794
MATL ALTERNATE NO.	TOLERANCE UNLESS NOTED	0 mm → 25 THIRD ANGLE PROJECTION	TITLE CABLE ASSY: BPC TO BPH'S (ETHERNET/ SENSE)
CASE DEPTH	LINEAR ±	DESIGNER RJK	20080621
HARDNESS	ANGLES ±	CHECKED RLN	20080621
SURFACE TREATMENT	RADII UNLESS NOTED	APPROVED MES	20080621
	EDGE/ CORNER BREAKS	CLASS RO	
	OUTSIDE MAX INSIDE MAX		



THIS DOCUMENT IS THE PROPERTY OF IBM. ITS USE IS AUTHORIZED FOR RESPONDING TO A REQUEST FOR QUOTATION OR FOR THE PERFORMANCE OF WORK FOR IBM. ALL QUESTIONS MUST BE REFERRED TO THE IBM PURCHASING DEPARTMENT.

THIS DRAWING IS A CONTROLLED DOCUMENT.		DWN E.C. CLAYBAUGH 05/JUN/07	Tyco Electronics Corporation Harrisburg, Pa 17105-3608	
DIMENSIONS: mm	TOLERANCES UNLESS OTHERWISE SPECIFIED:	CHK J. SIMPSON 05/JUN/07	NAME CABLE ASSY, BPC TO BPH'S [ETHERNET/ SENSE] [IBM 15R6794]	
0 PLC ± -	1 PLC ± -	APVD J. SIMPSON 05/JUN/07	SIZE A2	CAGE CODE 00779
2 PLC ± -	3 PLC ± -	PRODUCT SPEC	DRAWING NO C=1979673	RESTRICTED TO
4 PLC ± -	ANGLES ± -	APPLICATION SPEC	WEIGHT	
MATERIAL	FINISH	SCALE N.T.S.	SHEET 3 of 4	REV N
CUSTOMER DRAWING				

1979673

THIS DRAWING IS UNPUBLISHED. RELEASED FOR PUBLICATION
 © COPYRIGHT BY TYCO ELECTRONICS CORPORATION. ALL RIGHTS RESERVED.

LOC	DIST	REVISONS					
GP	00	P	LTR	DESCRIPTION	DATE	DWN	APVD
				SEE SHEET 1			

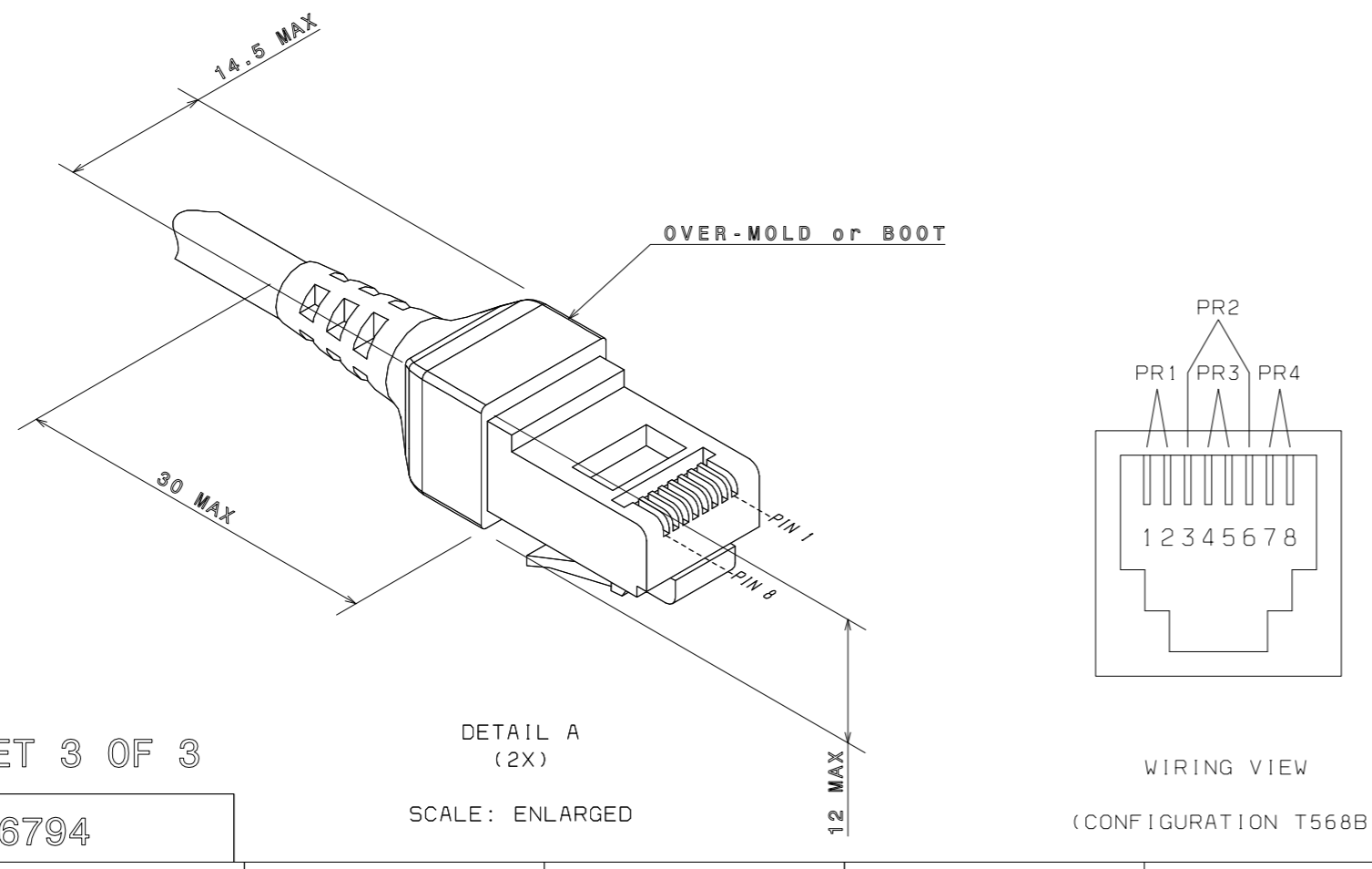
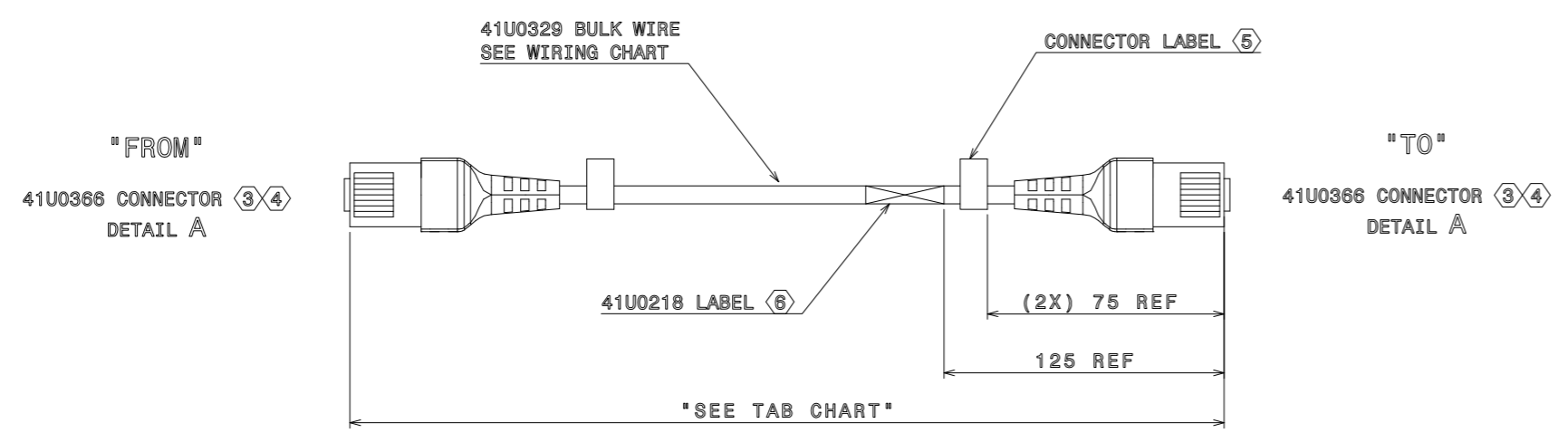
REL FOR ASM	QTY	TECHNICAL APPROVAL	SYM	DATE	EC NO.	SYM	DATE	EC NO.	PART NO.
		ELECTRICAL	REL	20061110	G40220				15R6794
		MATERIAL	RED	20071208	G36849				
			RED	20080201	G36745				
			RED	20080228	G36845				

LEAD #	"FROM"	CABLE COLOR	"TO"
1	1	WHITE/GREEN	1
T1	2	GREEN	2
2	3	WHITE/ORANGE	3
3	4	BLUE	4
T3	5	WHITE/BLUE	5
T2	6	ORANGE	6
4	7	WHITE/BROWN	7
T4	8	BROWN	8
X5	SHIELD	BARE	SHIELD

TAB DRAWING/ REFERENCE DRAWING SHEET 3 OF 3

41U0329 (SEE TAB CHART) BULK WIRE (4) T/P #26 AWG (CAT 5) SHIELDED WITH DRAIN
 41U0366 (2) CONNECTOR, PLUG 8 POS RJ-45
 41U0218 LABEL (P/N, EC....)
 0878235 IBM ENG SPEC
 46G3772 IBM ENG SPEC
 53P6233 IBM ENG SPEC
 LAST WIRE NUMBER USED - X5
 UNUSED WIRE NUMBERS - NONE
 X - INDICATES SHIELD OR DRAIN WIRE

- NOTES:
- THIS MANUFACTURING PROCESS MAY INCLUDE HAZARDOUS OPERATIONS AND REQUIRE SPECIAL HEALTH AND/OR SAFETY PRECAUTIONS
 - BUILD, LABEL AND TEST CABLE ASSEMBLY PER IBM ENG SPEC P/N 0878235 REF
 - OVERMOLD RJ-45 PER DETAIL A, COLOR TO BE BLACK. CABLE MUST BE ABLE TO WITHSTAND A 50 N (11.24 POUND) MINIMUM AXIAL PULL. SLIP ON BOOT IS PERMISSIBLE IN PLACE OF OVERMOLD IF BOOT CAN MEET THE PULL TEST. FORM FACTOR OF BOOT MUST MATCH DETAIL A
 - CONTINUITY IS REQUIRED BETWEEN OVERALL BRAIDED SHIELD OF BULK WIRE TO THE SHIELD ON CONNECTOR HOUSING. LESS THAN 1 OHM
 - FLAG LABELS AROUND BULK WIRE, 75mm REF FROM END OF CONNECTOR, USE TAB CHART FOR LABELING INFORMATION AND LABEL COLOR
 - LABEL CABLE ASSEMBLY P/N, EC NUMBER, VENDOR, DATE OF MANUFACTURE AND COUNTRY OF ORIGIN LOCATED APPROXIMATELY AS SHOWN
 - CABLE ASSEMBLY MUST BE A UL RECOGNIZED WIRING HARNESS. MARKING INDICATING THE ASSEMBLY IS MANUFACTURED UNDER THE UL RECOGNIZED WIRING HARNESS PROGRAM IS REQUIRED ON THE ASSEMBLY OR BOX
 - ALL PLASTIC MATERIALS MUST HAVE A UL RECOGNIZED FLAME CLASS OF V-1 OR BETTER. ALL WIRING MUST BE UL RECOGNIZED APPLIANCE WIRING MATERIAL (AWM). ALL WIRING, INSULATION AND HEAT SHRINK TUBING MUST HAVE A UL RECOGNIZED FLAME CLASS OF VW-1 AND (EXCEPT HEAT SHRINK TUBING AND FLAT RIBBON CABLE) BE SURFACE MARKED FOR TRACEABILITY. ALL TAPE MUST BE UL LISTED OR RECOGNIZED. ALL CONNECTORS MUST BE UL RECOGNIZED COMPONENTS.
 - THIS ASSEMBLY MUST BE IN COMPLIANCE WITH THE FOLLOWING ENVIRONMENTAL SPEC'S IBM ENG SPEC P/N 46G3772 REF (BASELINE ENVIRONMENTAL REQUIREMENTS FOR MATERIAL, PARTS AND PRODUCTS FOR IBM LOGO HARDWARE PRODUCTS) IBM ENG SPEC P/N 53P6233 REF (COMPLIANCE REQUIREMENTS FOR EUROPEAN UNION DIRECTIVE ON THE RESTRICTION OF THE USE OF CERTAIN HAZARDOUS SUBSTANCES (ROHS) IN ELECTRICAL AND ELECTRONIC EQUIPMENT FOR IBM SERVER AND STORAGE PRODUCTS)



SHEET 3 OF 3
 15R6794

SCALE: ENLARGED

WIRING VIEW
 (CONFIGURATION T568B)

IBM MATERIAL NO.	MUST CONFORM TO ENG SPEC. 80X2324 46G3772	SI metric AO	SCALE: NONE 0 mm → 25 THIRD ANGLE PROJECTION	PART NO. 15R6794	IBM
MATL ALTERNATE NO.	TOLERANCE UNLESS NOTED			TITLE CABLE ASM: BPC TO BPH'S (ETHERNET/ SENSE)	
CASE DEPTH	LINER ±			DESIGNER RLK	20080821
HARDNESS	ANGLES ±			CHECKED RLN	20080821
SURFACE TREATMENT	RADI UNLESS NOTED			APPROVED MES	20080821
	EDGE/ CORNER BREAKS	OUTSIDE MAX INSIDE MAX		CLASS RO	

THIS DRAWING IS A CONTROLLED DOCUMENT.		DWN E.C. CLAYBAUGH 05/JUN/07	Tyco Electronics Corporation Harrisburg, Pa 17105-3608	
DIMENSIONS: mm	TOLERANCES UNLESS OTHERWISE SPECIFIED:	CHK J. SIMPSON 05/JUN/07	NAME CABLE ASSY, BPC TO BPH'S [ETHERNET/ SENSE] [IBM 15R6794]	
	0 PLC ± - 1 PLC ± - 2 PLC ± - 3 PLC ± - 4 PLC ± - ANGLES ± -	APVD J. SIMPSON 05/JUN/07	SIZE A2	CAGE CODE 00779
MATERIAL	FINISH	PRODUCT SPEC	DRAWING NO C=1979673	RESTRICTED TO
		APPLICATION SPEC	SCALE N.T.S.	SHEET 4 of 4
		WEIGHT	REV N	
		CUSTOMER DRAWING		