

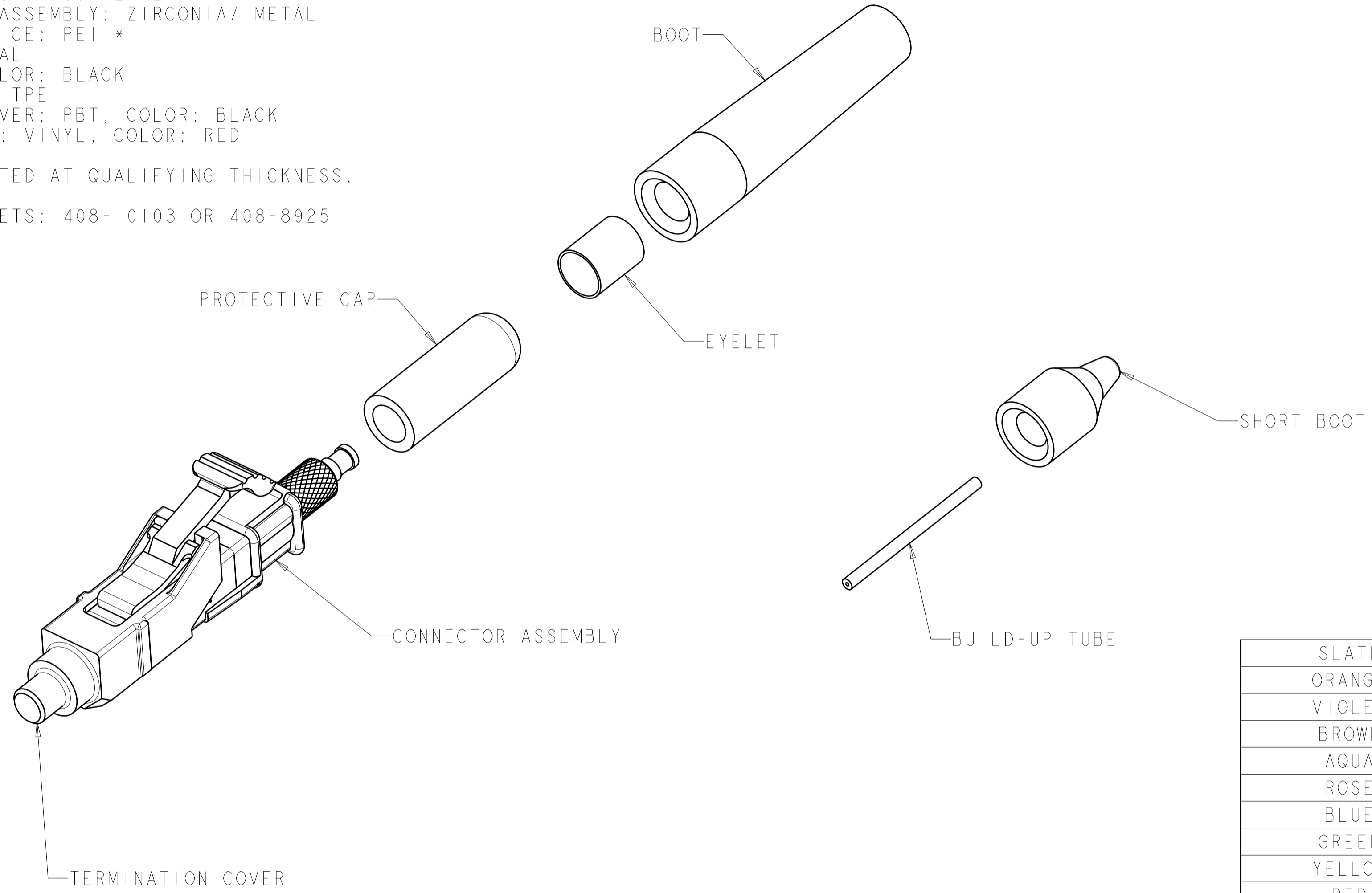
THIS DRAWING IS UNPUBLISHED. RELEASED FOR PUBLICATION 20
 © COPYRIGHT 20 BY - ALL RIGHTS RESERVED.

LOC	DIST	REVISIONS			
P	LTR	DESCRIPTION	DATE	DWN	APVD
CE	00	A	RELEASED PER ECO 11-024136	01DEC2011	DLF SB

⚠ MATERIAL:
 CONNECTOR ASSEMBLY:
 CONNECTOR HOUSING: PPSU, COLOR: SEE -NO'S.*
 REAR BODY: METAL
 COMPRESSION SPRING: METAL
 FERRULE SUB ASSEMBLY: ZIRCONIA/ METAL
 INTERNAL SPLICE: PEI *
 PLUNGER: METAL
 BOOTS: TPE, COLOR: BLACK
 BUILD-UP TUBE: TPE
 TERMINATION COVER: PBT, COLOR: BLACK
 PROTECTIVE CAP: VINYL, COLOR: RED

* UL 94 V-0 RATED AT QUALIFYING THICKNESS.

2. INSTRUCTION SHEETS: 408-10103 OR 408-8925



SLATE	1-1985959-0
ORANGE	1985959-9
VIOLET	1985959-8
BROWN	1985959-7
AQUA	1985959-6
ROSE	1985959-5
BLUE	1985959-4
GREEN	1985959-3
YELLOW	1985959-2
RED	1985959-1
KEYED HOUSING COLOR	PART NO.

THIS DRAWING IS A CONTROLLED DOCUMENT.		DWN B. BRIGGS 01APR2008	TE Connectivity															
DIMENSIONS: mm		CHK C. BENNETT 01APR2008																
TOLERANCES UNLESS OTHERWISE SPECIFIED:		APVD S. BUCHTER 01APR2008	NAME KIT, CONNECTOR, LightCrimp Plus LC SECURE, SIMPLEX, MM50, 250um-2.0mm JACKET															
<table border="1"> <tr><td>0 PLC</td><td>±</td></tr> <tr><td>1 PLC</td><td>±</td></tr> <tr><td>2 PLC</td><td>±</td></tr> <tr><td>3 PLC</td><td>±</td></tr> <tr><td>4 PLC</td><td>±</td></tr> <tr><td>ANGLES</td><td>±</td></tr> <tr><td>FINISH</td><td></td></tr> </table>		0 PLC	±	1 PLC	±	2 PLC	±	3 PLC	±	4 PLC	±	ANGLES	±	FINISH		PRODUCT SPEC -	SIZE A2	CAGE CODE 00779
0 PLC	±																	
1 PLC	±																	
2 PLC	±																	
3 PLC	±																	
4 PLC	±																	
ANGLES	±																	
FINISH																		
MATERIAL ⚠ -		APPLICATION SPEC -	DRAWING NO 1985959	RESTRICTED TO -														
		WEIGHT -	SCALE 4:1 SHEET 1 OF 1 REV A															
		CUSTOMER DRAWING																