

REVISIONS

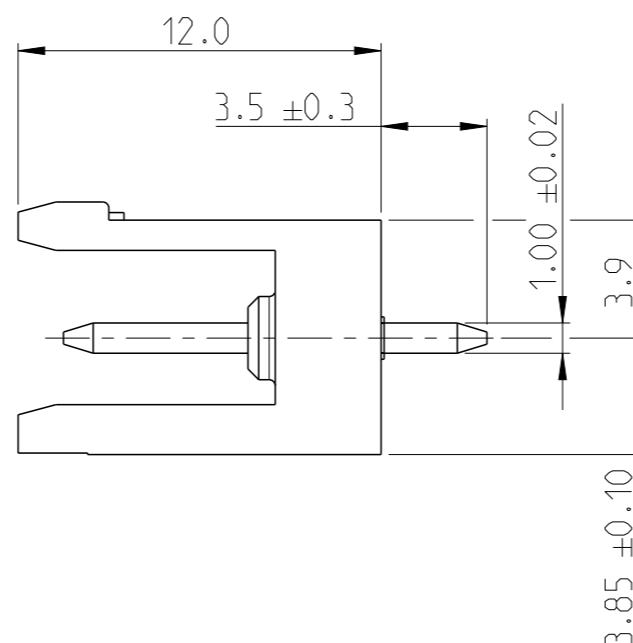
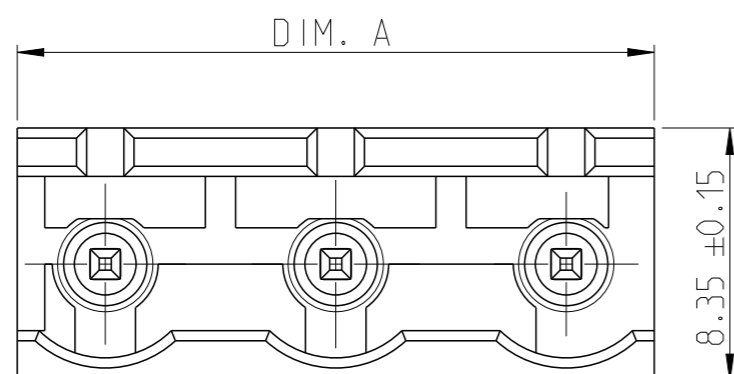
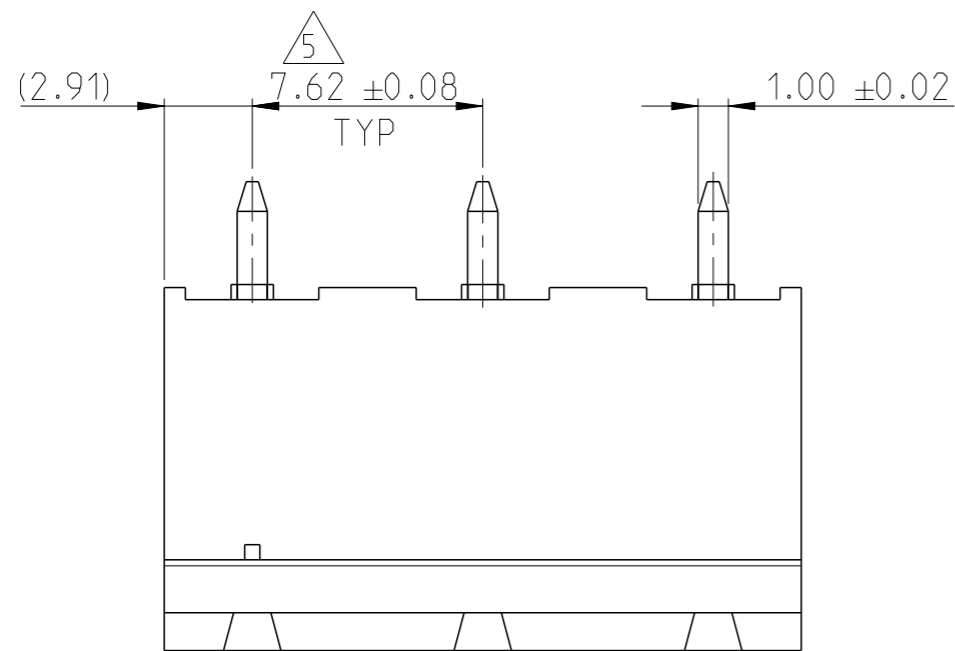
P	LTR	DESCRIPTION	DATE	DWN	APVD
A		INITIAL RELEASE	29JUN2018	RK	PS

NOTES:

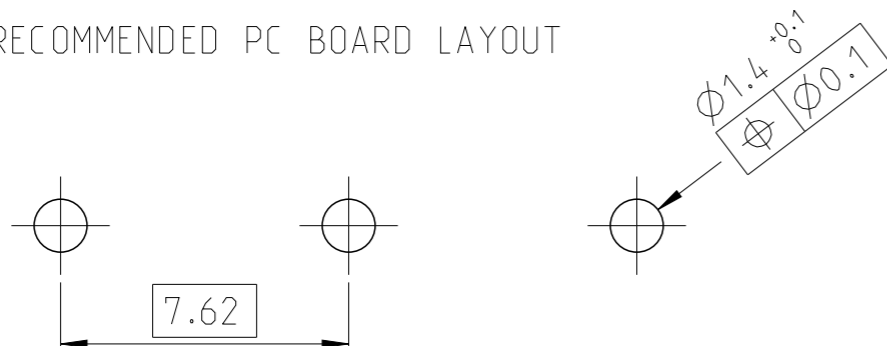
- MATERIALS & FINISH
HOUSING : PA 6-6, UL94 V0, COLOR -BLACK
CONTACT : BRASS, TIN PLATED
- MECHANICAL
MAX. INSERTION FORCE PER POLE : 3.0 N
MIN. WITHDRAWAL FORCE PER POLE : 1.5 N
MIN. PC BOARD HOLES DIAMETER : 1.4 mm
MAX. PC BOARD THICKNESS : 2.4 mm
- ELECTRICAL
WIRE RANGE : 12-30 AWG
MAX. VOLTAGE : 300 V
MAX CURRENT : 15 A
CONTACT RESISTANCE : <15 m Ohm
INSULATION RESISTANCE : >1000 M Ohm (500V DC)

4. OPERATING TEMPERATURE RANGE: -40 °C TO +110 °C


△ NOT CUMULATIVE TOLERANCE.



RECOMMENDED PC BOARD LAYOUT



PRELIMINARY	89.64	12	1-1986497-2
	82.02	11	1-1986497-1
	74.40	10	1-1986497-0
	66.78	9	1986497-9
	59.16	8	1986497-8
PRELIMINARY	51.54	7	1986497-7
	43.92	6	1986497-6
	36.30	5	1986497-5
	28.68	4	1986497-4
	21.06	3	1986497-3
	13.44	2	1986497-2
	DIM. A	NO OF POS.	PART NUMBER

THIS DRAWING IS A CONTROLLED DOCUMENT.		DWN 29JUN2018 RAGHAVENDRA.K	 TE Connectivity	
DIMENSIONS: mm		CHK 29JUN2018 SHARATH.S		
TOLERANCES UNLESS OTHERWISE SPECIFIED:		APVD 29JUN2018 PRASHANTH.S	NAME TERMINAL BLOCK HEADER ASSEMBLY 180 DEGREE OPEN ENDS, 7.62mm PITCH	
0 PLC ±- 1 PLC ±- 2 PLC ±0.3 3 PLC ±0.25 4 PLC ±- ANGLES ±2°		PRODUCT SPEC 108-20166	SIZE CAGE CODE DRAWING NO RESTRICTED TO	
MATERIAL SEE NOTES		APPLICATION SPEC 114-20079	A3 00779 ©=1986497	
FINISH SEE NOTES		WEIGHT -	SCALE 5:1 SHEET 1 OF 1 REV A	
CUSTOMER DRAWING				