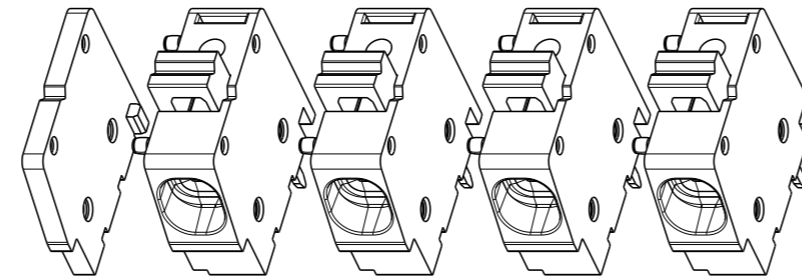
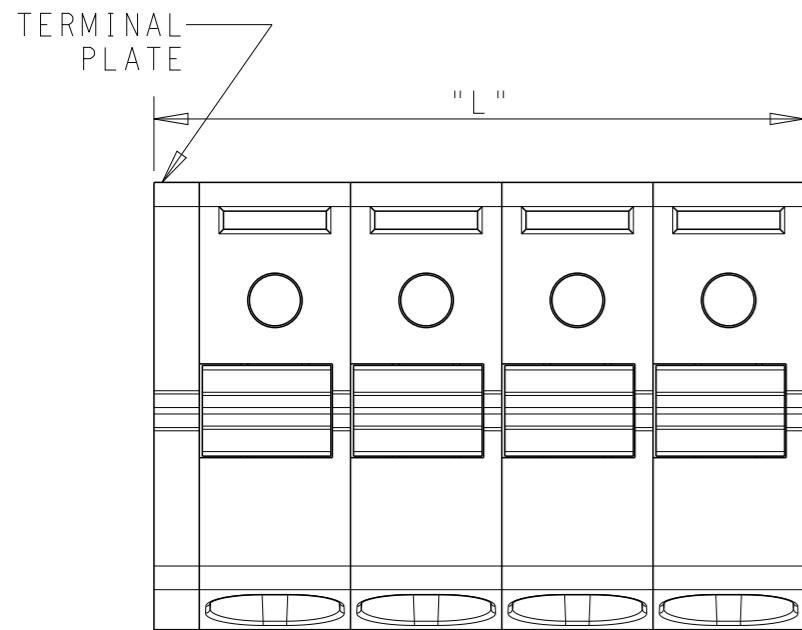
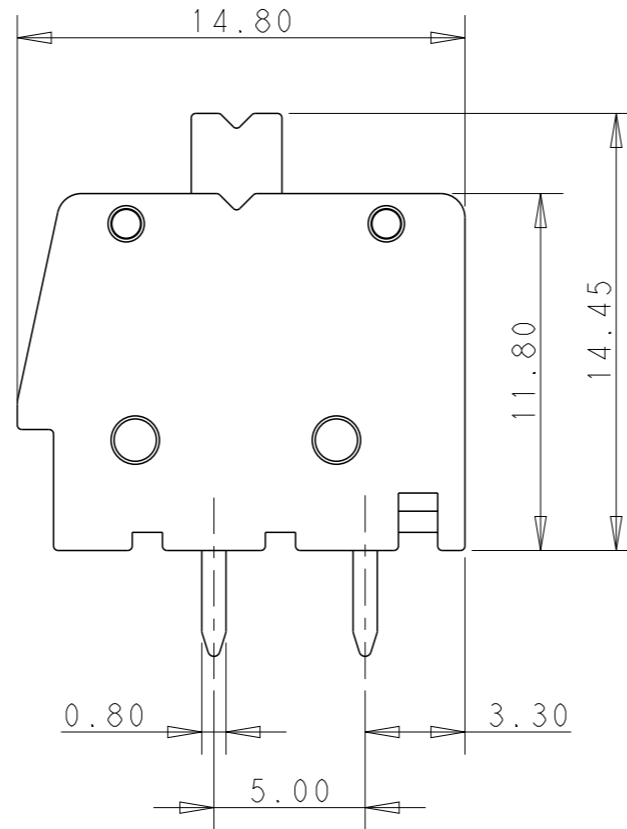
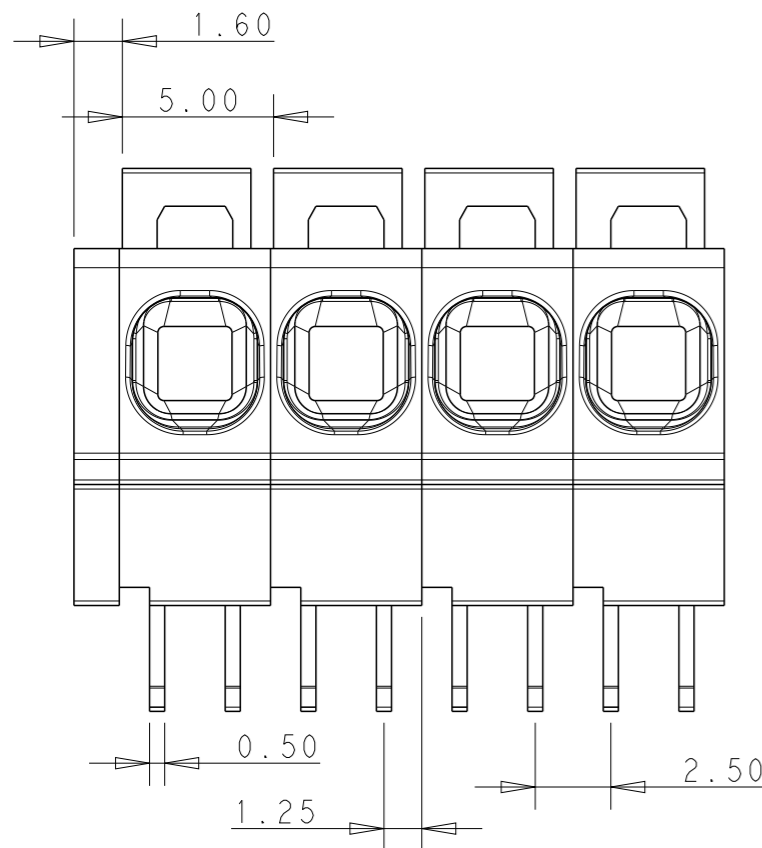


P	LTR	DESCRIPTION	DATE	DWN	APVD
B		PLATING INFORMATION ADDED	16JUL2019	RK	PS
C		CHANGING THE PUSH BUTTON COLOR TO ORANGE	09MAY2023	SP	PS

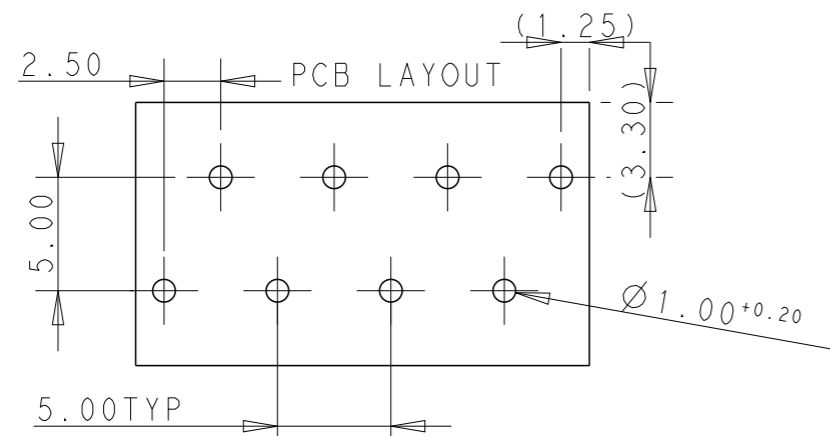


SCALE 2:1
-4AS SHOWN

- MATERIAL:**
 HOUSING - PA, UL94 V0, COLOR - GREEN
 PUSH BUTTON - PA (POLYAMIDE), COLOUR - ORANGE
 CLAMPING SPRING - STAINLESS STEEL
 PIN - COPPER ALLOY (CuCr) - BRIGHT TIN PLATED, OVERNICKEL UNDERPLATE
- MECHANICAL:**
 MIN. PC BOARD HOLES DIAMETER : 1.2 mm
 MAX. PC BOARD THICKNESS : 2.4 mm
 WIRE STRIPPING LENGTH : 11 mm
- ELECTRICAL:**
 WIRE RANGE : 12-30 AWG (2.5mm² TO 0.2mm²)
 RATED VOLTAGE : 300V
 RATED CURRENT : 15A
 CONTACT RESISTANCE : <15 m Ohm
 INSULATION RESISTANCE : >1000 M Ohm (500V DC)
- OPERATING TEMPERATURE RANGE : -40°C TO +105°C**



61.50	12	1-1986774-2
56.50	11	1-1986774-1
51.50	10	1-1986774-0
46.50	9	1986774-9
41.50	8	1986774-8
36.50	7	1986774-7
31.50	6	1986774-6
26.50	5	1986774-5
21.50	4	1986774-4
16.50	3	1986774-3
11.50	2	1986774-2
"L"	POLE	PART NO



THIS DRAWING IS A CONTROLLED DOCUMENT.		DWN 11OCT2012 KIRAN HOLAL			
DIMENSIONS: mm		CHK 11OCT2012 MARK BRUBAKER			
TOLERANCES UNLESS OTHERWISE SPECIFIED:		APVD 11OCT2012 MARK BRUBAKER	NAME SPRING TYPE, SIDE WIRE ENTRY TERMINAL BLOCK PITCH 5.00MM		
0 PLC ±- 1 PLC ±0.5 2 PLC ±0.25 3 PLC ±- 4 PLC ±- ANGLES ±1°		PRODUCT SPEC	RESTRICTED TO		
MATERIAL		APPLICATION SPEC	SIZE	CAGE CODE	DRAWING NO
FINISH		WEIGHT	A3	00779	1986774
		CUSTOMER DRAWING	SCALE	SHEET	REV
			3:1	1 OF 1	C