

REVISIONS

P	LTR	DESCRIPTION	DATE	DWN	APVD
	B	PACKAGING CHANGED FROM BLACK POLYURETHANE SPONGE TO TRAY	06MAR2018	RK	PS
	B1	DRAWING MADE OBSOLETE	09JUL2021	SB	SS
	C	SHADE CHANGE IN ORANGE PUSH BUTTON COLOR	09MAY2023	SP	PS

D

D

C

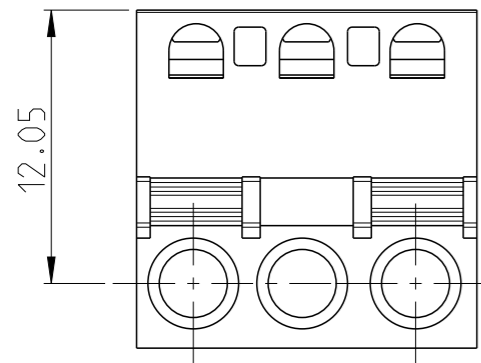
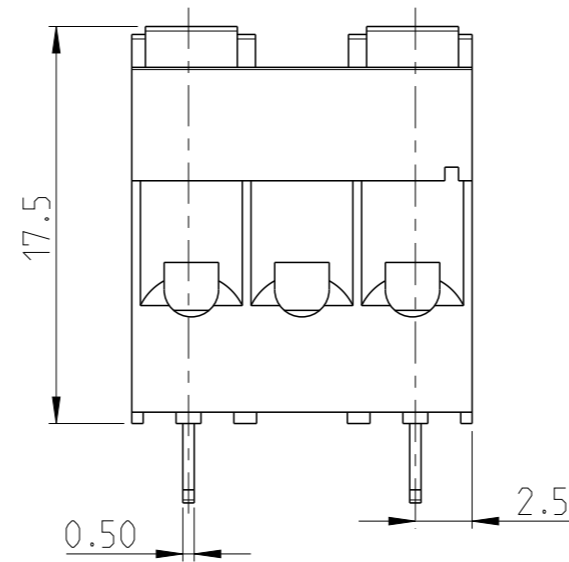
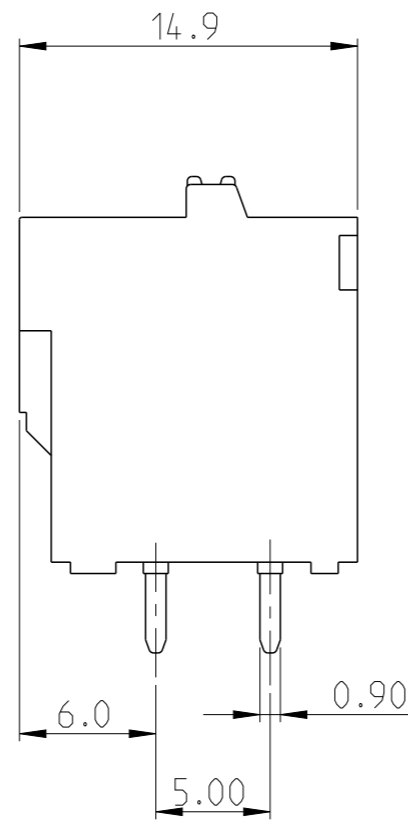
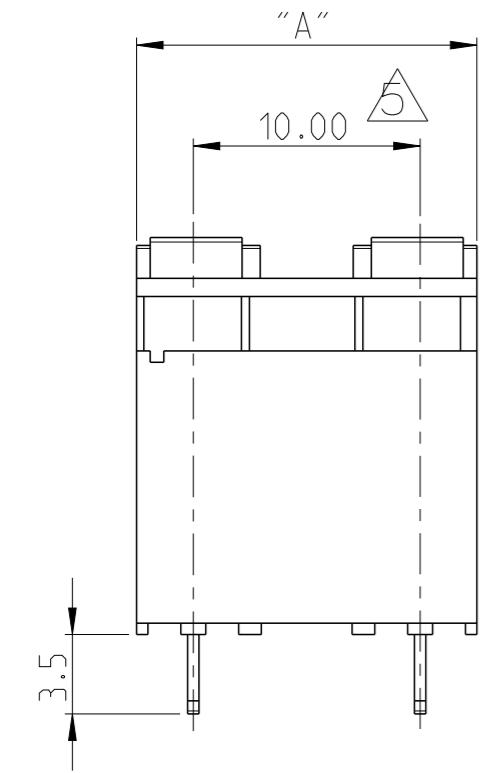
C

B

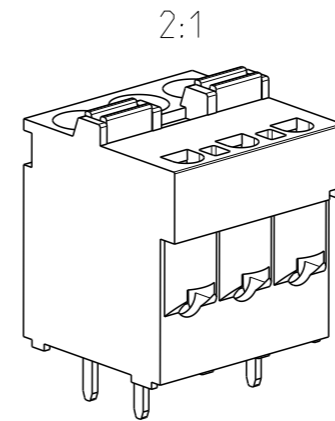
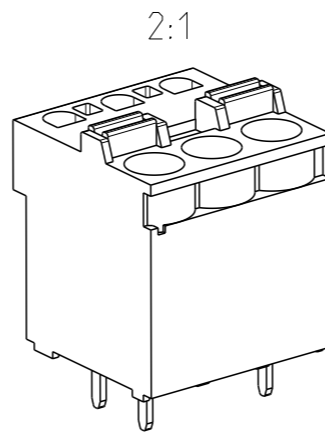
B

A

A

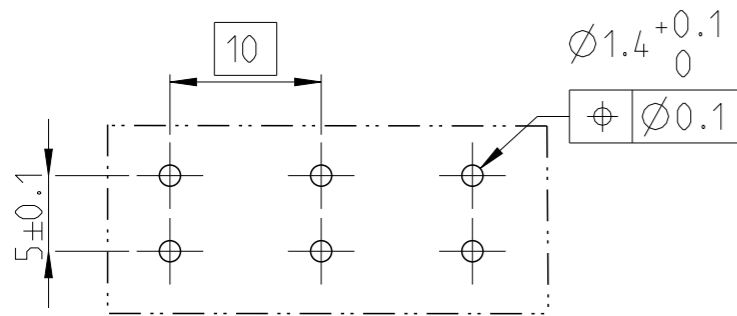


-2 AS SHOWN



85.00	09	1986843-9
75.00	08	1986843-8
65.00	07	1986843-7
55.00	06	1986843-6
45.00	05	1986843-5
35.00	04	1986843-4
25.00	03	1986843-3
15.00	02	1986843-2
DIM "A"	NO. OF POS.	PART NO.

RECOMMENDED PCB HOLE LAYOUT



THIS DRAWING IS A CONTROLLED DOCUMENT.

DWN PRASHANTH 11DEC 2014  
 CHK PS 12DEC 2014  
 APVD JK 12DEC 2014



DIMENSIONS:	TOLERANCES UNLESS OTHERWISE SPECIFIED:
mm	
	0 PLC ±
	1 PLC ±0.2
	2 PLC ±0.15
	3 PLC ±
	4 PLC ±
	ANGLES ±°
MATERIAL SEE NOTES	FINISH SEE NOTES

PRODUCT SPEC -  
 APPLICATION SPEC -  
 WEIGHT -  
 CUSTOMER DRAWING

NAME EUROSTYLE TERMINAL BLOCK, PCB MOUNT, SPRING TYPE, 90 DEG, SIDE STACKABLE, PITCH 10 mm

SIZE	CAGE CODE	DRAWING NO	RESTRICTED TO
A3	00779	©=1986843	-
SCALE 3:1		SHEET 1 OF 2	REV C

REVISIONS


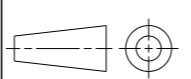
P	LTR	DESCRIPTION	DATE	DWN	APVD
-		SEE SHEET 1	-	-	-

NOTES:

- MATERIALS & FINISH  
 HOUSING : PA6.6 , UL94 V0, COLOR -GREEN  
 SPRING : STEEL  
 CONTACT : BRASS, TIN PLATED  
 PUSH BUTTON : PA66, COLOR - ORANGE.
- MECHANICAL  
 WIRE STRIPPING LENGTH : 10 mm  
 MIN. PCB BOARD HOLES DIAMETER : 1.4 mm  
 MAX. PCB BOARD THICKNESS : 2.4 mm
- ELECTRICAL  
 WIRE RANGE : 12-24 AWG  
 MAX. VOLTAGE : 600 V  
 MAX CURRENT : 16 A  
 CONTACT RESISTANCE : <15 m Ohm  
 INSULATION RESISTANCE : >1000 M Ohm (500V DC)
- OPERATING TEMPERATURE RANGE: -40°C TO +110°C

 TOLERANCE NOT CUMULATIVE.

6. PACKED IN TRAY.

THIS DRAWING IS A CONTROLLED DOCUMENT.		DWN PRASHANTH	11DEC 2014	 TE Connectivity	
DIMENSIONS: mm		CHK PS	12DEC 2014		
		APVD JK	12DEC 2014	NAME EUROSTYLE TERMINAL BLOCK, PCB MOUNT, SPRING TYPE, 90 DEG, SIDE STACKABLE,PITCH 10 mm	
TOLERANCES UNLESS OTHERWISE SPECIFIED:		PRODUCT SPEC		RESTRICTED TO	
0 PLC	±-	APPLICATION SPEC		SIZE	CAGE CODE
1 PLC	±0.2	-		A3	00779
2 PLC	±0.15	-		DRAWING NO	
3 PLC	±-	-		C=1986843	
4 PLC	±-	WEIGHT		-	
ANGLES	±2°	CUSTOMER DRAWING		SCALE	SHEET
MATERIAL	FINISH	-		3:1	2 OF 2
SEE NOTES	-	-		REV C	
-	-	-		-	