

REVISIONS

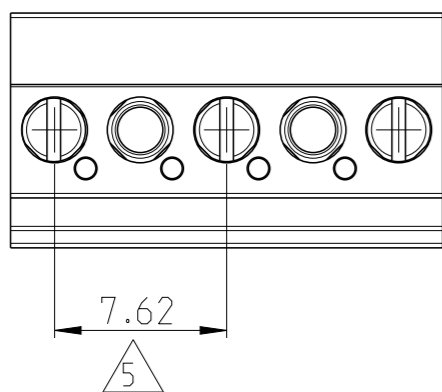
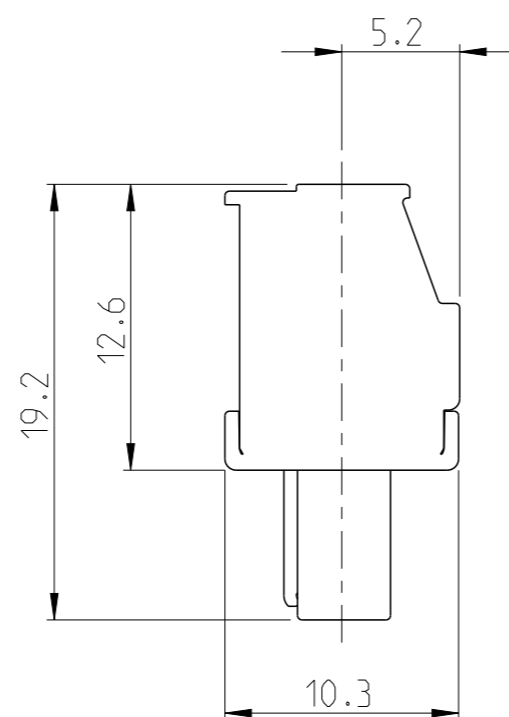
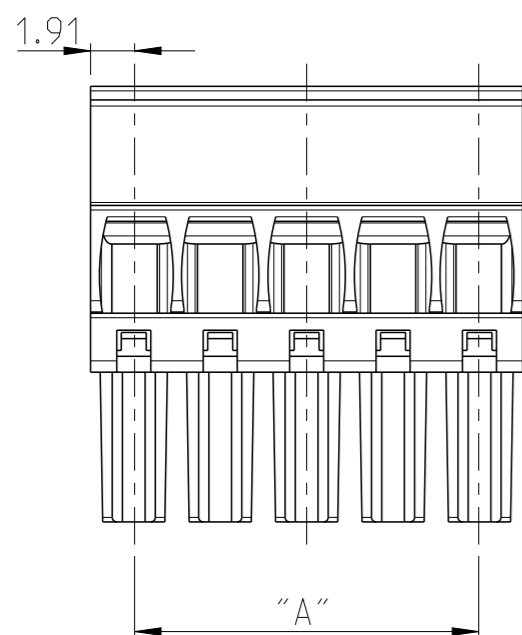
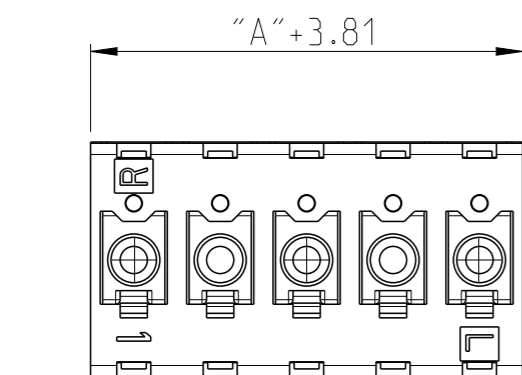
P	LTR	DESCRIPTION	DATE	DWN	APVD
	A	INITIAL RELEASE	02FEB2015	NV	PS

NOTES:

- MATERIALS & FINISH**
 HOUSING : PA6.6 , UL94 V0, COLOUR -GREEN
 SCREW M2 : COPPER ALLOY, NICKEL PLATED
 CLAMP : COPPER ALLOY, NICKEL PLATED
 SPRING CONTACT : COPPER ALLOY, TIN PLATED
- MECHANICAL**
 RECOMMENDED/ HIGHEST TIGHTENING TORQUE : 0.2/ 0.25 Nm
 INSERTION FORCE PER POLE :MAX 3N
 WITHDRAWAL FORCE PER POLE :MIN 1.5N
 WIRE STRIPPING LENGTH: 5 - 6 mm
- ELECTRICAL**
 WIRE RANGE : 30 - 14 AWG
 VOLTAGE RATING : 300 V
 CURRENT RATING : 10 A
 CONTACT RESISTANCE : <15 m Ohm
 INSULATION RESISTANCE : > 1000 M Ohm (500V DC)
- OPERATING TEMPERATURE** -40 °C TO +110 °C

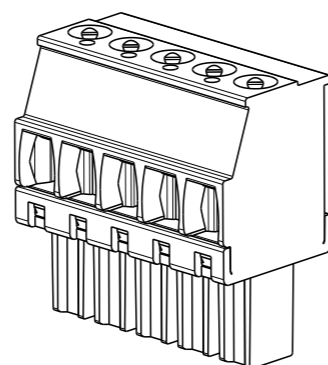
5 TOLERANCE NOT CUMULATIVE

53.34	8	1986918-8
45.72	7	1986918-7
38.10	6	1986918-6
30.48	5	1986918-5
22.86	4	1986918-4
15.24	3	1986918-3
7.62	2	1986918-2
DIM "A"	NO OF POS	PART NUMBER



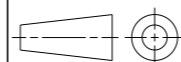
-3 AS SHOWN

2:1



THIS DRAWING IS A CONTROLLED DOCUMENT.

DIMENSIONS: mm



MATERIAL SEE NOTE 1

TOLERANCES UNLESS OTHERWISE SPECIFIED:

0 PLC	±
1 PLC	±0.2
2 PLC	±0.15
3 PLC	±
4 PLC	±
ANGLES	±2°

FINISH SEE NOTE 1

DWN NAGASHREE.V 02FEB2015

CHK PRASHANTH.S 02FEB2015

APVD PRASHANTH.S 02FEB2015

PRODUCT SPEC

APPLICATION SPEC

WEIGHT -

Customer Drawing

STE TE Connectivity

NAME EUROSTYLE FEMALE CONNECTOR, LEFT SIDE STACKABLE, PITCH 7.62mm

SIZE	CAGE CODE	DRAWING NO	RESTRICTED TO
A3	00779	©=1986918	-

SCALE 3:1 SHEET 1 OF 1 REV A