

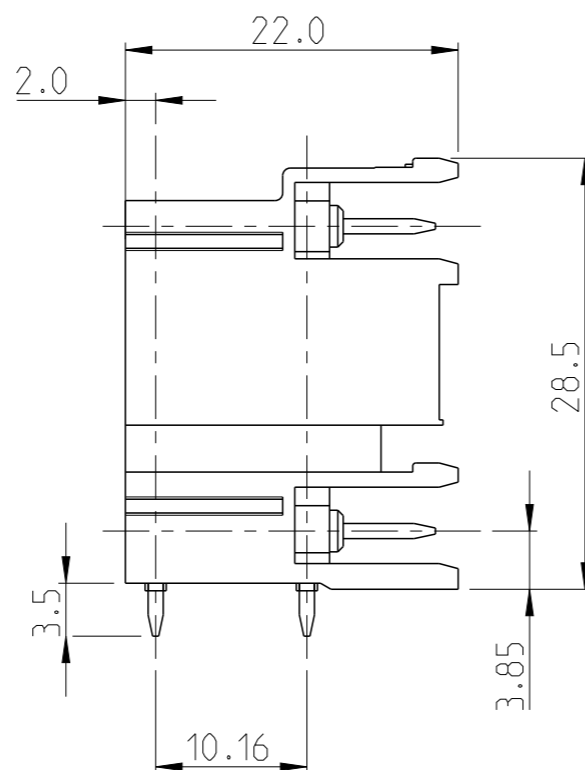
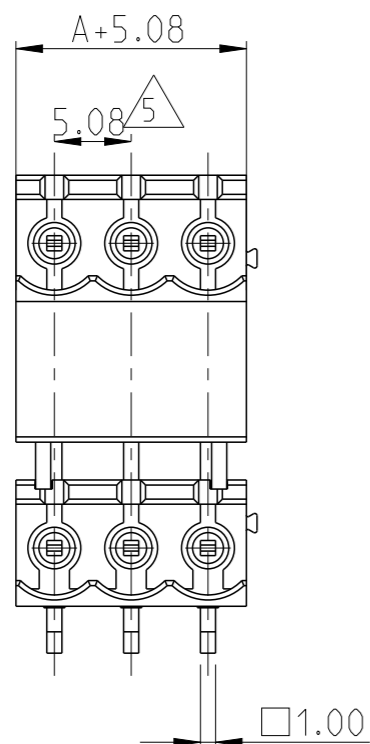
REVISIONS

P	LTR	DESCRIPTION	DATE	DWN	APVD
	A	NEW RELEASE	23DEC2014	CR	JK

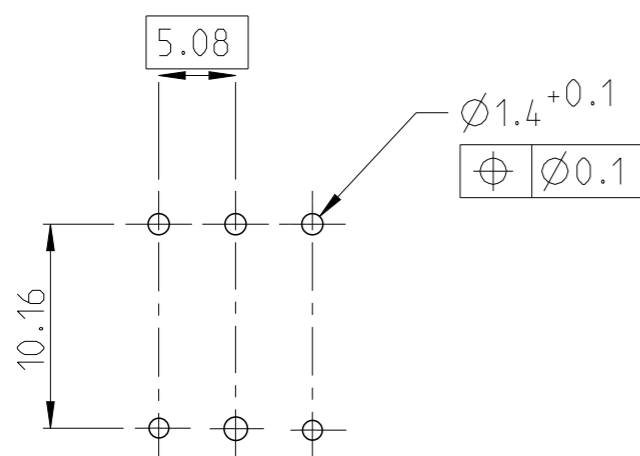
NOTES:

- MATERIALS & FINISH
HOUSING : PA6.6 , UL94 V0, COLOUR -GREEN
PIN : COPPER ALLOY, TIN PLATED
- MECHANICAL
MAXIMUM INSERTION FORCE PER POLE: 3N
MINIMUM WITHDRAWAL FORCE PER POLE: 1.5N
MAXIMUM PCB THICKNESS: 2.4mm
- ELECTRICAL
WIRE RANGE : 30 - 12 AWG
VOLTAGE RATING : 300 V
CURRENT RATING : 15 A
CONTACT RESISTANCE : <15 m Ohm
INSULATION RESISTANCE : > 1000 M Ohm (500V DC)
- OPERATING TEMPERATURE RANGE: -40 °C TO +110 °C

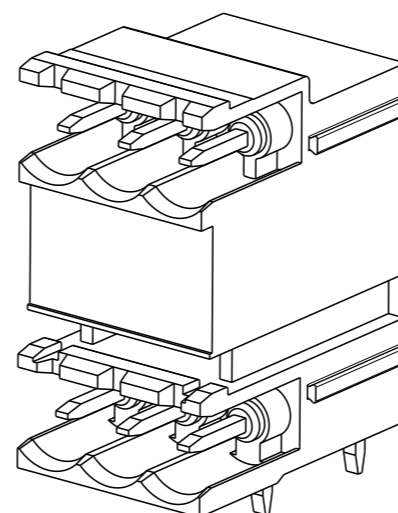
△ TOLERANCE NOT CUMULATIVE



RECOMMENDED PCB HOLE LAYOUT



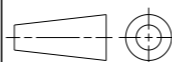
-3 AS SHOWN



10.16	3	1986957-3
5.08	2	1986957-2
DIM "A"	NO OF POS.	PART NUMBER

THIS DRAWING IS A CONTROLLED DOCUMENT.

DIMENSIONS:
mm



MATERIAL
SEE NOTES

TOLERANCES UNLESS OTHERWISE SPECIFIED:

0 PLC	±
1 PLC	±0.2
2 PLC	±0.15
3 PLC	±
4 PLC	±
ANGLES	±2°

FINISH
SEE NOTES

DWN 23DEC2014

CHK CHIRASHREE CR

23DEC2014

APVD PRASHANTH S

23DEC2014

PRASHANTH S

PRODUCT SPEC

-

APPLICATION SPEC

-

WEIGHT

-

NAME
EUROSTYLE HEADER
5.08mm, 90 DEGREE, MODULAR

SIZE CAGE CODE DRAWING NO RESTRICTED TO

A3 00779 C=1986957 -

Customer Drawing SCALE 2:1 SHEET 1 OF 1 REV A

