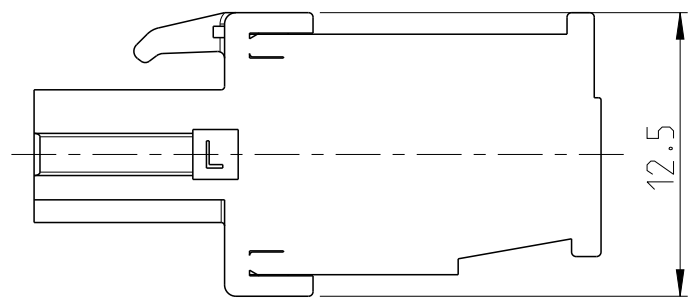
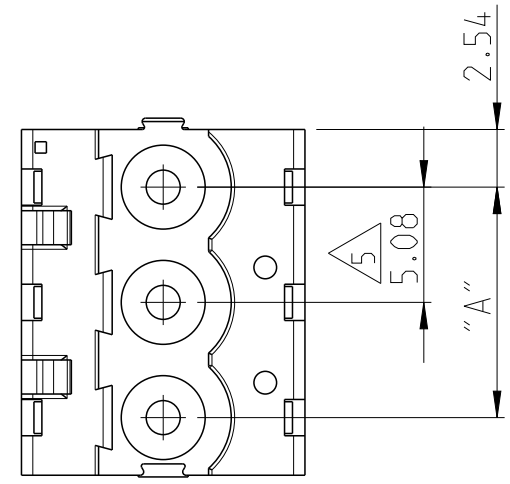
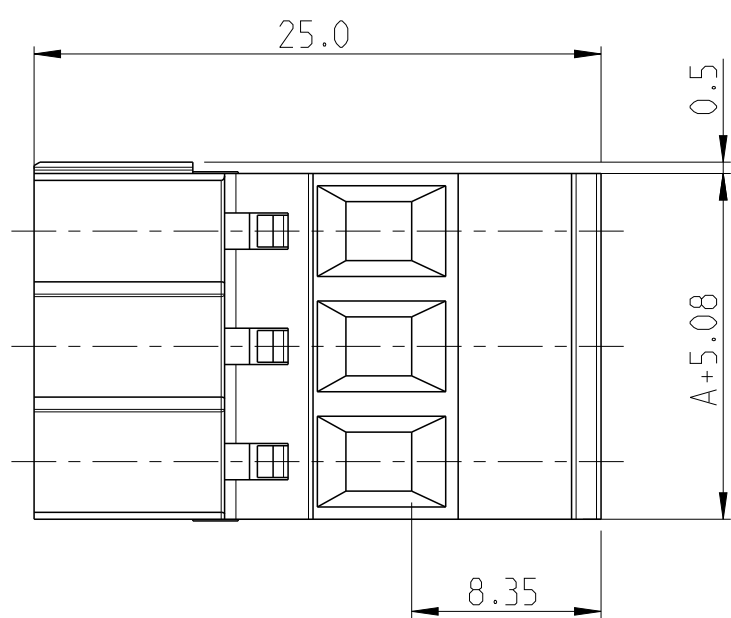


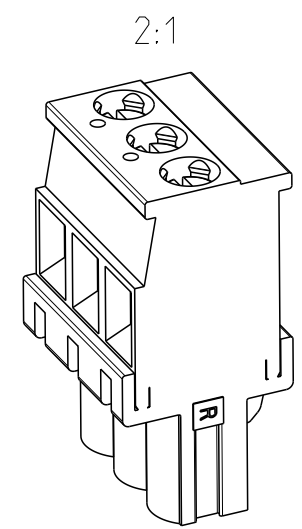
THIS DRAWING IS UNPUBLISHED. RELEASED FOR PUBLICATION 20
 © COPYRIGHT 20 BY - ALL RIGHTS RESERVED.

REVISIONS

P	LTR	DESCRIPTION	DATE	DWN	APVD
	A	INITIAL RELEASE	27JAN2015	NV	PS



-3 AS SHOWN




NOTES:

- MATERIALS & FINISH**
 HOUSING : PA6.6 , UL94 V0, COLOUR -GREEN
 SCREW M3 : COPPER ALLOY, NICKEL PLATED
 CLAMP : COPPER ALLOY, NICKEL PLATED
 SPRING CONTACT : COPPER ALLOY, TIN PLATED
- MECHANICAL**
 RECOMMENDED/ HIGHEST TIGHTENING TORQUE : 0.5/0.6 Nm
 INSERTION FORCE PER POLE :MAX 3 N
 WIRE STRIPPING LENGTH: 6 - 7.5 mm
 WITHDRAWAL FORCE PER POLE:MIN 1.5N
- ELECTRICAL**
 WIRE RANGE : 30 - 12 AWG
 VOLTAGE RATING : 300 V
 CURRENT RATING : 15 A
 CONTACT RESISTANCE : <15 m Ohm
 INSULATION RESISTANCE : > 1000 M Ohm (500V DC)
- OPERATING TEMPERATURE BETWEEN -40 °C TO +110 °C

△ TOLERANCE NOT CUMULATIVE

55.88	12	1-1986979-2
50.80	11	1-1986979-1
45.72	10	1-1986979-0
40.64	9	1986979-9
35.56	8	1986979-8
30.48	7	1986979-7
25.40	6	1986979-6
20.32	5	1986979-5
15.24	4	1986979-4
10.16	3	1986979-3
5.08	2	1986979-2
DIM "A"	NO OF POS	PART NUMBER

THIS DRAWING IS A CONTROLLED DOCUMENT.		DWN NAGASHREE.V 27JAN2015	 TE Connectivity					
DIMENSIONS: mm		CHK PRASHANTH.S 27JAN2015			NAME EUROSTYLE PLUG, MODULAR PITCH 5.08mm, LEFT VERSION			
TOLERANCES UNLESS OTHERWISE SPECIFIED:		APVD PRASHANTH.S 27JAN2015						
0 PLC ± 1 PLC ±0.2 2 PLC ±0.15 3 PLC ± 4 PLC ± ANGLES ±°		PRODUCT SPEC -	APPLICATION SPEC -	SIZE A3	CAGE CODE 00779	DRAWING NO C-1986979	RESTRICTED TO -	
MATERIAL SEE NOTE 1		FINISH SEE NOTE 1	WEIGHT -	Customer Drawing		SCALE 3:1	SHEET 1 OF 1	REV A